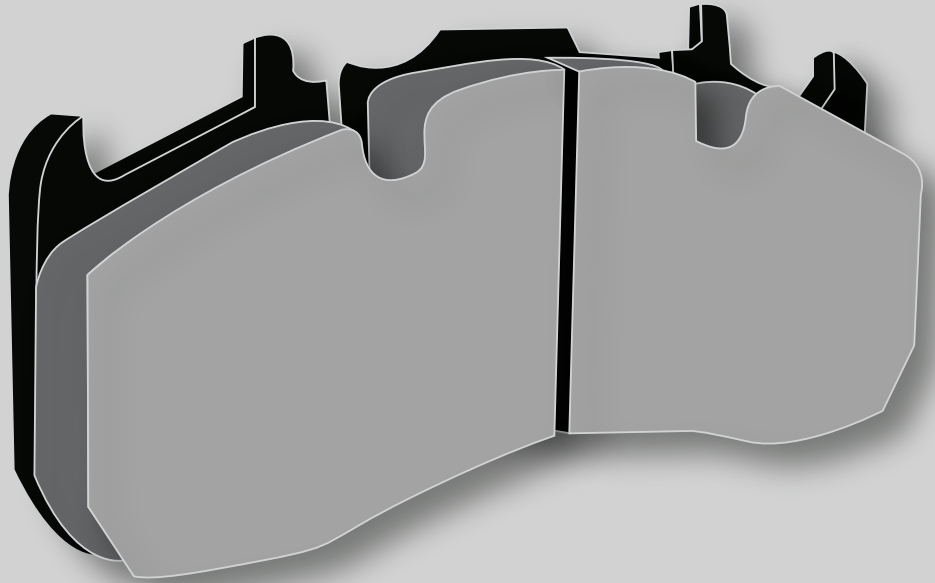


Gold



GLORRY
FUTURE VISION



Catalogue
Cross References
Technical Dimensions

Disc Brake Pads For Commercial Vehicles

CERTIFICATE

IQR CERTIFICATION

**NOMAD OTOMOTİV YEDEK PARÇA DIŞ
TİCARET PAZARLAMA LİMİTED ŞİRKETİ
GLORRY**

İKİTELLİ OSB MAH. ESKOOP SAN. SİT. A3-1 BLOK NO:161
BAŞAKŞEHİR / İSTANBUL / TÜRKİYE

*Has been assessed and found to Comply with the Requirements of:
Denetlenmiş ve aşağıdaki standardın gerekliliklerine uygunluğu görülmüştür:*

ISO 10002:2018

*The Customer Satisfaction and Complaint Management System is applicable to:
Müşteri Memnuniyeti ve Şikayet Yönetim Sistemi:*

IMPORT AND EXPORT OF AUTOMOTIVE SPARE PARTS
OTOMOTİV YEDEK PARÇALARIN İTHALATI VE İHRACATI

Certificate Number: ISO-02992
Belge Numarası: ISO-02992

Initial Certification Date: 21.08.2019
İlk Belgelendirme Tarihi: 21.08.2019

Certification Period: 3 Years
Belgelendirme Periyodu: 3 Yıl

Certificate Validity Date: 20.08.2020
Belge Geçerlilik Tarihi: 20.08.2020



IQR ULUSLARARASI BELGELENDİRME HİZMETLERİ LTD. ŞTİ.
Beşevler mah. Kocayunus sok. No:3 Arslan Han İş merkezi K:2 Nilüfer / BURSA
Tel.: +90.224.266.00.16 Faks: +90.224.249.41.13 www.iqrcert.com e-posta: info@iqrcert.com

CERTIFICATE

IQR CERTIFICATION

**NOMAD OTOMOTİV YEDEK PARÇA DIŞ
TİCARET PAZARLAMA LİMİTED ŞİRKETİ
GLORRY**

İKİTELLİ OSB MAH. ESKOOP SAN. SİT. A3-1 BLOK NO:161
BAŞAKŞEHİR / İSTANBUL / TÜRKİYE

*Has been assessed and found to Comply with the Requirements of:
Denetlenmiş ve aşağıdaki standardın gerekliliklerine uygunluğu görülmüştür:*

ISO 45001:2018

*The Occupational Health and Safety Management System is applicable to:
İş Sağlığı Ve Güvenliği Yönetim Sistemi:*

IMPORT AND EXPORT OF AUTOMOTIVE SPARE PARTS
OTOMOTİV YEDEK PARÇALARIN İTHALATI VE İHRACATI

Certificate Number: ISO-02993
Belge Numarası: ISO-02993

Initial Certification Date: 21.08.2019
İlk Belgelendirme Tarihi: 21.08.2019

Certification Period: 3 Years
Belgelendirme Periyodu: 3 Yıl

Certificate Validity Date: 20.08.2020
Belge Geçerlilik Tarihi: 20.08.2020



IQR ULUSLARARASI BELGELENDİRME HİZMETLERİ LTD. ŞTİ.
Beşevler mah. Kocayunus sok. No:3 Arslan Han İş merkezi K:2 Nilüfer / BURSA
Tel.: +90.224.266.00.16 Faks: +90.224.249.41.13 www.iqrcert.com e-posta: info@iqrcert.com

CERTIFICATE

IQR CERTIFICATION

**NOMAD OTOMOTİV YEDEK PARÇA DIŞ
TİCARET PAZARLAMA LİMİTED ŞİRKETİ
GLORRY**

İKİTELLİ OSB MAH. ESKOOP SAN. SİT. A3-1 BLOK NO:161
BAŞAKŞEHİR / İSTANBUL / TÜRKİYE

*Has been assessed and found to Comply with the Requirements of:
Denetlenmiş ve aşağıdaki standardın gerekliliklerine uygunluğu görülmüştür:*

ISO 9001:2015

*The Quality Management System is applicable to:
Kalite Yönetim Sistemi:*

IMPORT AND EXPORT OF AUTOMOTIVE SPARE PARTS
OTOMOTİV YEDEK PARÇALARIN İTHALATI VE İHRACATI

Certificate Number: QMS-07409
Belge Numarası: QMS-07409

Initial Certification Date: 21.08.2019
İlk Belgelendirme Tarihi: 21.08.2019

Certification Period: 3 Years
Belgelendirme Periyodu: 3 Yıl

Certificate Validity Date: 20.08.2020
Belge Geçerlilik Tarihi: 20.08.2020



IQR ULUSLARARASI BELGELENDİRME HİZMETLERİ LTD. ŞTİ.
Beşevler mah. Kocayunus sok. No:3 Arslan Han İş merkezi K:2 Nilüfer / BURSA
Tel.: +90.224.266.00.16 Faks: +90.224.249.41.13 www.iqrcert.com e-posta: info@iqrcert.com

CERTIFICATE

IQR CERTIFICATION

**NOMAD OTOMOTİV YEDEK PARÇA DIŞ
TİCARET PAZARLAMA LİMİTED ŞİRKETİ
GLORRY**

İKİTELLİ OSB MAH. ESKOOP SAN. SİT. A3-1 BLOK NO:161
BAŞAKŞEHİR / İSTANBUL / TÜRKİYE

*Has been assessed and found to Comply with the Requirements of:
Denetlenmiş ve aşağıdaki standardın gerekliliklerine uygunluğu görülmüştür:*

ISO 14001:2015

*The Environmental Management System is applicable to:
Çevre Yönetim Sistemi:*

IMPORT AND EXPORT OF AUTOMOTIVE SPARE PARTS
OTOMOTİV YEDEK PARÇALARIN İTHALATI VE İHRACATI

Certificate Number: EMS-07409
Belge Numarası: EMS-07409

Initial Certification Date: 21.08.2019
İlk Belgelendirme Tarihi: 21.08.2019

Certification Period: 3 Years
Belgelendirme Periyodu: 3 Yıl

Certificate Validity Date: 20.08.2020
Belge Geçerlilik Tarihi: 20.08.2020



IQR ULUSLARARASI BELGELENDİRME HİZMETLERİ LTD. ŞTİ.
Beşevler mah. Kocayunus sok. No:3 Arslan Han İş merkezi K:2 Nilüfer / BURSA
Tel.: +90.224.266.00.16 Faks: +90.224.249.41.13 www.iqrcert.com e-posta: info@iqrcert.com

Index

Mercedes-Benz	Page-3
DAF	Page-11
Iveco	Page-16
MAN	Page-25
Renault	Page-34
Scania	Page-47
Volvo	Page-50
BPW	Page-56
Freuhauf	Page-65
Kassbohrer	Page-67
Meritor	Page-70
SAF	Page-72
Schmitz	Page-80
Berkhof	Page-82
Bova	Page-83
Dennis	Page-86
Irisbus	Page-88
Neoplan	Page-90
Setra	Page-92
Solaris	Page-96
Vanhool	Page-98

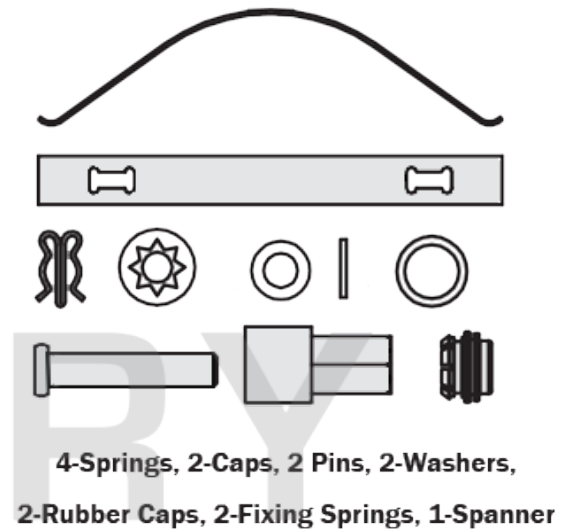
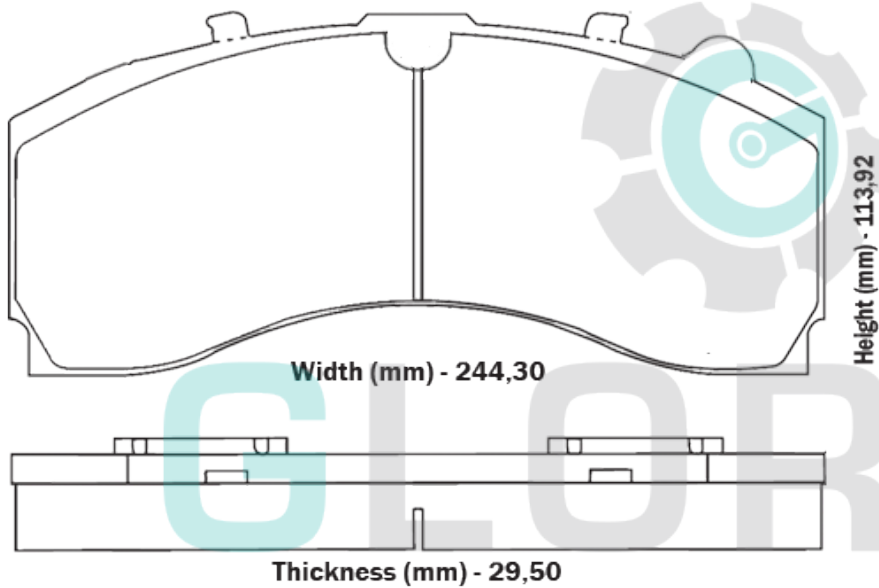
Applications For Vehicle

Mercedes-Benz

WVA Codes	Replaces	Brake System	Product Code
29246	A0064201420	Knorr SM 7	77-0246
29247	A0064205220		GOLD 55-0246
29300			
29301			
29353			
29354			

Please ask for additional information about **GOLD** quality and assembly of repair kits

Front	Rear	Q-ty
<input checked="" type="checkbox"/>	<input type="checkbox"/>	4



Vehicle Model

Actros MP4
Antos
Arocs
Econic

For detailed information please see catalogue back pages

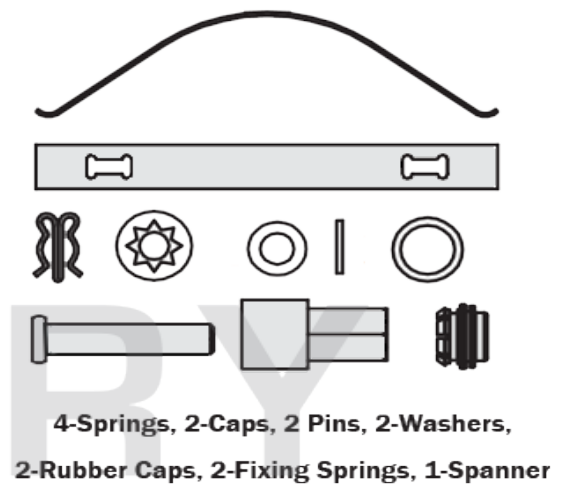
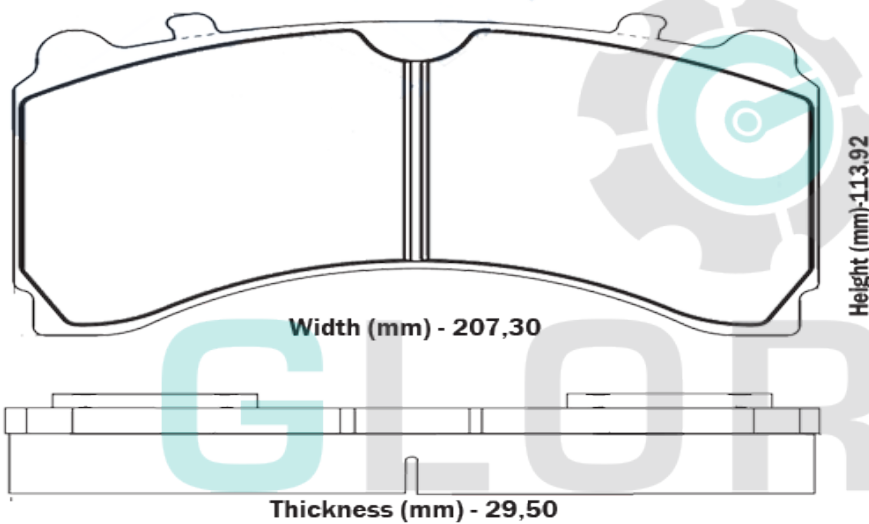
Applications For Vehicle

Mercedes-Benz

WVA Codes	Replaces	Brake System	Product Code
29244	A0064201520	Knorr SL 7	77-0244
29245	A0064205320		GOLD 55-0244

Please ask for additional information about **GOLD** quality and assembly of repair kits

Front	Rear	Q-ty
<input type="checkbox"/>	<input checked="" type="checkbox"/>	4



Vehicle Model

Actros MP4
Antos
Arocs
Econic

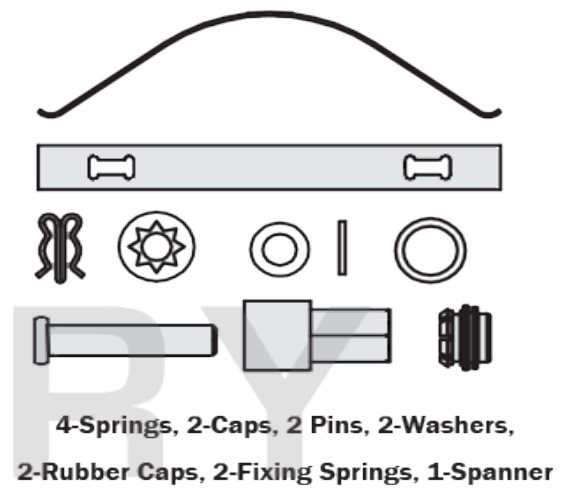
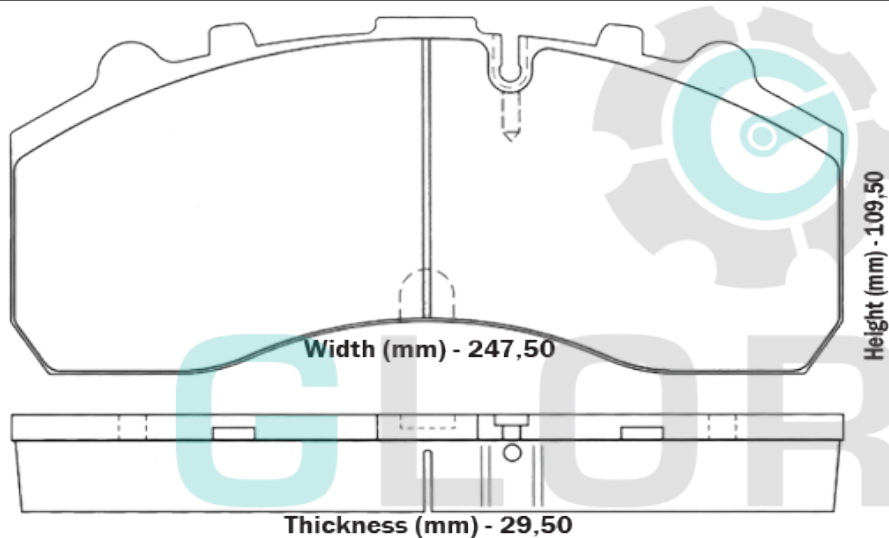
For detailed information please see catalogue back pages

Applications For Vehicle

Mercedes-Benz

WVA Codes	Replaces	Brake System	Product Code
29087	A0004210510	Knorr SB 7000	77-0087 →
29059	A0004211810		GOLD 55-0087
29061	A0004214310		
29108	A0004236610		
29163	A0024204920		
29179	A0024204970		
29201	A0024207020	Front	Rear
29105	A0024207720	✓	✓
29106	A0034201020		Q-ty
29108	A0034201620		4
29109	A0034202020		
29154	A0034202220		
29253	A0034203220		
29278	A0034203520		
29108	A0044206020		
29109	A0064201020		
29154	A6264230010		
29253			
29278			
29108			
29109			
29154			
29253			
29278			

Please ask for additional information about **GOLD** quality and assembly of repair kits



Vehicle Model

Actros	MK
Actros MP2, MP3	NG
Antos	City
Arocs	OF Series
Axor	SK
Citaro-530	Tourismo-350
Cito-520	Touro-500
Conecto-345	Travego-580
Econic	
Integro-550	
Intouro	

For detailed information please see catalogue back pages

Applications For Vehicle

Mercedes-Benz

WVA Codes
29158
29269

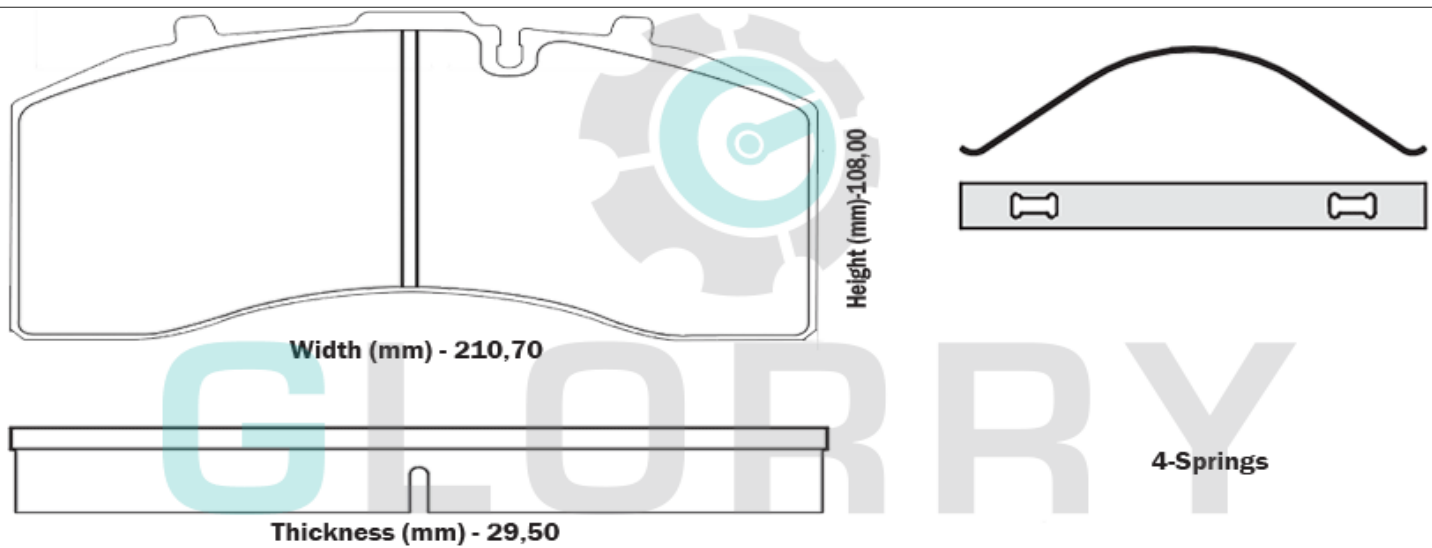
Replaces
A0044207020

Brake System
Knorr SK 7

Product Code
77-0158 →
GOLD 55-0158

Please ask for additional information about **GOLD** quality and assembly of repair kits

Front **Rear** **Q-ty**
■ 4



Vehicle Model

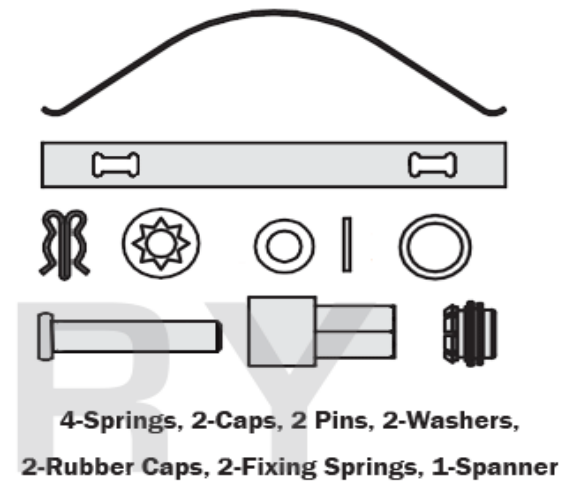
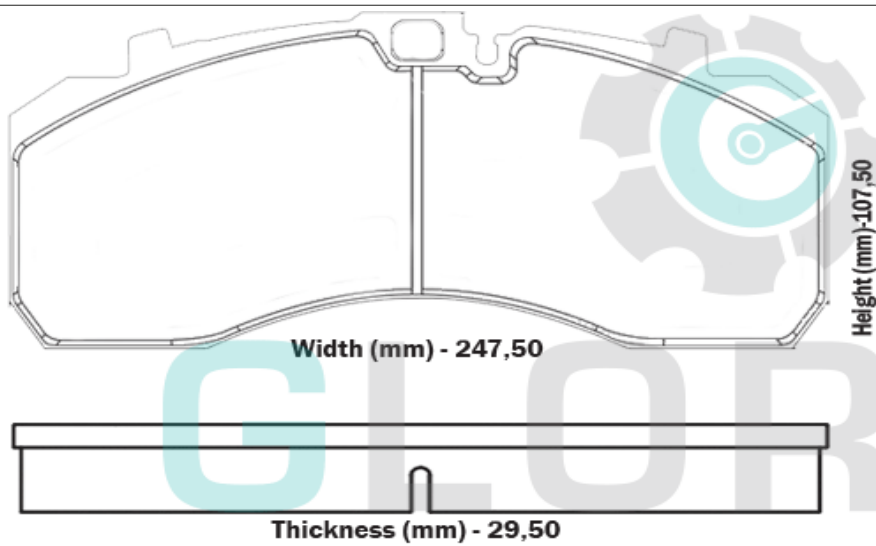
For detailed information please see catalogue back pages

Applications For Vehicle

Mercedes-Benz

WVA Codes	Replaces	Brake System	Product Code
29278	A0004210510	Knorr SN7/SB7	77-0253 →
29253	A0004211810		GOLD 55-0253
	A0004214310		
	A0004236610		
	A0024204920		
	A0024207020		
	A0034201020	Front	Q-ty
	A0034201620	✓	4
	A0034202220	Rear	
	A0034203520	✓	
	A0044202220		
	A0044206020		
	A0064201020		
	A0064201120		

Please ask for additional information about **GOLD** quality and assembly of repair kits



Vehicle Model

Accel	Econic
Actros	Integro 550
Actros MP2, MP3	Intouro
Antos	Mk
Arocs	Tourismo
Atego	Of Series
Atego 2	T2/L
Atego 3	Tourino 510
Axor	Tourismo 350
Axor 2	Touro 500
Capacity 530	Travego 580
Citaro 530	Unimog
Cito 520	
Conecto 345	

For detailed information please see catalogue back pages

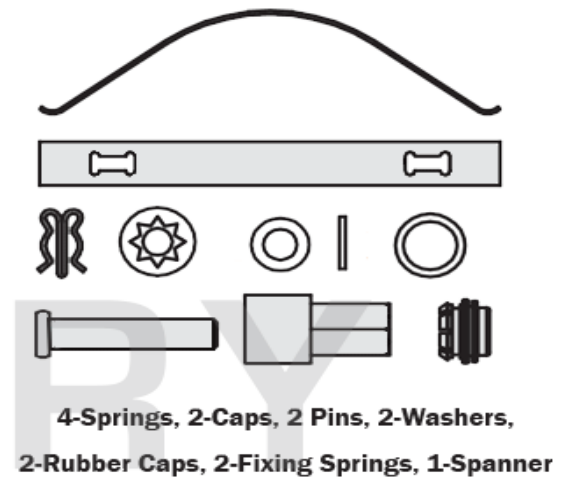
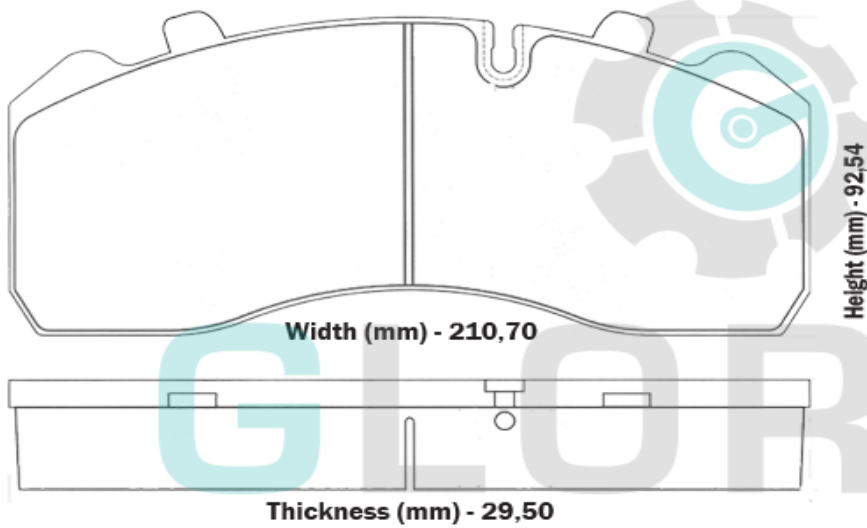
Applications For Vehicle

Mercedes-Benz

WVA Codes	Replaces	Brake System	Product Code
29094	A0004210710	Knorr SB 6000	77-0094 →
29093	A0004210810		GOLD 55-0094
29095	A0004215010		
29197	A0014211710		
	A0024207820		
	A0024207920		
	A0044201320		
	A0054202320		
	A0084205920		

Please ask for additional information about **GOLD** quality and assembly of repair kits

Front	Rear	Q-ty
✓		4



Vehicle Model

Atego
 Atego 2
 Atego 3
 Tourino 510

For detailed information please see catalogue back pages

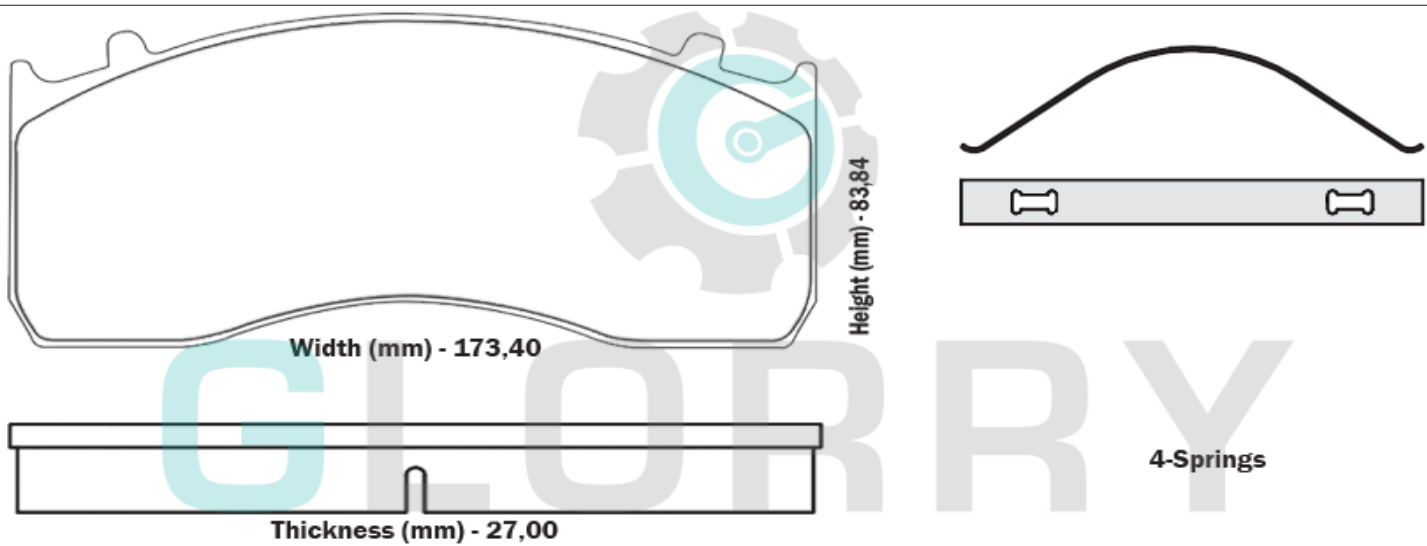
Applications For Vehicle

Mercedes-Benz

WVA Codes	Replaces	Brake System	Product Code
29115	A0004211010 A0004211210 A0014210510 A0014210610 A0014212510 A0014212610 A0034201120 A0034201220 A0034206620 A0034207220 A0034207320 A0044206120 A0084206620	Knorr SB 5000	77-0148-TR → GOLD 55-0148-TR

Please ask for additional information about **GOLD** quality and assembly of repair kits

Front	Rear	Q-ty
✓	✓	4



Vehicle Model

Accelo
Antos
Atego
Atego 2
Atego 3

For detailed information please see catalogue back pages

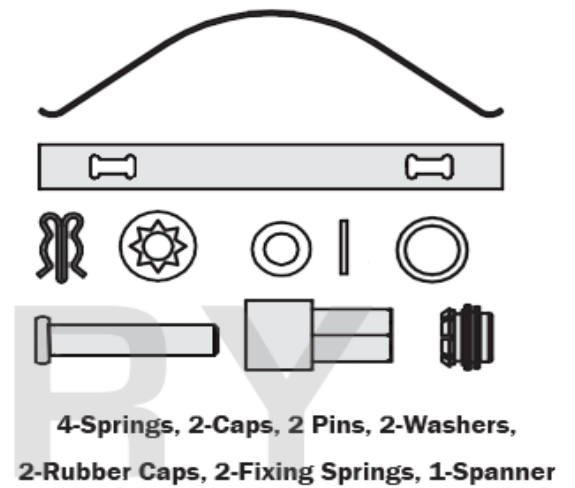
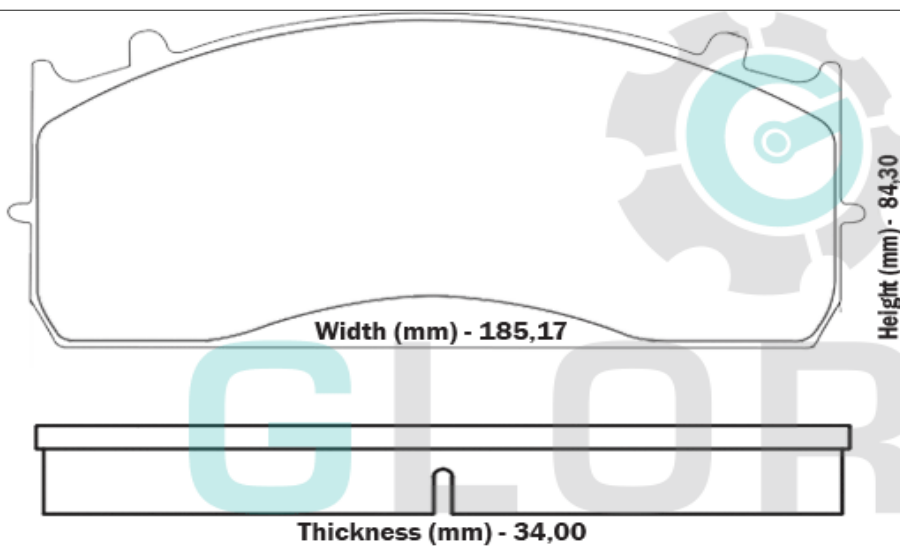
Applications For Vehicle

Mercedes-Benz

WVA Codes	Replaces	Brake System	Product Code
29148	A0004211010	Knorr SB 5000	77-0148-EU →
	A0004211210		GOLD 55-0148-EU
	A0014210510		
	A0014210610		
	A0014212510		
	A0014212610		
	A0034201120		
	A0034201220		
	A0034206620		
	A0034207220		
	A0034207320		
	A0044206120		
	A0084206620		

Please ask for additional information about **GOLD** quality and assembly of repair kits

Front	Rear	Q-ty
✓	✓	4



Vehicle Model

- Accelo
- Antos
- Atego
- Atego 2
- Atego 3

For detailed information please see catalogue back pages

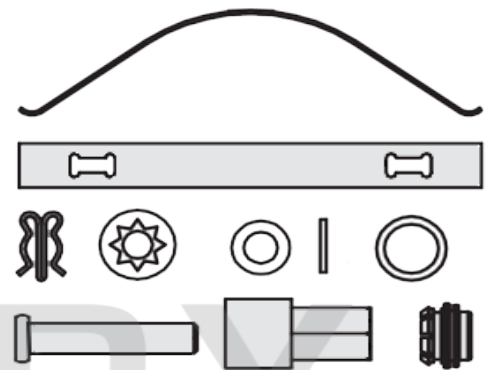
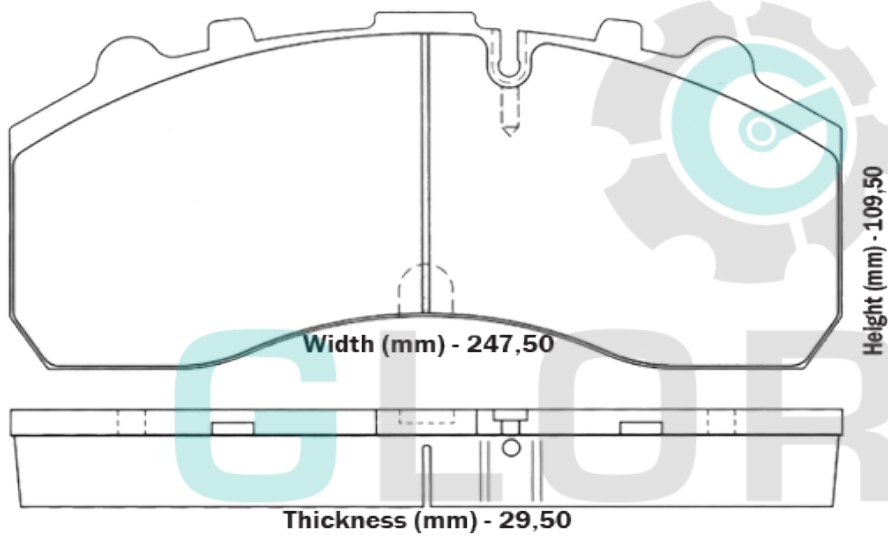
Applications For Vehicle

Daf

WVA Codes	Replaces	Brake System	Product Code
29087	1439324	Knorr SB 7000	77-0087 →
29059	1617343		GOLD 55-0087
29061	1797053		
29108	1800830		
29163	1878030		
29179	1962265		
29201	1982826		
29105			
29106			
29108			
29109			
29154			
29253			
29278			
29108			
29109			
29154			
29253			
29278			
29108			
29109			
29154			
29253			
29278			

Please ask for additional information about **GOLD** quality and assembly of repair kits

Front	Rear	Q-ty
✓	✓	4



4-Springs, 2-Caps, 2 Pins, 2-Washers,
2-Rubber Caps, 2-Fixing Springs, 1-Spanner

Vehicle Model

- 95 XF
- CF
- CF65
- CF75
- CF85
- LF
- LF55
- XF
- XF105
- XF95

For detailed information please see catalogue back pages

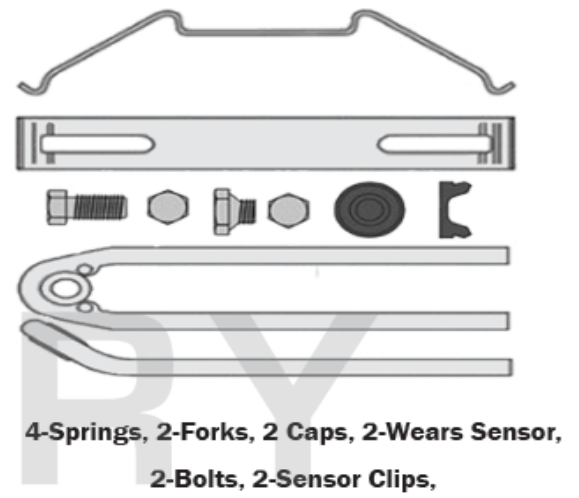
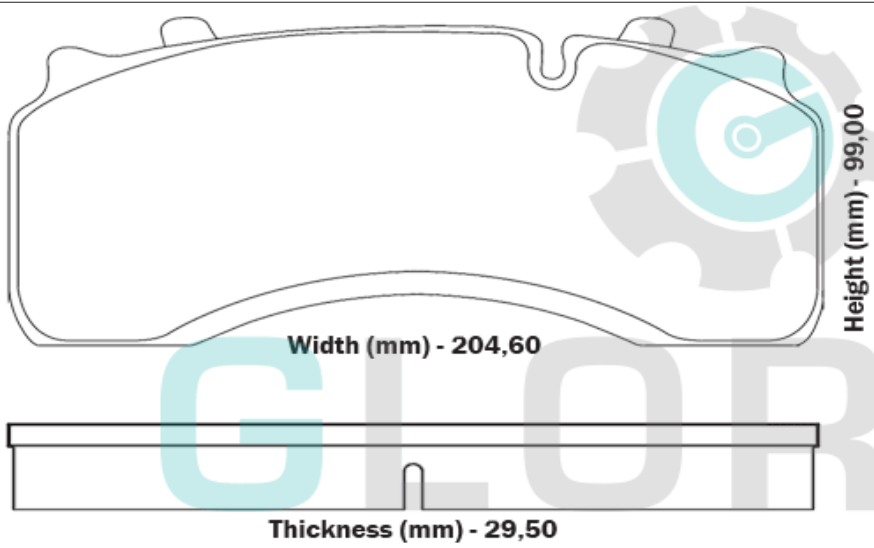
Applications For Vehicle

Daf

WVA Codes 29142	Replaces 1503275 1440504	Brake System Wabco Pan-19/2	Product Code 77-0142 GOLD 55-0142
---------------------------	---------------------------------------	---------------------------------------	--------------------------------------------------------------

Please ask for additional information about **GOLD** quality and assembly of repair kits

Front	Rear	Q-ty
✓		4



Vehicle Model

LF55

For detailed information please see catalogue back pages

Applications For Vehicle

Daf

WVA Codes
29159

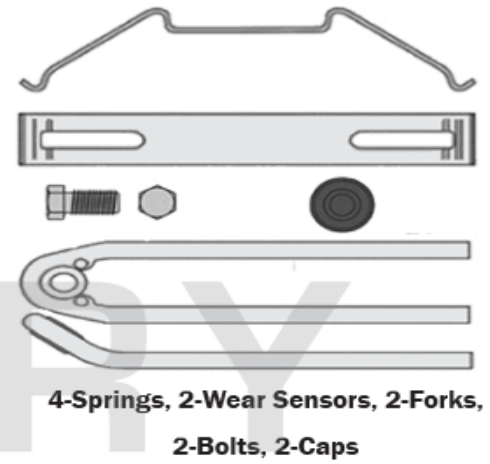
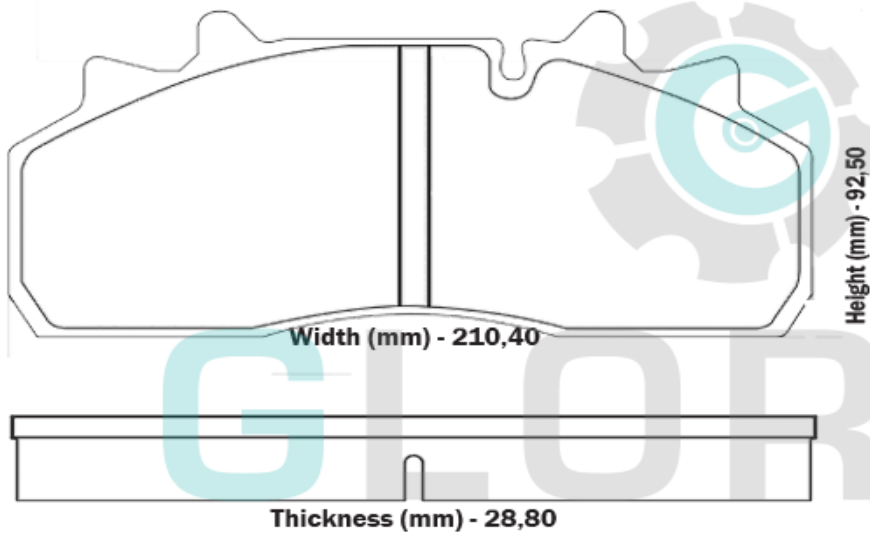
Replaces
1628064

Brake System
Wabco Pan-19/1

Product Code
77-0159 →
GOLD 55-0159

Please ask for additional information about **GOLD** quality and assembly of repair kits

Front **Rear** **Q-ty**
■ **4**



Vehicle Model

CF

For detailed information please see catalogue back pages

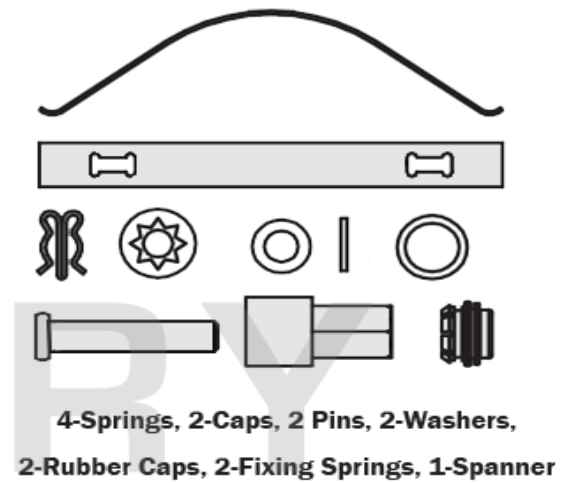
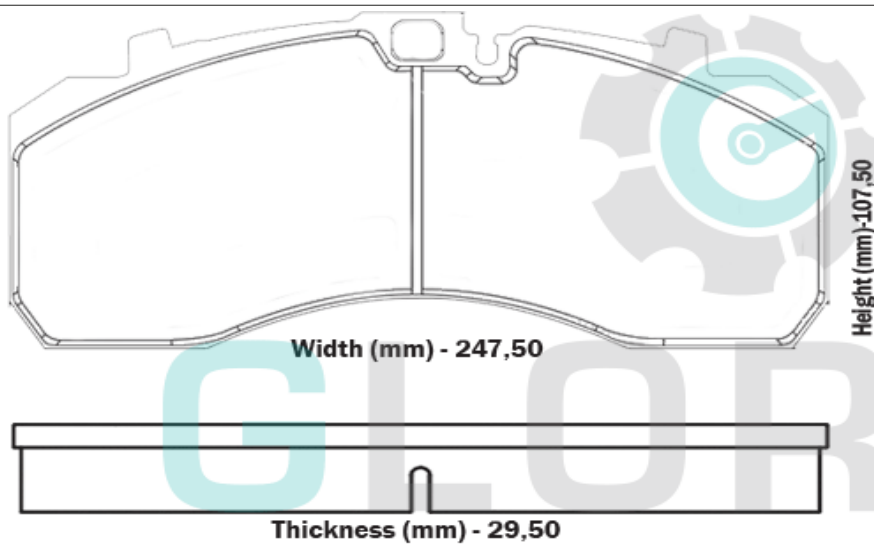
Applications For Vehicle

DAF

WVA Codes	Replaces	Brake System	Product Code
29278	1617343	Knorr SN7/SB7	77-0253 →
29253	1797053		GOLD 55-0253
	1800830		
	1982826		

Please ask for additional information about **GOLD** quality and assembly of repair kits

Front	Rear	Q-ty
✓	✓	4



Vehicle Model

75CF
85CF
95XF
CF
CF65
CF75
CF85
LF45
LF55
SB
XF
XF105
XF95

For detailed information please see catalogue back pages

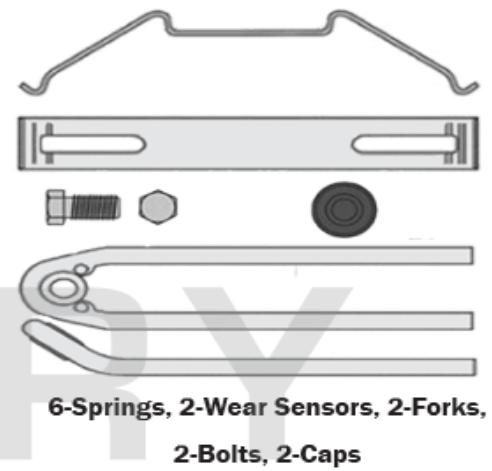
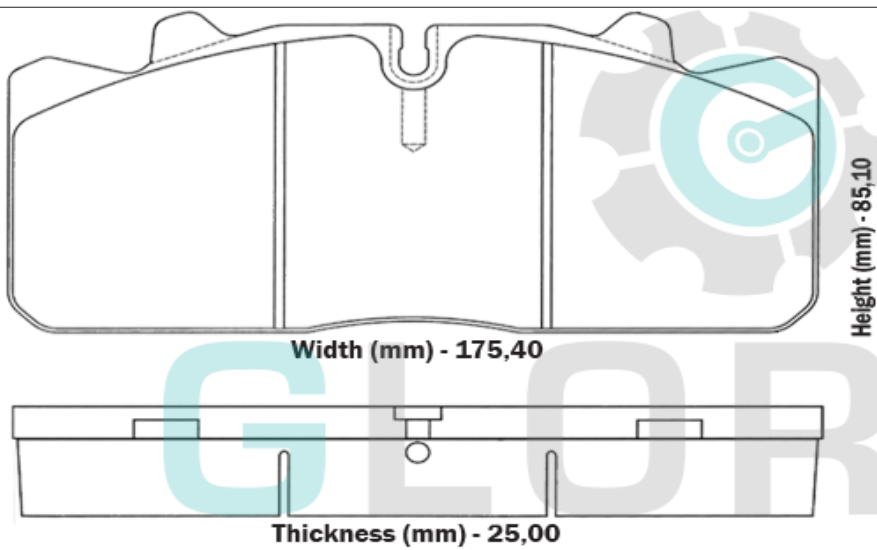
Applications For Vehicle

DAF

WVA Codes	Replaces	Brake System	Product Code
29088	1436901	Wabco PAN 17	77-0088
29091	1505382		GOLD 55-0088
29285	1517392		
	1519146		
	2012161		

Please ask for additional information about **GOLD** quality and assembly of repair kits

Front	Rear	Q-ty
✓	✓	4



Vehicle Model

LF45

For detailed information please see catalogue back pages

Applications For Vehicle

Iveco

WVA Codes
29032

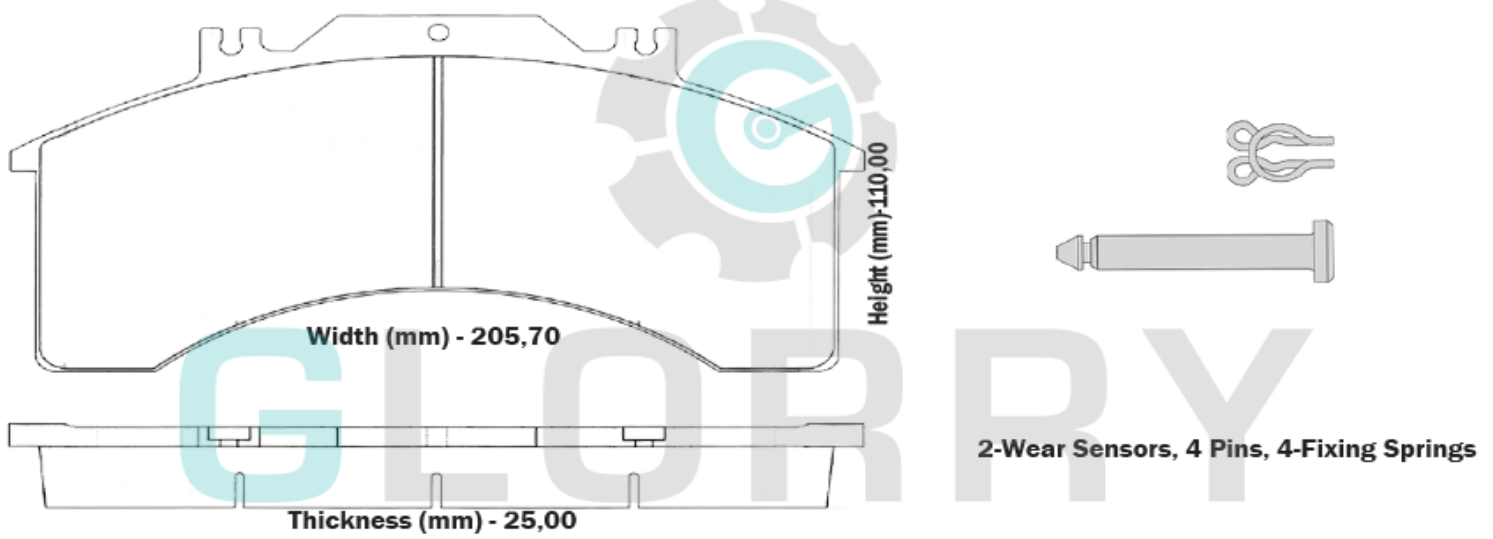
Replaces
1906170
4856911

Brake System
Bendix

Product Code
77-0032 →
GOLD 55-0032

Please ask for additional information about **GOLD** quality and assembly of repair kits

Front	Rear	Q-ty
✓		4



Vehicle Model

EuroCargoI-III
EuroFire

For detailed information please see catalogue back pages

Applications For Vehicle

Iveco

WVA Codes
29067

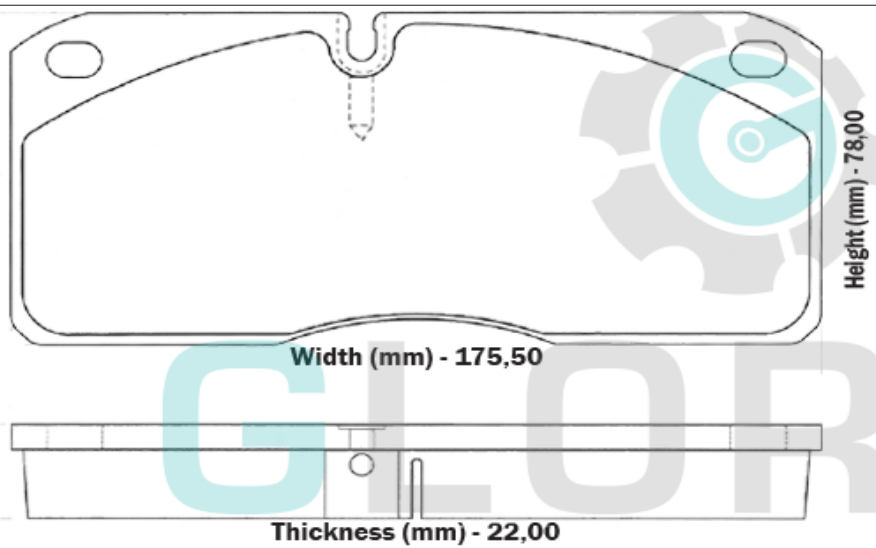
Replaces
1906043
1906197
1906402
1906297

Brake System
Meritor 2X68
Lucas

Product Code
77-0067 →
GOLD 55-0067

Please ask for additional information about **GOLD** quality and assembly of **repair kits**

Front	Rear	Q-ty
✓	✓	4



Vehicle Model

EuroCargoI-III
Zeta

For detailed information please see catalogue back pages

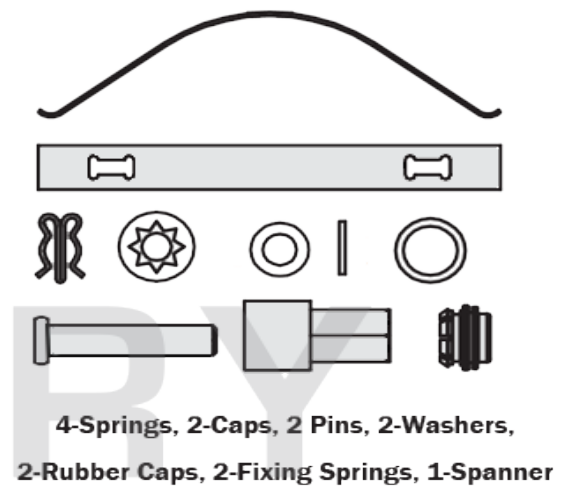
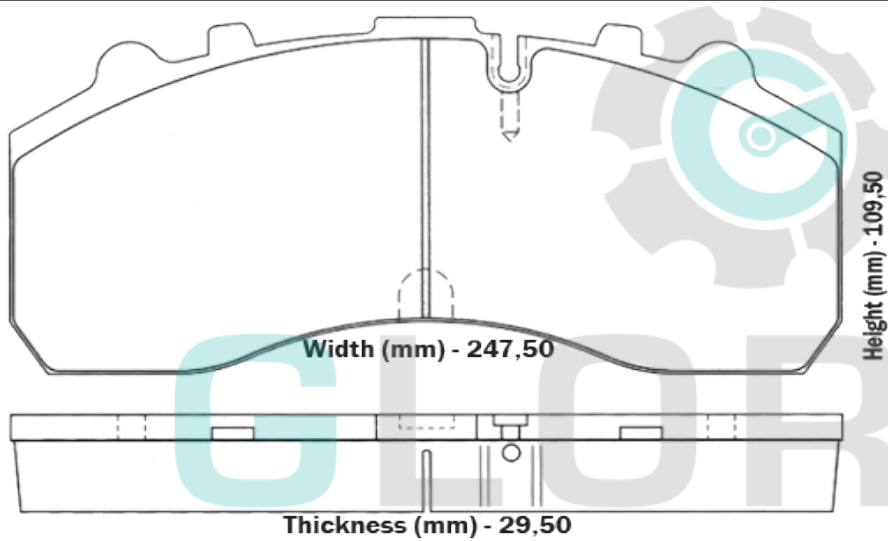
Applications For Vehicle

Iveco

WVA Codes	Replaces	Brake System	Product Code
29087	1906439	Knorr SB 7000	77-0087 →
29059	2992348		GOLD 55-0087
29061	2992476		
29108	2995637		
29163	2995809		
29179	2995819		
29201	2995820		
29105	2995938		
29106	2996189		
29108	2996378		
29109	2996515		
29154	4210510		
29253	41211278		
29278	41212279		
29108	99476098		
29109	500054632		
29154	500055167		
29253			
29278			
29108			
29109			
29154			
29253			
29278			

Please ask for additional information about **GOLD** quality and assembly of repair kits

Front	Rear	Q-ty
✓	✓	4



Vehicle Model

EuroCargo I-III
 EuroStar
 EuroTech MH
 EuroTrakker
 Stralis
 Trakker

For detailed information please see catalogue back pages

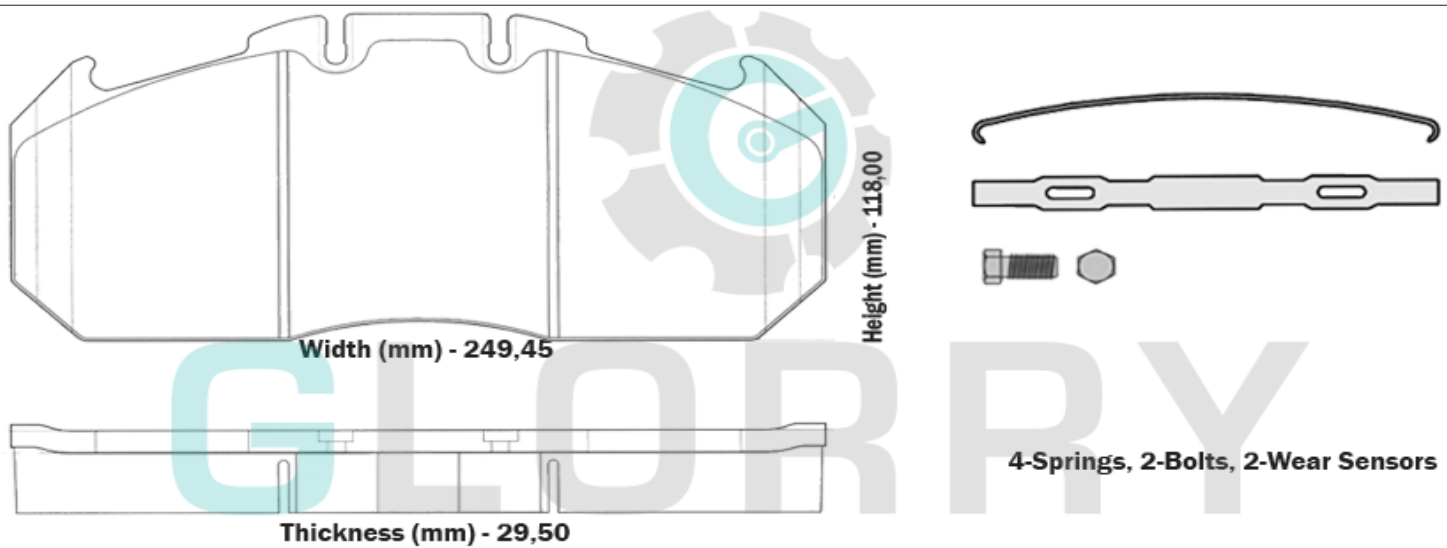
Applications For Vehicle

Iveco

WVA Codes 29131	Replaces 0503142454 2996065 5006028410	Brake System Meritor D-Elsa2	Product Code 77-0131 GOLD 55-0131
---------------------------	--------------------------------------------------------	----------------------------------------	--------------------------------------------------------------

Please ask for additional information about **GOLD** quality and assembly of repair kits

Front	Rear	Q-ty
✓	✓	4



Vehicle Model

EuroCargo I-III
EuroStar
EuroTech MH
EuroTrakker
Stralis
Trakker

For detailed information please see catalogue back pages

Applications For Vehicle

Iveco

WVA Codes
29278
29253

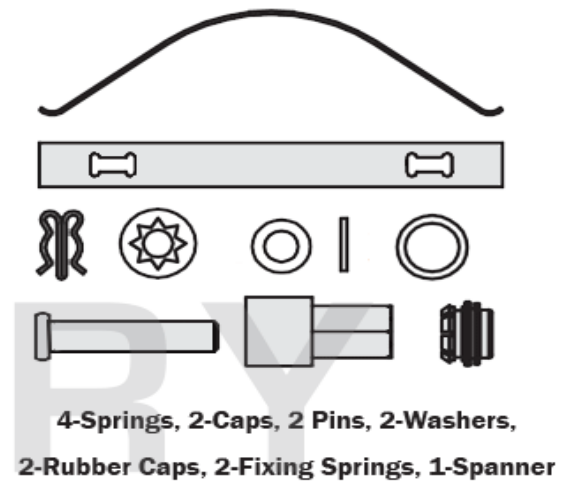
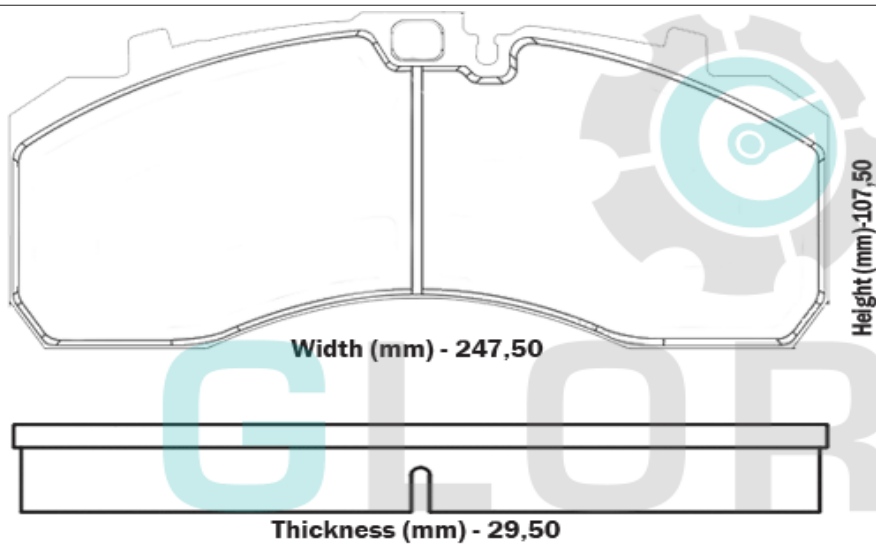
Replaces
2996515
42541062
42567702
42568632
500054632

Brake System
Knorr SN7/SB7

Product Code
77-0253
GOLD 55-0253

Please ask for additional information about **GOLD** quality and assembly of repair kits

Front	Rear	Q-ty
✓	✓	4



Vehicle Model

EuroCargoI-III
EuroStar
EuroTechMP
EuroTrakker
Stralis
Tector
Trakker
Zeta

For detailed information please see catalogue back pages

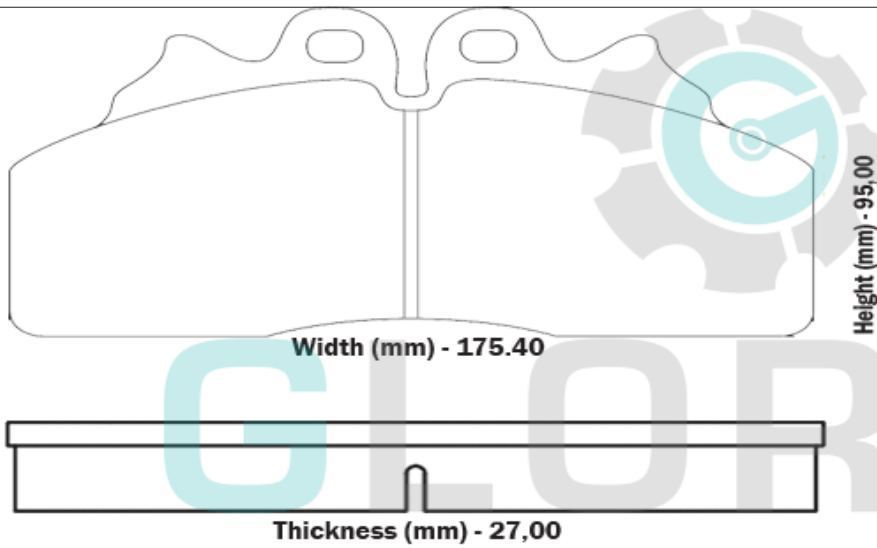
Applications For Vehicle

Iveco

WVA Codes 29256	Replaces 2996518 2996520 42559249	Brake System Brembo PF 2.68	Product Code 77-0256 GOLD 55-0256 →
---------------------------	---------------------------------------------------	---------------------------------------	----------------------------------------------------------------

Please ask for additional information about **GOLD** quality and assembly of repair kits

Front	Rear	Q-ty
✓	✓	4



Vehicle Model

EuroCargoI-III
EuroFire

For detailed information please see catalogue back pages

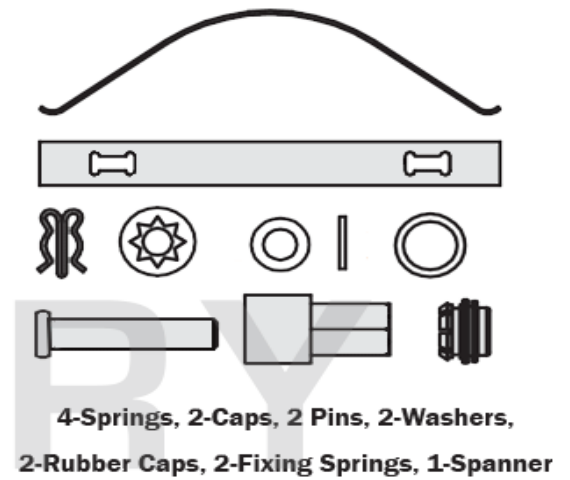
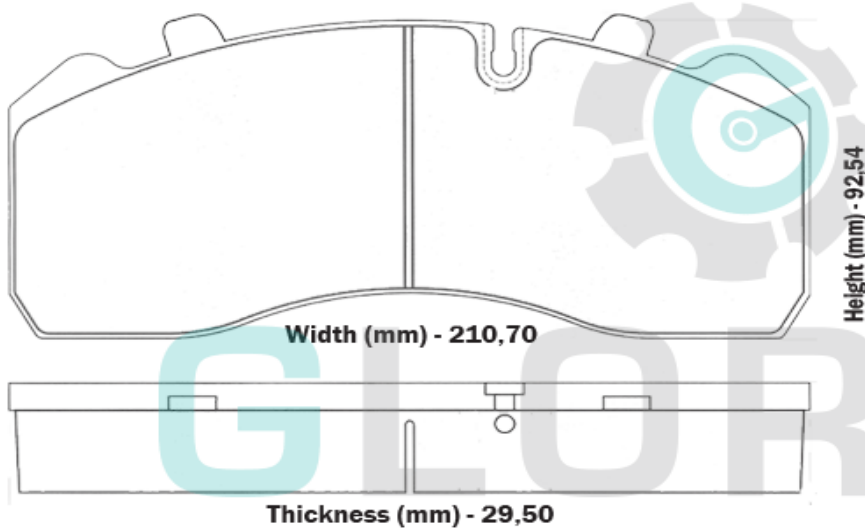
Applications For Vehicle

Iveco

WVA Codes	Replaces	Brake System	Product Code
29094	2992336	Knorr SB 6000	77-0094 →
29093	500055019		GOLD 55-0094
29095	500363646		
29197	2996468		

Please ask for additional information about **GOLD** quality and assembly of repair kits

Front	Rear	Q-ty
<input checked="" type="checkbox"/>	<input type="checkbox"/>	4



Vehicle Model

EuroCargoI-III
EuroFire

For detailed information please see catalogue back pages

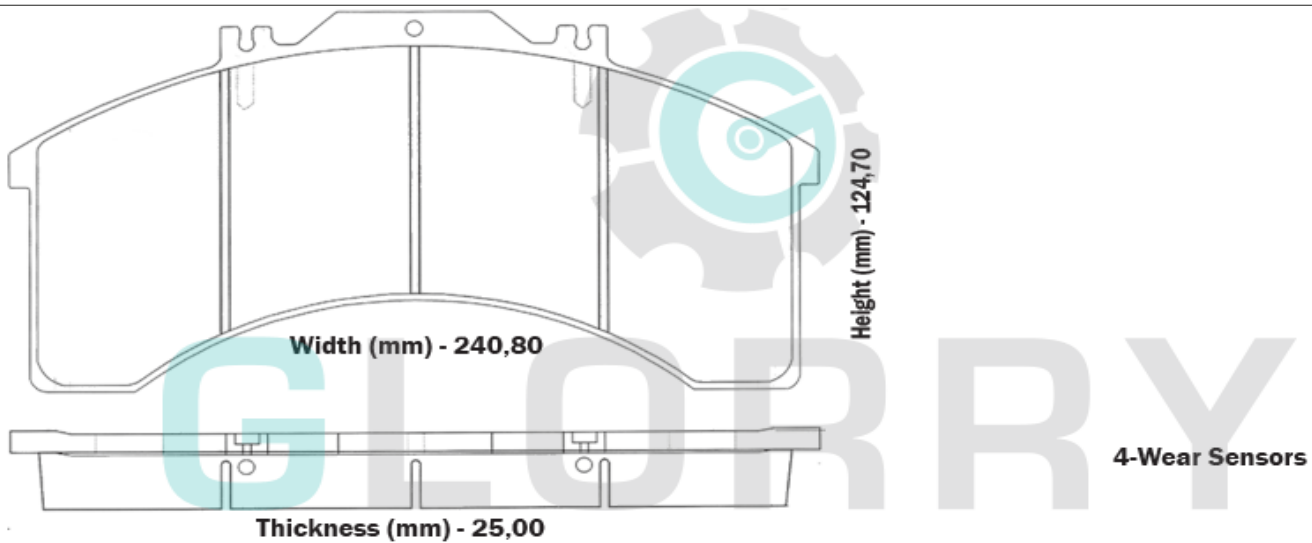
Applications For Vehicle

Iveco

WVA Codes	Replaces	Brake System	Product Code
29011	1906191 2992479 4856912 1906459	Bendix ADB 4300	77-0011 GOLD 55-0011

Please ask for additional information about **GOLD** quality and assembly of **repair kits**

Front	Rear	Q-ty
✓	✓	4



Vehicle Model

EuroCargoI-III
EuroTechMH
EuroTechMP
EuroTechMT

For detailed information please see catalogue back pages

Applications For Vehicle

Iveco

WVA Codes
29088
29091
29285

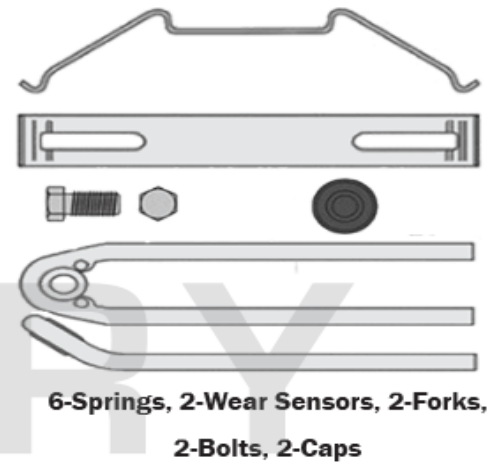
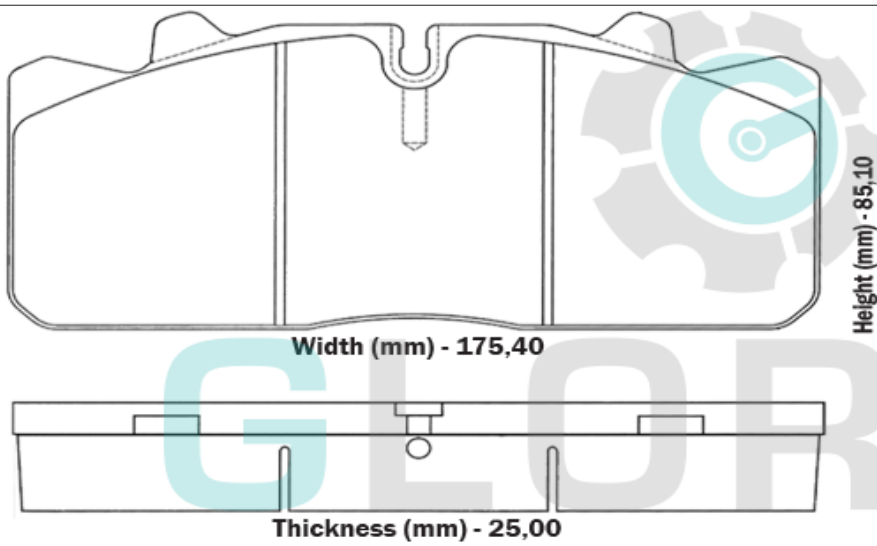
Replaces
1906467

Brake System
Wabco PAN 17

Product Code
77-0088
GOLD 55-0088

Please ask for additional information about **GOLD** quality and assembly of repair kits

Front **Rear** **Q-ty**
✓ ✓ 4



Vehicle Model

EuroCargoI-III
EuroFire

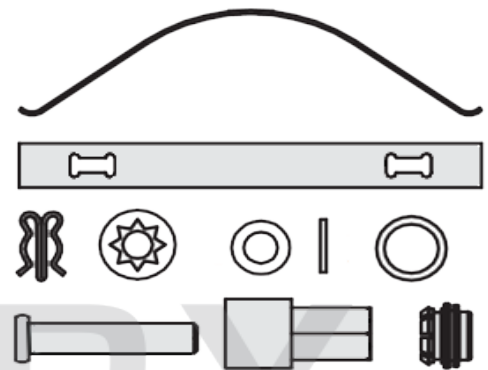
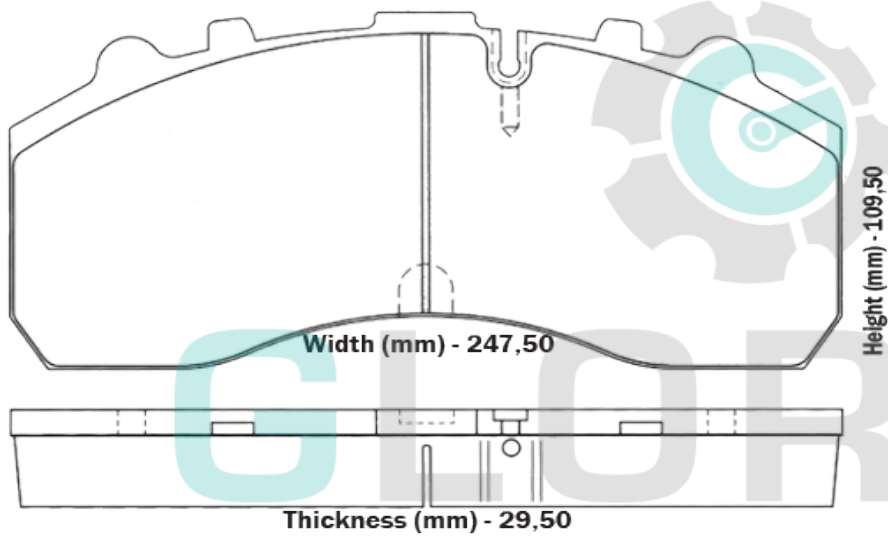
For detailed information please see catalogue back pages

Applications For Vehicle

MAN

WVA Codes	Replaces	Brake System	Product Code	Front	Rear	Q-ty
29087	81508205099	Knorr SB 7000	77-0087			
29059	81508206030		GOLD 55-0087	✓	✓	4
29061	81508206032					
29108	81508206033					
29163	81508206055					
29179	81508206056					
29201	81508206061					
29105	81508206070					
29106						
29108						
29109						
29154						
29253						
29278						
29108						
29109						
29154						
29253						
29278						
29108						
29109						
29154						
29253						
29278						

Please ask for additional information about **GOLD** quality and assembly of repair kits



4-Springs, 2-Caps, 2 Pins, 2-Washers,
2-Rubber Caps, 2-Fixing Springs, 1-Spanner

Vehicle Model

TGA
TGM
TGS
TGX

For detailed information please see catalogue back pages

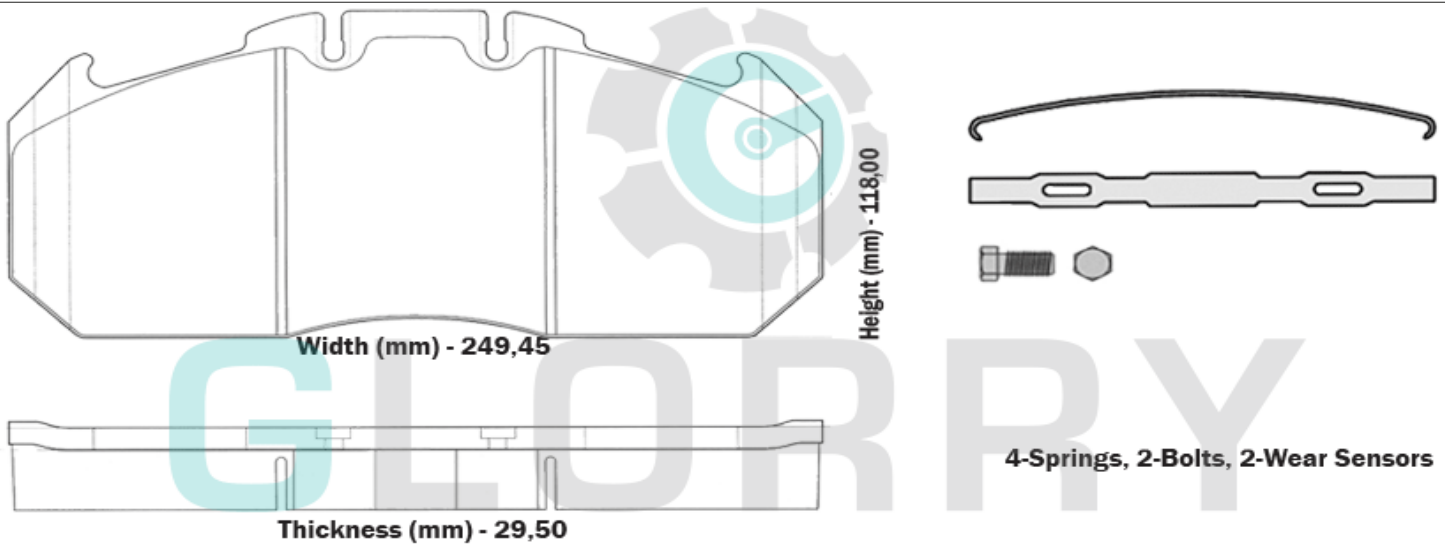
Applications For Vehicle

MAN

WVA Codes	Replaces	Brake System	Product Code
29131	81508205072	Meritor D-Elsa2	77-0131 →
	81508205073		GOLD 55-0131
	81508205080		
	81508206031		
	81508206041		
	81508206051		
	81508206052		

Front	Rear	Q-ty
✓	✓	4

Please ask for additional information about **GOLD** quality and assembly of repair kits



Vehicle Model

TGA

For detailed information please see catalogue back pages

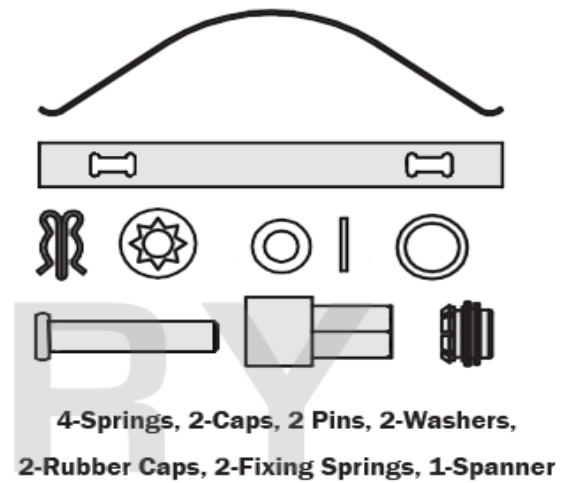
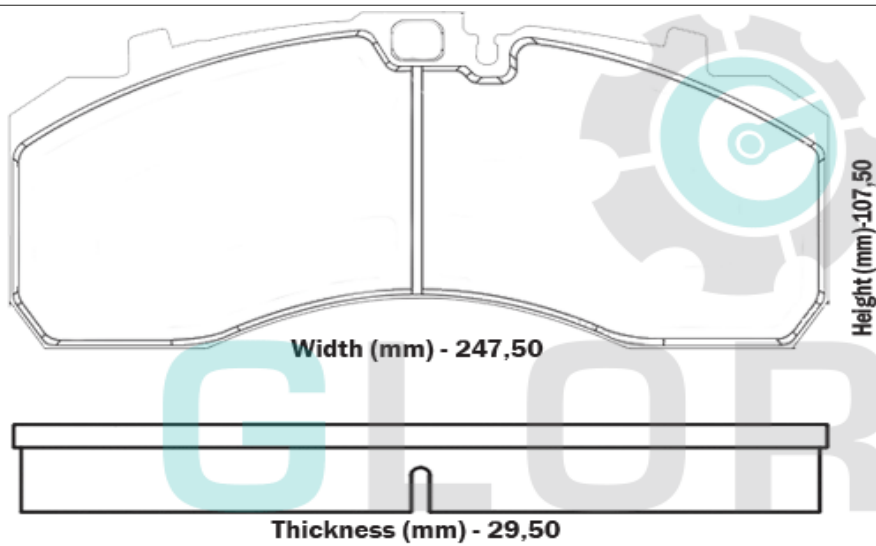
Applications For Vehicle

MAN

WVA Codes	Replaces	Brake System	Product Code
29278	81508205104	Knorr SN7/SB7	77-0253 →
29253	81508206056		GOLD 55-0253
	81508206061		
	81508205099		
	81508206030		
	81508206032		
	81508206033		
	81508206055		

Please ask for additional information about **GOLD** quality and assembly of repair kits

Front	Rear	Q-ty
✓	✓	4



Vehicle Model

Lion City
Lions Regio
TGA
TGM
TGS

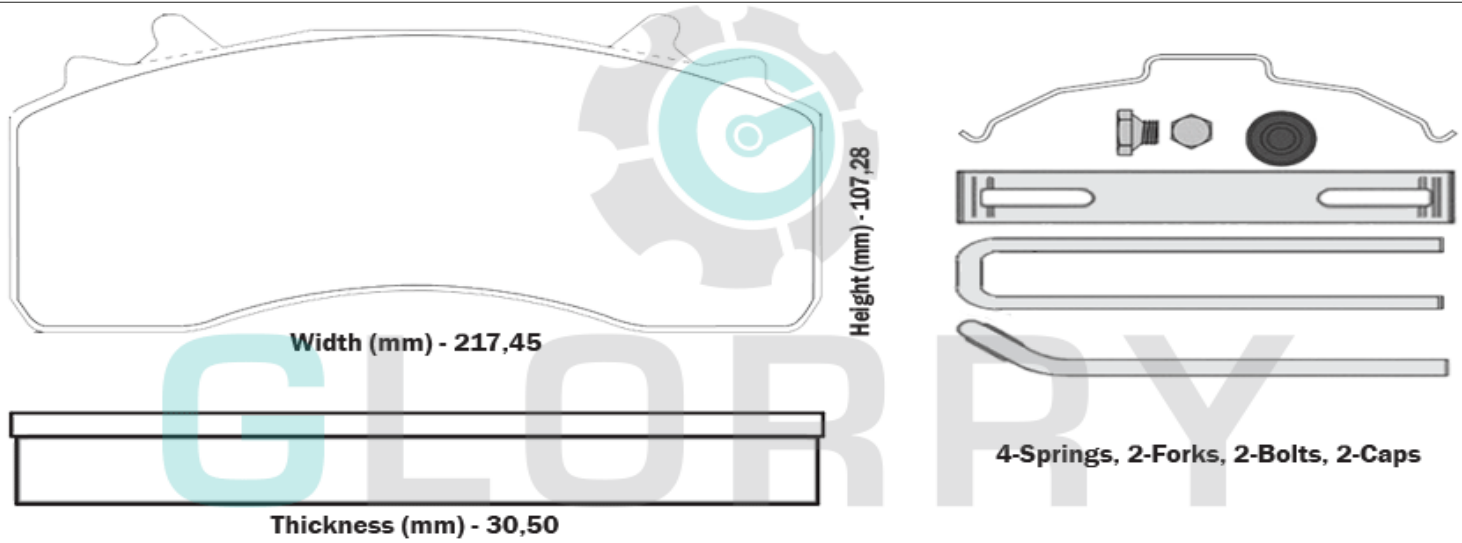
For detailed information please see catalogue back pages

Applications For Vehicle

MAN

WVA Codes 29279	Replaces 6403229242 6403229302 6403229332 81508205108 81508205112 81508206065 81508206066	Brake System Wabco Maxx 22	Product Code 77-0279 → GOLD 55-0279
		Front ✓	Rear ■
		Q-ty 4	

Please ask for additional information about **GOLD** quality and assembly of repair kits



Vehicle Model

TGA
TGX
TGS

For detailed information please see catalogue back pages

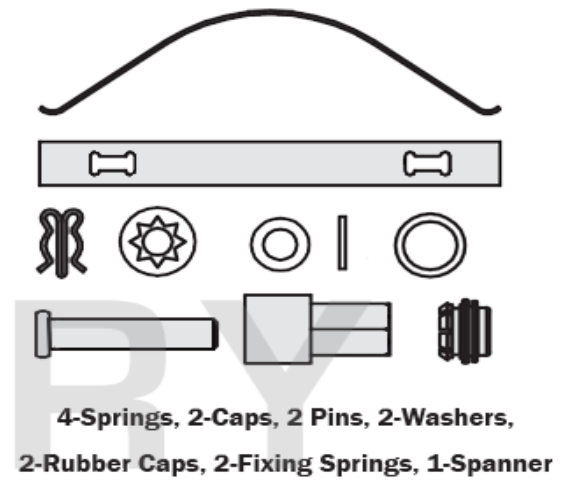
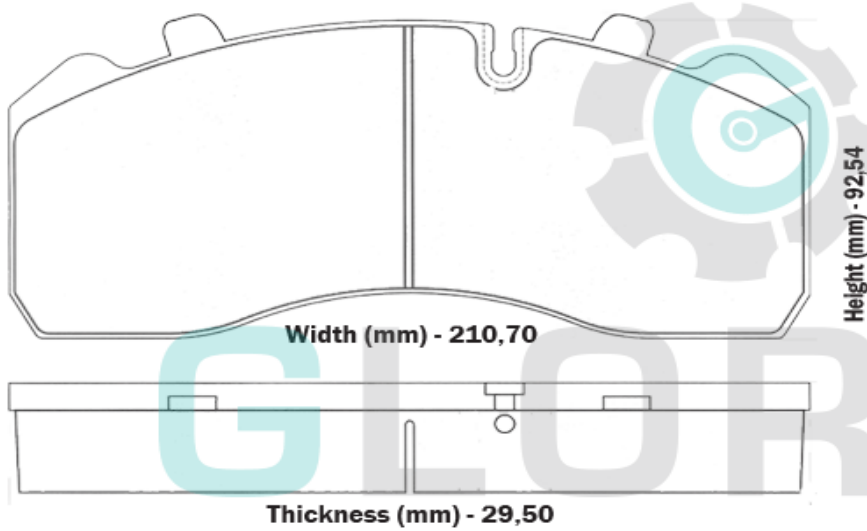
Applications For Vehicle

MAN

WVA Codes	Replaces	Brake System	Product Code
29094	81508205017	Knorr SB 6000	77-0094 →
29093	81508205098		GOLD 55-0094
29095	81508206008		
29197	81508206022		
	81508206058		
	81508206059		
	81508206060		
	81508206064		

Front	Rear	Q-ty
✓		4

Please ask for additional information about **GOLD** quality and assembly of repair kits



Vehicle Model

M2000L
TGM

For detailed information please see catalogue back pages

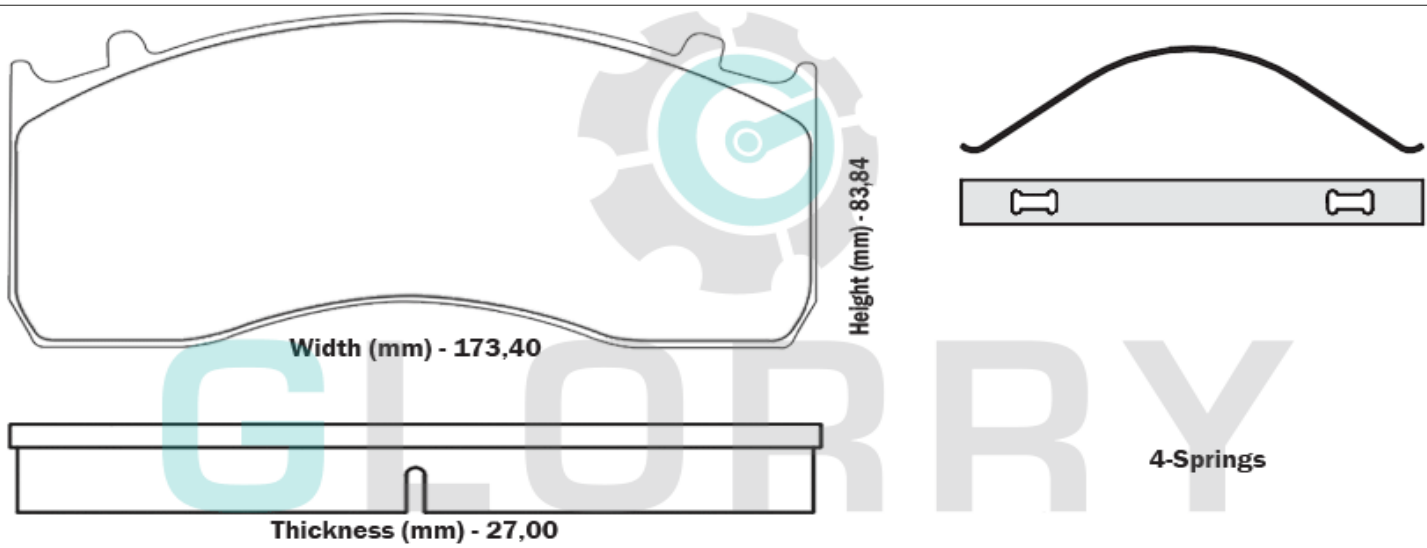
Applications For Vehicle

MAN

WVA Codes	Replaces	Brake System	Product Code
29115	81508206040 81508206043 81508205085 81508206063 81508206054 81508205074	Knorr SB 5000	77-0148-TR → GOLD 55-0148-TR

Please ask for additional information about **GOLD** quality and assembly of repair kits

Front	Rear	Q-ty
✓	✓	4



Vehicle Model

L2000
TGL

For detailed information please see catalogue back pages

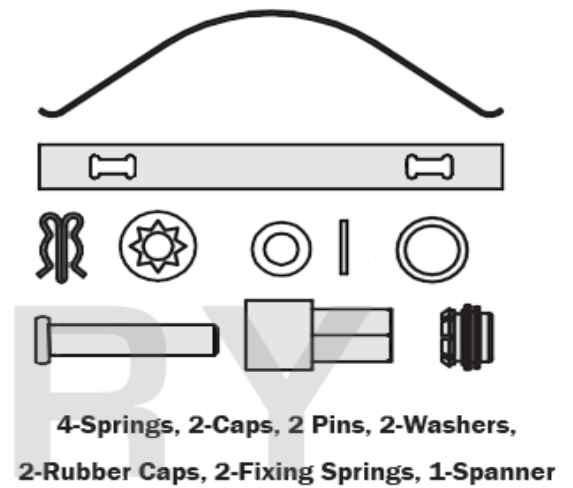
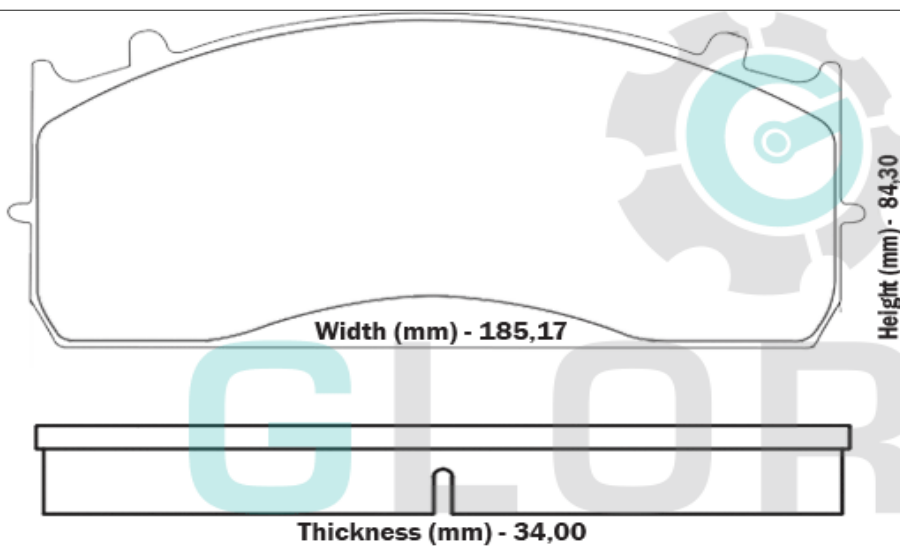
Applications For Vehicle

MAN

WVA Codes	Replaces	Brake System	Product Code
29148	81508206040 81508206043 81508205085 81508206063 81508206054 81508205074	Knorr SB 5000	77-0148-EU → GOLD 55-0148-EU

Please ask for additional information about **GOLD** quality and assembly of repair kits

Front	Rear	Q-ty
✓	✓	4



Vehicle Model

L2000
TGL

For detailed information please see catalogue back pages

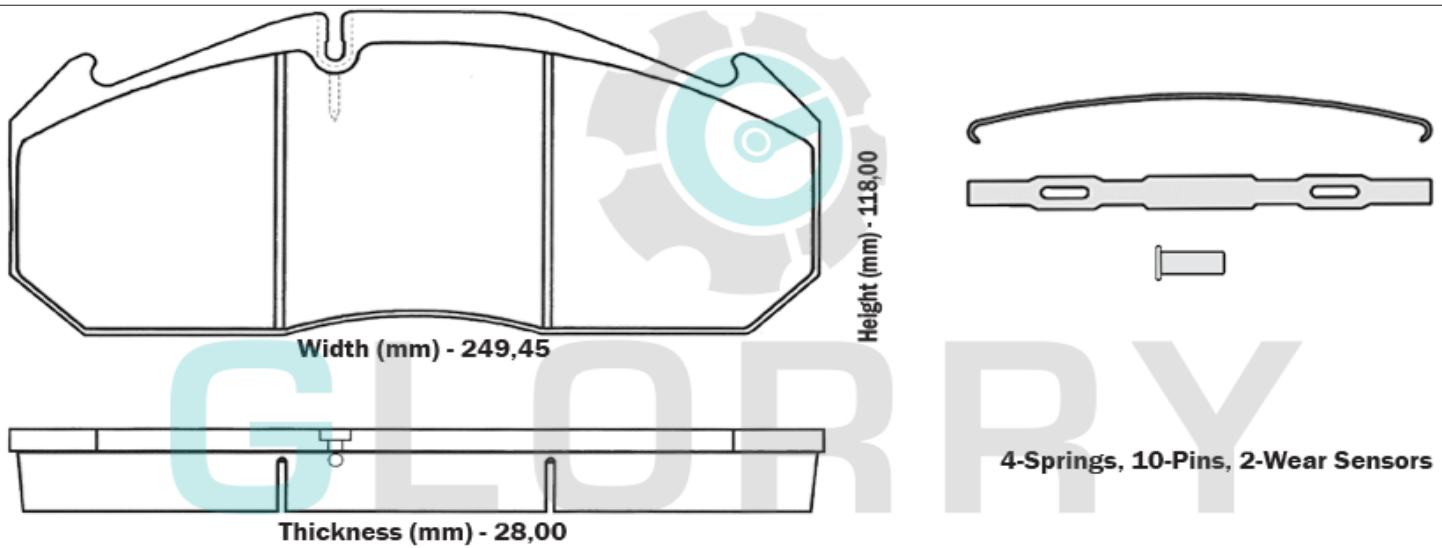
Applications For Vehicle

MAN

WVA Codes	Replaces	Brake System	Product Code
29030	81508205006	Meritor	77-0030
29113	81508205020	D-ELSA1	GOLD 55-0030
	81508205040	Meritor D-3	
	81508205047		
	81508205060		
	81508205066		
	81508205068		
	81508205091		
	81508206000		
	81508206002		
	81508206004		
	81508206014		
	81508206016		
	81508206024		
	81508206025		
	81508206034		
	81508206038		
	81508206046		
	81508226044		

Please ask for additional information about **GOLD** quality and assembly of repair kits

Front	Rear	Q-ty
✓	✓	4



Vehicle Model

E2000
F2000
F90
M2000L
M2000M
TGA

For detailed information please see catalogue back pages

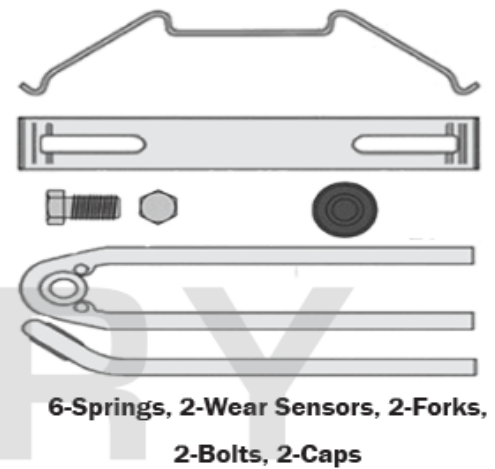
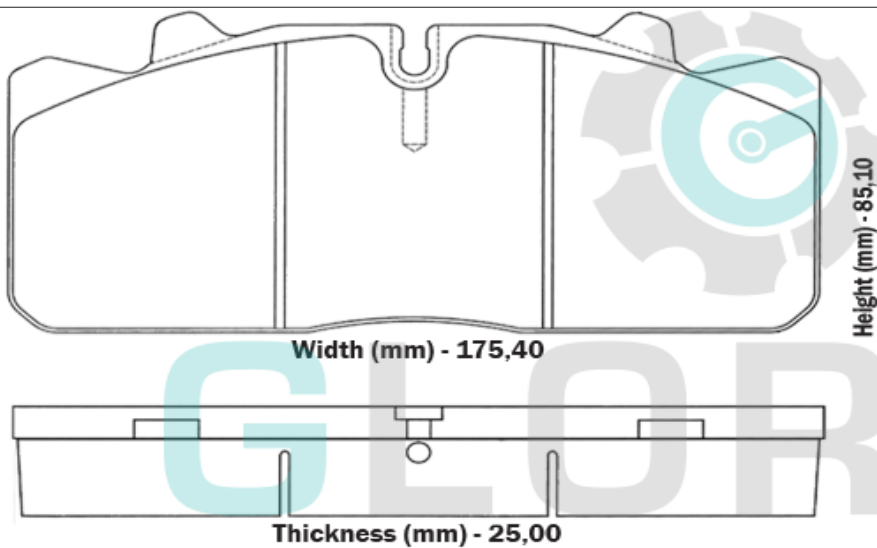
Applications For Vehicle

MAN

WVA Codes	Replaces	Brake System	Product Code
29088	81508205023	Wabco PAN 17	77-0088
29091	81508205025		GOLD 55-0088
29285	81508205029		
	81508206006		
	81508206020		
	81508206042		

Please ask for additional information about **GOLD** quality and assembly of repair kits

Front	Rear	Q-ty
✓	✓	4



Vehicle Model

L2000
M2000
M2000M

For detailed information please see catalogue back pages

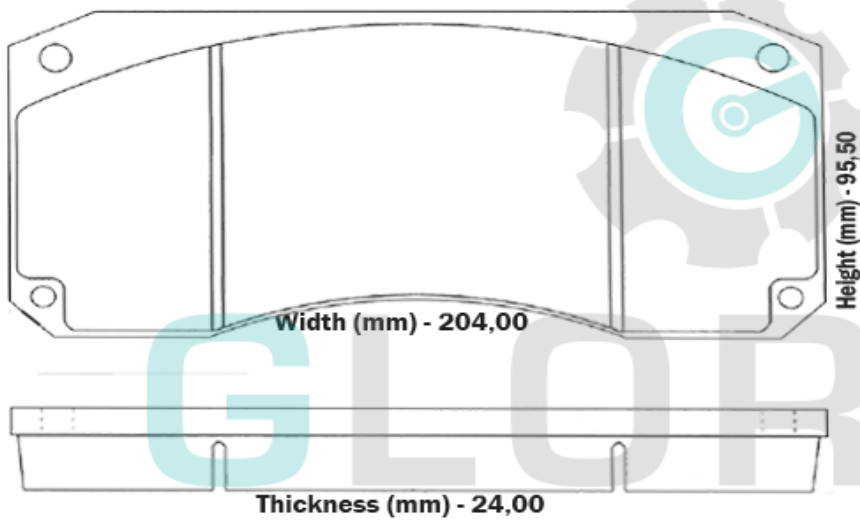
Applications For Vehicle

Renault

WVA Codes	Replaces	Brake System	Product Code
29043	5000297198	Lucas	77-0043 →
29050	5000297345		GOLD 55-0043
29051	5000821964		
	5001822987		
	5001825640		
	5001825641		

Please ask for additional information about **GOLD** quality and assembly of repair kits

Front	Rear	Q-ty
<input checked="" type="checkbox"/>	<input type="checkbox"/>	4



Vehicle Model

Magnum
Major-R Series

For detailed information please see catalogue back pages

Applications For Vehicle

Renault

WVA Codes
29067

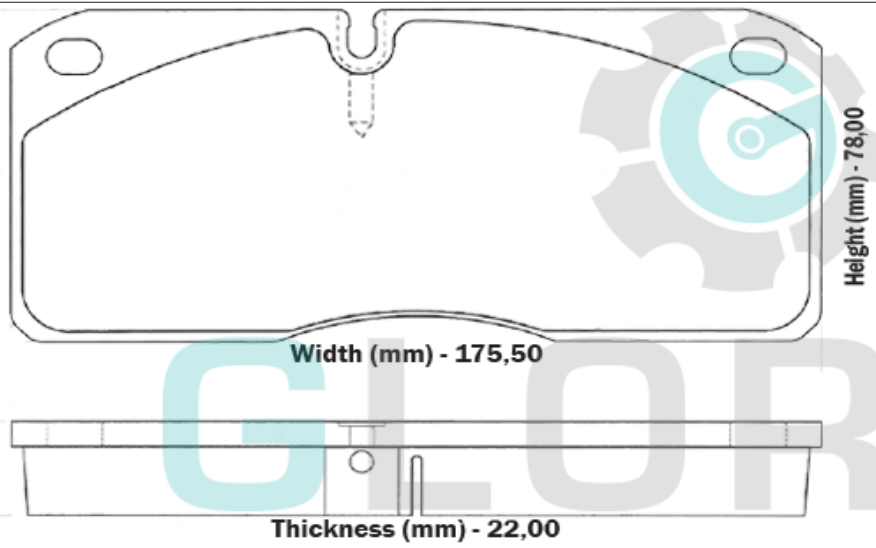
Replaces
5001014704
5001825339
5001873218

Brake System
Meritor 2X68
Lucas

Product Code
77-0067 →
GOLD 55-0067

Please ask for additional information about **GOLD** quality and assembly of repair kits

Front **Rear** **Q-ty**
✓ ✓ 4



Vehicle Model

Midliner

For detailed information please see catalogue back pages

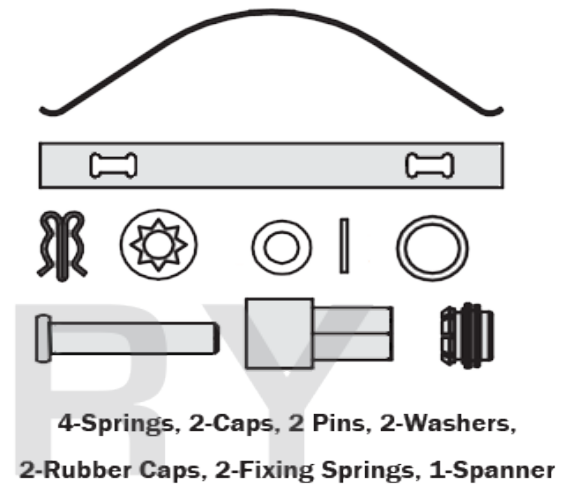
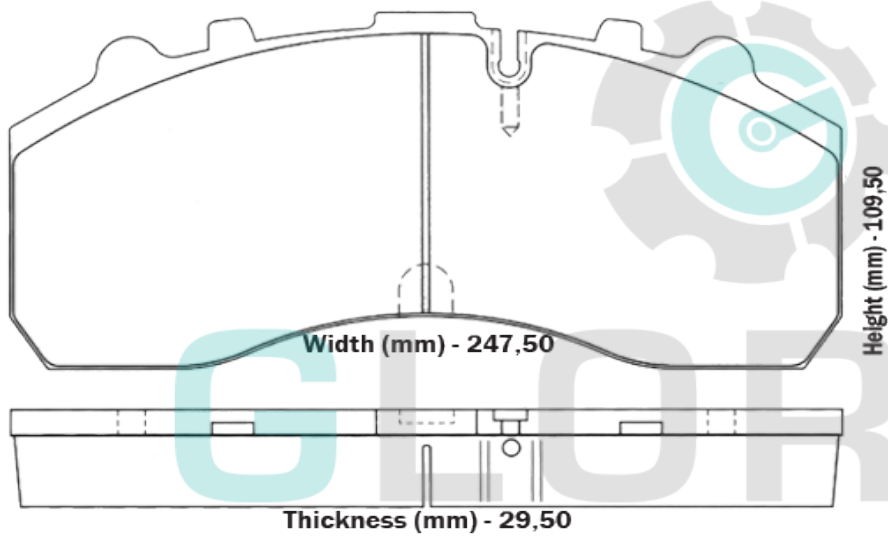
Applications For Vehicle

Renault

WVA Codes	Replaces	Brake System	Product Code
29087			
29059		Knorr SB 7000	77-0087 →
29061			GOLD 55-0087
29108			
29163			
29179			
29201			
29105			
29106			
29108			
29109			
29154			
29253			
29278			
29108			
29109			
29154			
29253			
29278			
29108			
29109			
29154			
29253			
29278			

Please ask for additional information about **GOLD** quality and assembly of repair kits

Front	Rear	Q-ty
✓	✓	4



Vehicle Model

Ares

For detailed information please see catalogue back pages

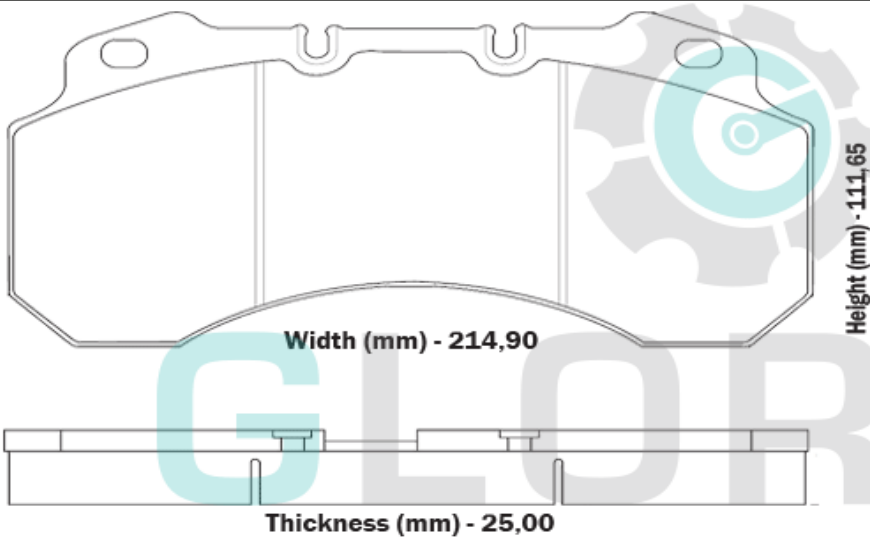
Applications For Vehicle

Renault

WVA Codes 29099 29100	Replaces 68321585 5001857615 5001833104	Brake System Meritor C-Lisa	Product Code 77-0099 → GOLD 55-0099
------------------------------------	---------------------------------------------------------	---------------------------------------	----------------------------------------------------------------

Please ask for additional information about **GOLD** quality and assembly of repair kits

Front	Rear	Q-ty
✓	✓	4



Vehicle Model

Midliner
Midlum

For detailed information please see catalogue back pages

Applications For Vehicle

Renault

WVA Codes
29142

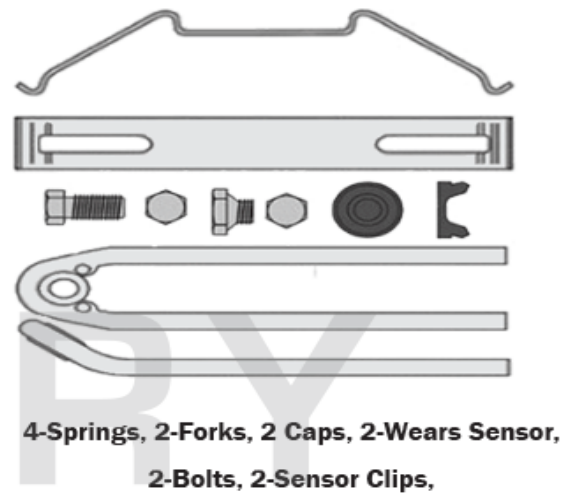
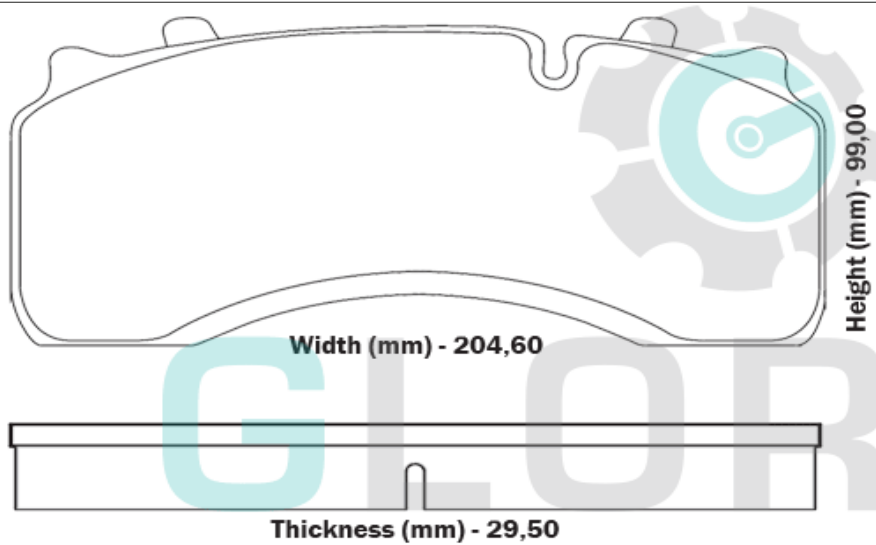
Replaces
5001855902

Brake System
Wabco Pan-19/2

Product Code
77-0142 →
GOLD 55-0142

Please ask for additional information about **GOLD** quality and assembly of repair kits

Front **Rear** **Q-ty**
✓ 4



Vehicle Model

Midlum

For detailed information please see catalogue back pages

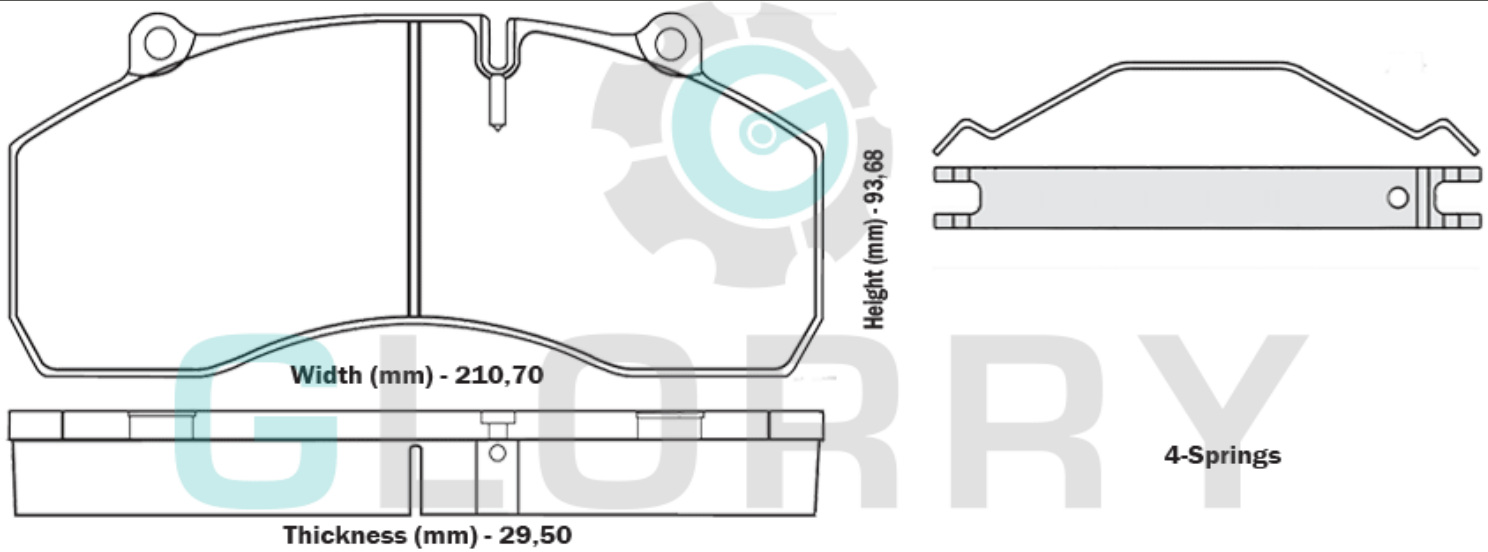
Applications For Vehicle

Renault

WVA Codes 29147 29181 29207	Replaces 5001866914 5010598372	Brake System Haldex DB 19	Product Code 77-0147 → GOLD 55-0147
---------------------------------------------	---------------------------------------------	-------------------------------------	----------------------------------------------------------------

Please ask for additional information about **GOLD** quality and assembly of repair kits

Front	Rear	Q-ty
✓	✓	4



Vehicle Model

Midlum

For detailed information please see catalogue back pages

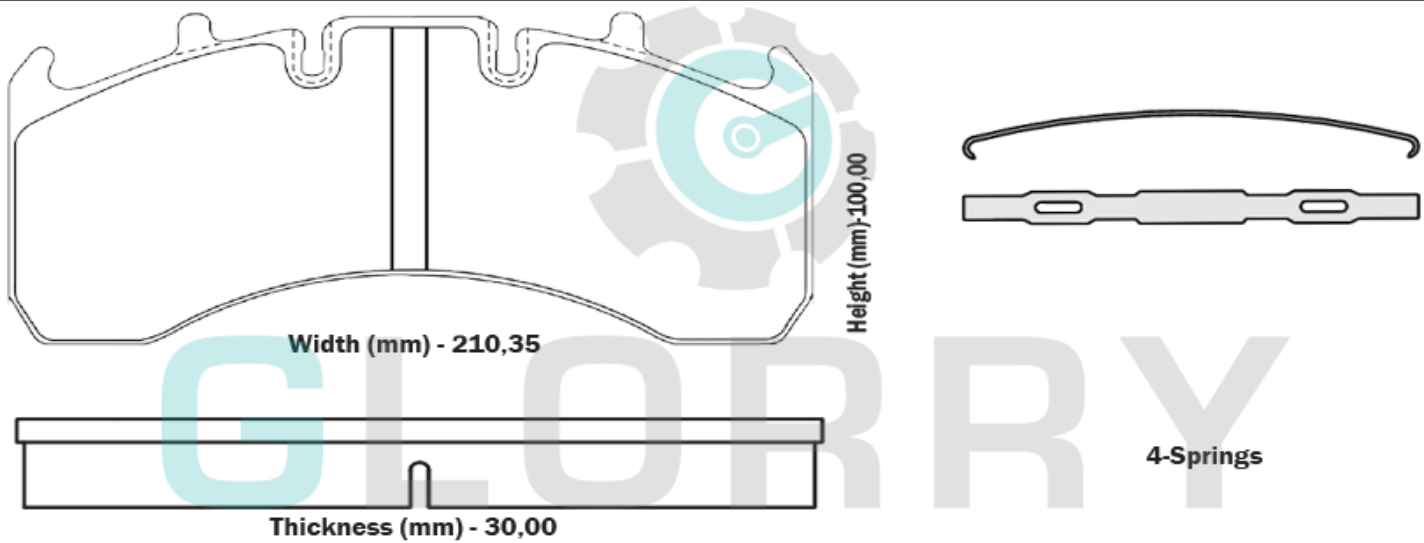
Applications For Vehicle

Renault

WVA Codes	Replaces	Brake System	Product Code
29169	5001864380	Meritor VGT195	→ GOLD 55-0169
29177	7420560415	Elsa195	
	7421496557		

Please ask for additional information about **GOLD** quality and assembly of repair kits

Front	Rear	Q-ty
✓	✓	4



Vehicle Model

Magnum
Premium 2
T-Serie

For detailed information please see catalogue back pages

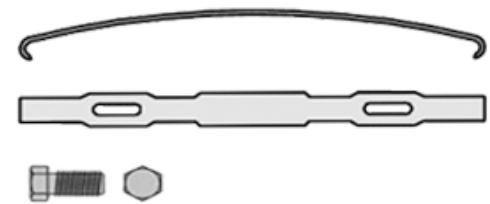
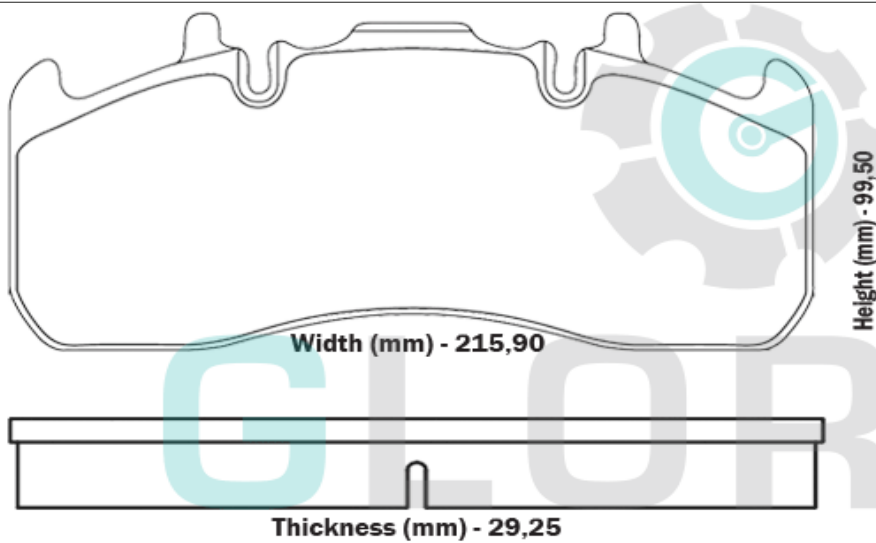
Applications For Vehicle

Renault

WVA Codes	Replaces	Brake System	Product Code
29173	5001864365	Meritor	77-0173
29203	7421399915	Elsa 225-1	GOLD 55-0173
29272	7421496556		

Please ask for additional information about **GOLD** quality and assembly of repair kits

Front	Rear	Q-ty
✓	✓	4



4-Springs, 2-Bolts, 2-Wear Sensors

Vehicle Model

D-Serie
Midlum

For detailed information please see catalogue back pages

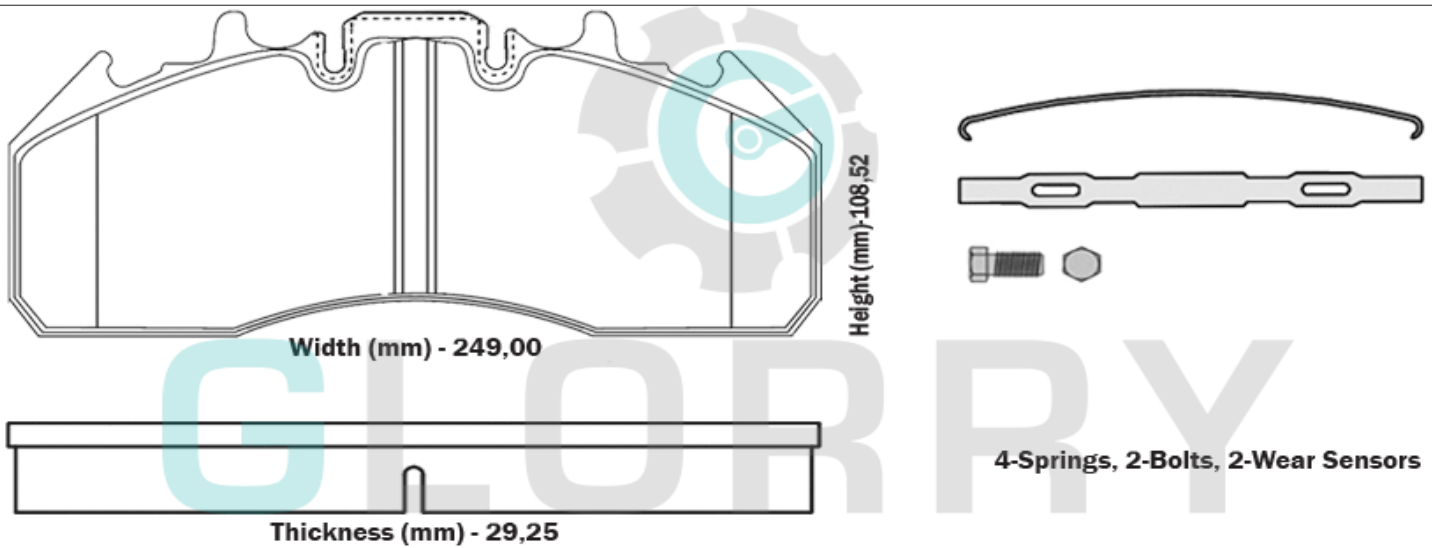
Applications For Vehicle

Renault

WVA Codes	Replaces	Brake System	Product Code
29174	5001864363	Meritor	77-0174
29218	5001864364	Elsa 225-3	GOLD 55-0174
29273	7421399929		

Please ask for additional information about **GOLD** quality and assembly of repair kits

Front	Rear	Q-ty
✓	✓	4



Vehicle Model

C-Serie
D-Serie
Magnum
Premium2

For detailed information please see catalogue back pages

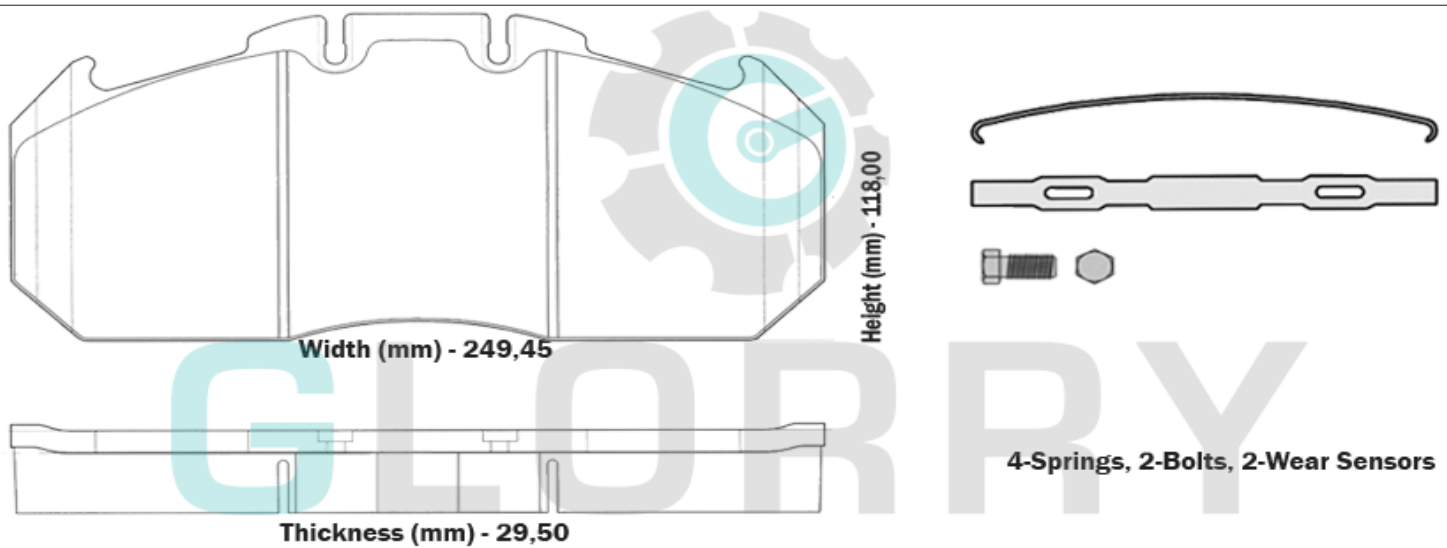
Applications For Vehicle

Renault

WVA Codes 29131	Replaces 5001020312 5001855646	Brake System Meritor D-Elsa2	Product Code 77-0131 GOLD 55-0131
---------------------------	---------------------------------------------	----------------------------------------	--------------------------------------------------------------

Please ask for additional information about **GOLD** quality and assembly of repair kits

Front	Rear	Q-ty
✓	✓	4



Vehicle Model

Iliade
Magnum
Midlum
Premium

For detailed information please see catalogue back pages

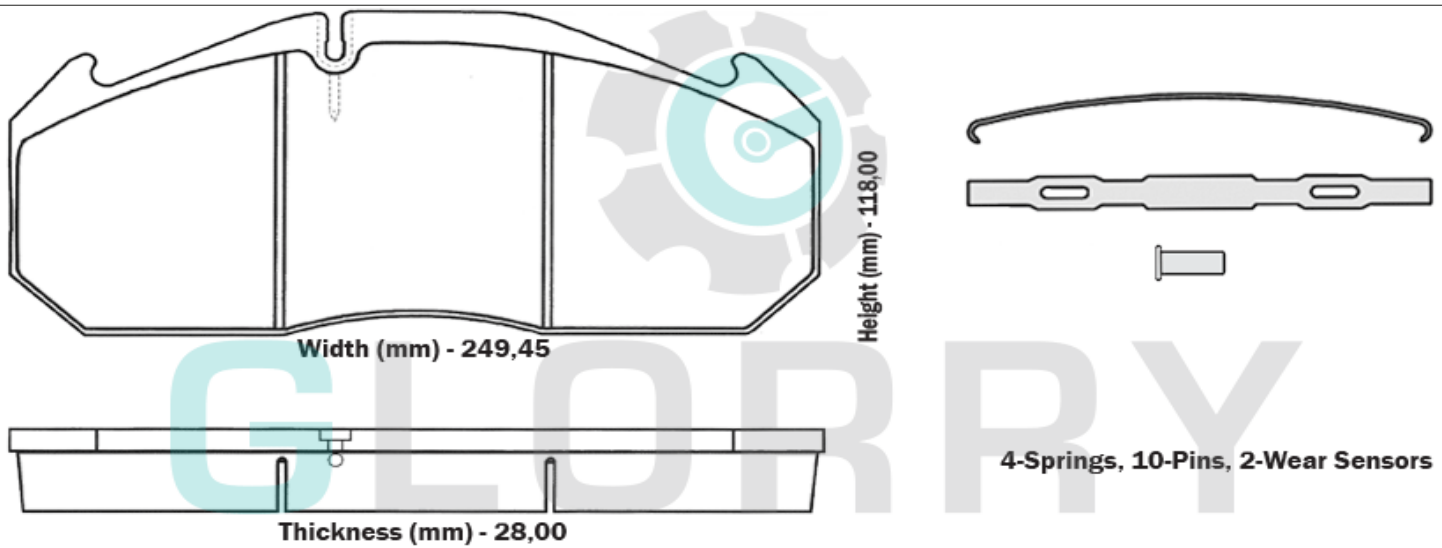
Applications For Vehicle

Renault

WVA Codes	Replaces	Brake System	Product Code
29030	5001854341	Meritor	77-0030
29113	5001823000	D-ELSA1	GOLD 55-0030
	5001854342	Meritor D-3	

Please ask for additional information about **GOLD** quality and assembly of repair kits

Front	Rear	Q-ty
✓	✓	4



Vehicle Model

Agora
Iliade
Magnum
Major
Premium

For detailed information please see catalogue back pages

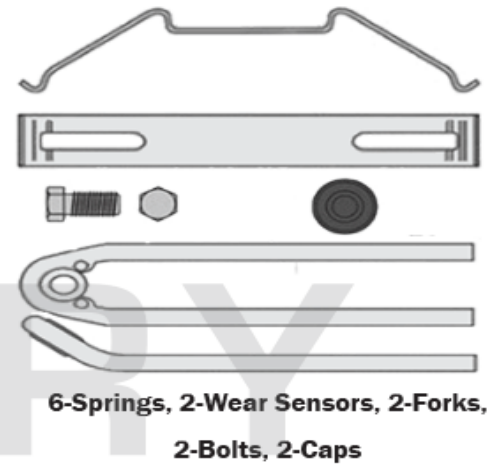
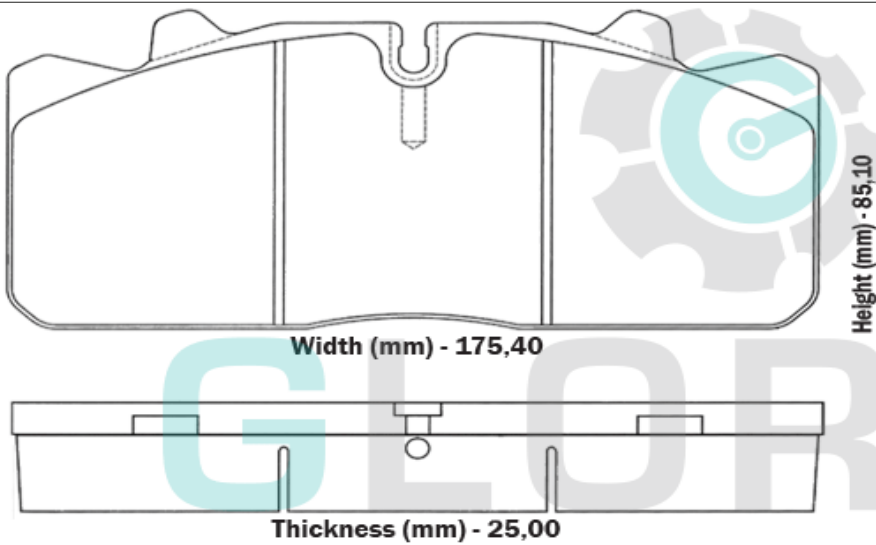
Applications For Vehicle

Renault

WVA Codes 29088 29091 29285	Replaces 5001866951	Brake System Wabco PAN 17	Product Code 77-0088 GOLD 55-0088
---------------------------------------------	-------------------------------	-------------------------------------	--------------------------------------------------------------

Please ask for additional information about **GOLD** quality and assembly of repair kits

Front	Rear	Q-ty
✓	✓	4



Vehicle Model

Midlum

For detailed information please see catalogue back pages

Applications For Vehicle

Renault

WVA Codes
29090

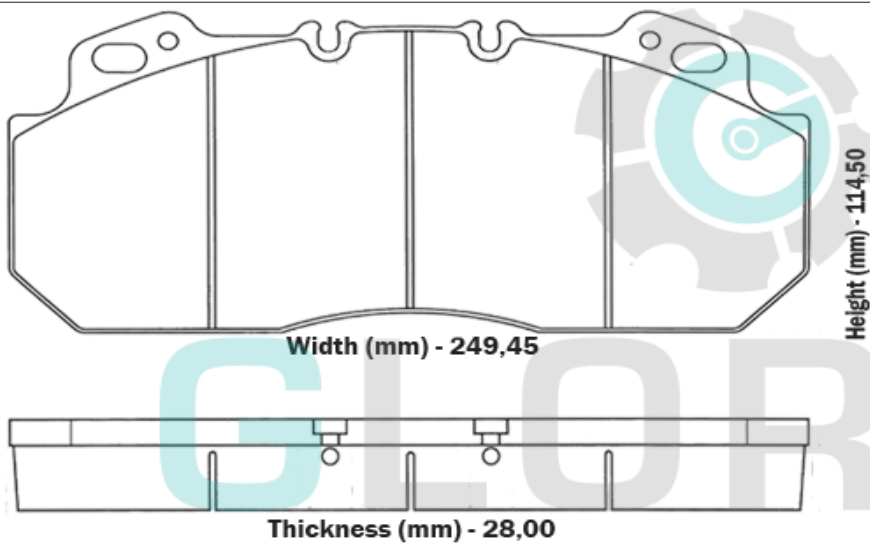
Replaces
5001846034
5001833114
5001831161

Brake System
Meritor D-Lisa

Product Code
77-0090
GOLD 55-0090

Please ask for additional information about **GOLD** quality and assembly of repair kits

Front **Rear** **Q-ty**
✓ ✓ 4



4-Springs, 2-Wear Sensors, 8-Caliper Springs
8-Pins

Vehicle Model

Magnum
Premium

For detailed information please see catalogue back pages

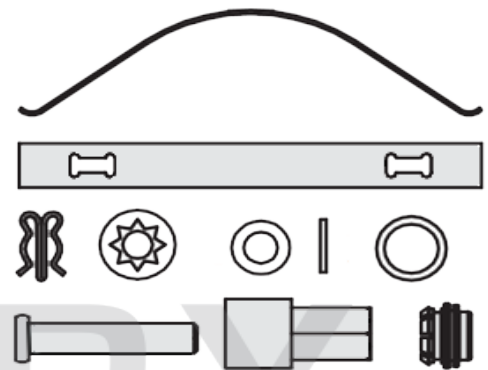
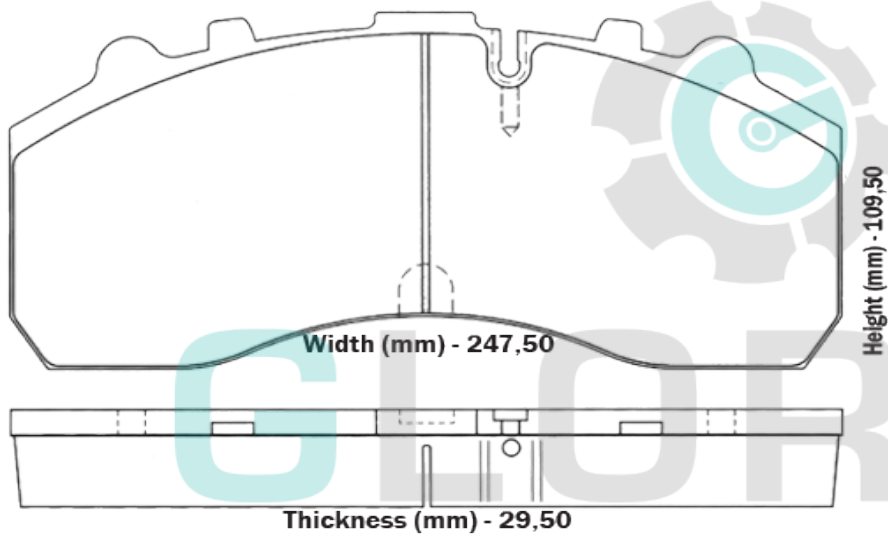
Applications For Vehicle

Scania

WVA Codes	Replaces	Brake System	Product Code
29087	185608,	Knorr SB 7000	77-0087 GOLD 55-0087
29059	1390428,		
29061	1521979,		
29108	1527633,		
29163	1734529,		
29179	1856108,		
29201	1890860,		
29105	1890861,		
29106	1914100		
29108			
29109			
29154			
29253			
29278			
29108			
29109			
29154			
29253			
29278			
29108			
29109			
29154			
29253			
29278			

Please ask for additional information about **GOLD** quality and assembly of repair kits

Front	Rear	Q-ty
✓	✓	4



4-Springs, 2-Caps, 2 Pins, 2-Washers,
2-Rubber Caps, 2-Fixing Springs, 1-Spanner

Vehicle Model

4-series
P,G,R,T-series

For detailed information please see catalogue back pages

Applications For Vehicle

Scania

WVA Codes
29143
29120

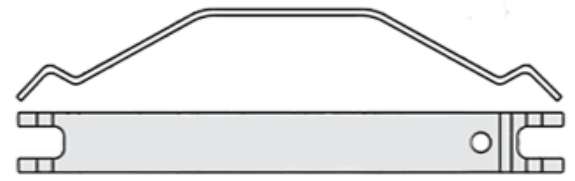
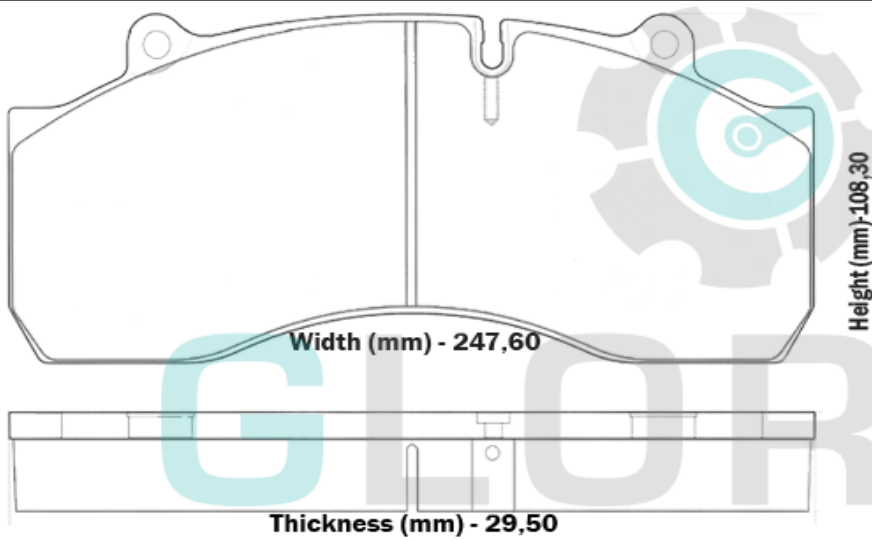
Replaces
725857

Brake System
Haldex DB 22

Product Code
77-0143
GOLD 55-0143

Please ask for additional information about **GOLD** quality and assembly of repair kits

Front **Rear** **Q-ty**
✓ ✓ 4



4-Springs

Vehicle Model

4-series
P,G,R,T-series

For detailed information please see catalogue back pages

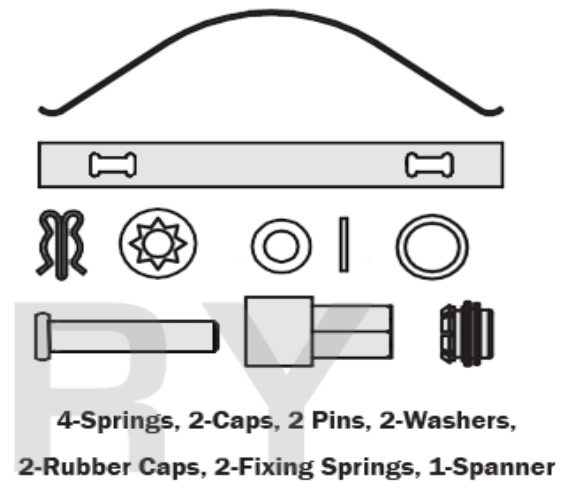
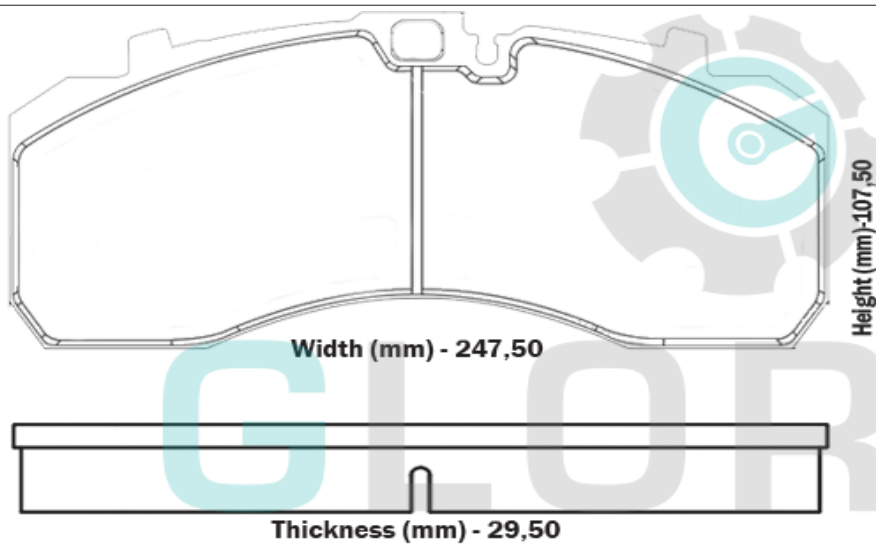
Applications For Vehicle

Scania

WVA Codes	Replaces	Brake System	Product Code
29278	1734529	Knorr SN7/SB7	77-0253
29253	1856108		GOLD 55-0253
	2325212		
	2325213		
	2920101		

Please ask for additional information about **GOLD** quality and assembly of repair kits

Front	Rear	Q-ty
✓	✓	4



Vehicle Model

4-series
IRIZAR
P,G,R,T-series

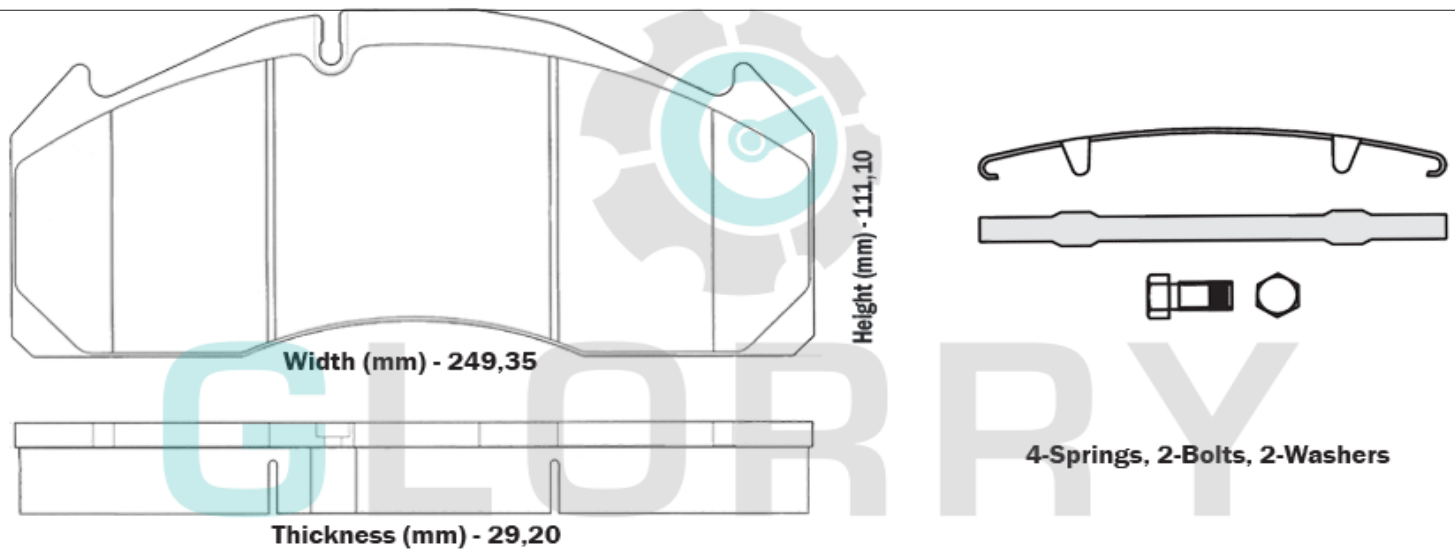
For detailed information please see catalogue back pages

Applications For Vehicle

Volvo

WVA Codes 29125	Replaces 3095396 20918891 20931343 21088907 1078439 20768092 20932682	Brake System Meritor D-Duco	Product Code 77-0125 → GOLD 55-0125
			Front <input checked="" type="checkbox"/> Rear <input checked="" type="checkbox"/> Q-ty <input type="checkbox"/> 4

Please ask for additional information about **GOLD** quality and assembly of repair kits



Vehicle Model

FH
FH12
FH16
FL
FM
FMX
NH12

For detailed information please see catalogue back pages

Applications For Vehicle

Renault

WVA Codes
29147
29181
29207

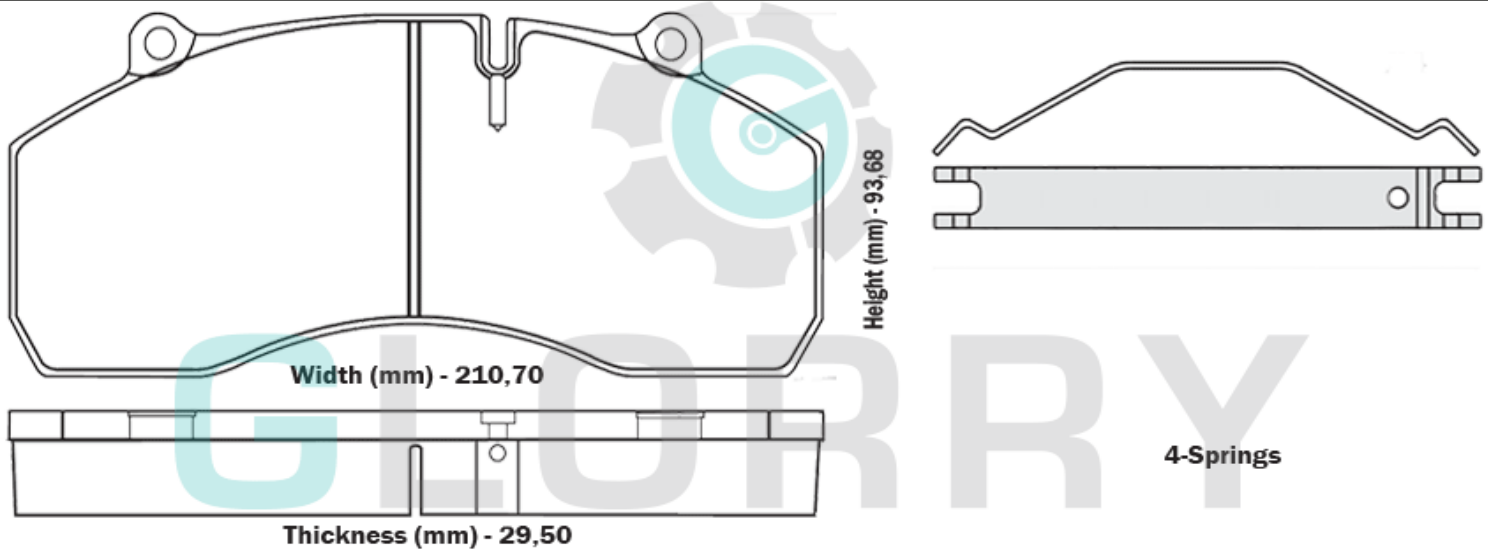
Replaces
20780788
20844903

Brake System
Haldex DB 19

Product Code
77-0147 →
GOLD 55-0147

Please ask for additional information about **GOLD** quality and assembly of repair kits

Front **Rear** **Q-ty**
✓ ✓ 4



Vehicle Model

FLII

For detailed information please see catalogue back pages

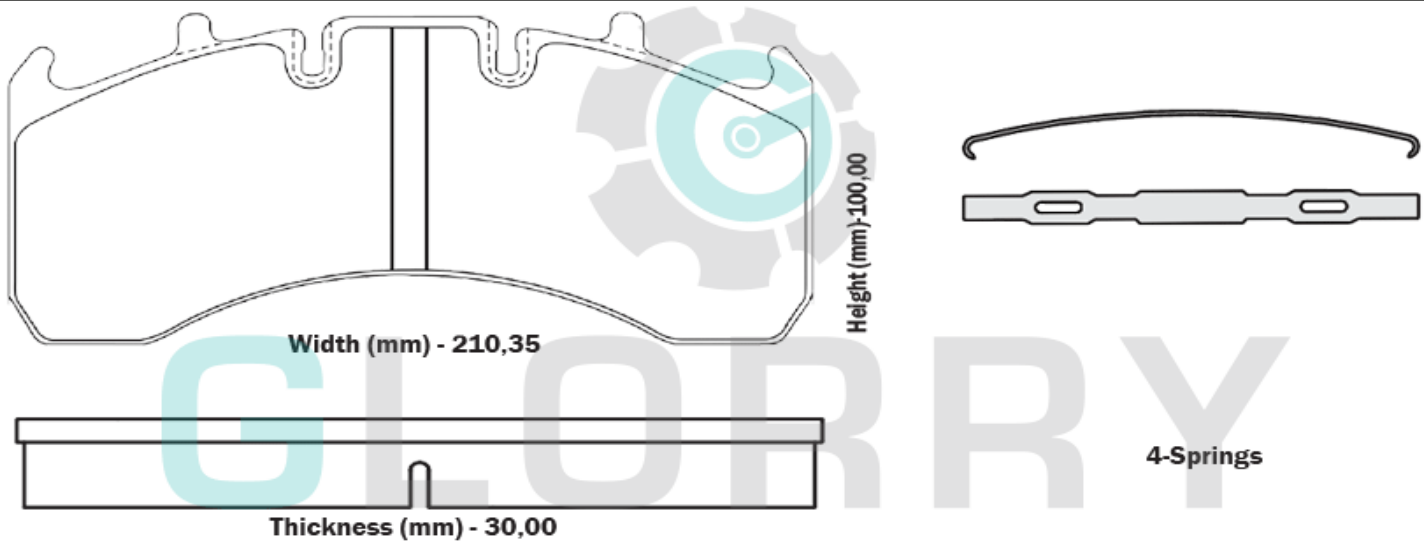
Applications For Vehicle

Volvo

WVA Codes	Replaces	Brake System	Product Code
29169 29177	20568713 21496552 20765963	Meritor VGT195 Elsa195	GOLD 55-0169

Please ask for additional information about **GOLD** quality and assembly of repair kits

Front	Rear	Q-ty
✓	✓	4



Vehicle Model

FH12
FH16
FH16II
FM
FMX

For detailed information please see catalogue back pages

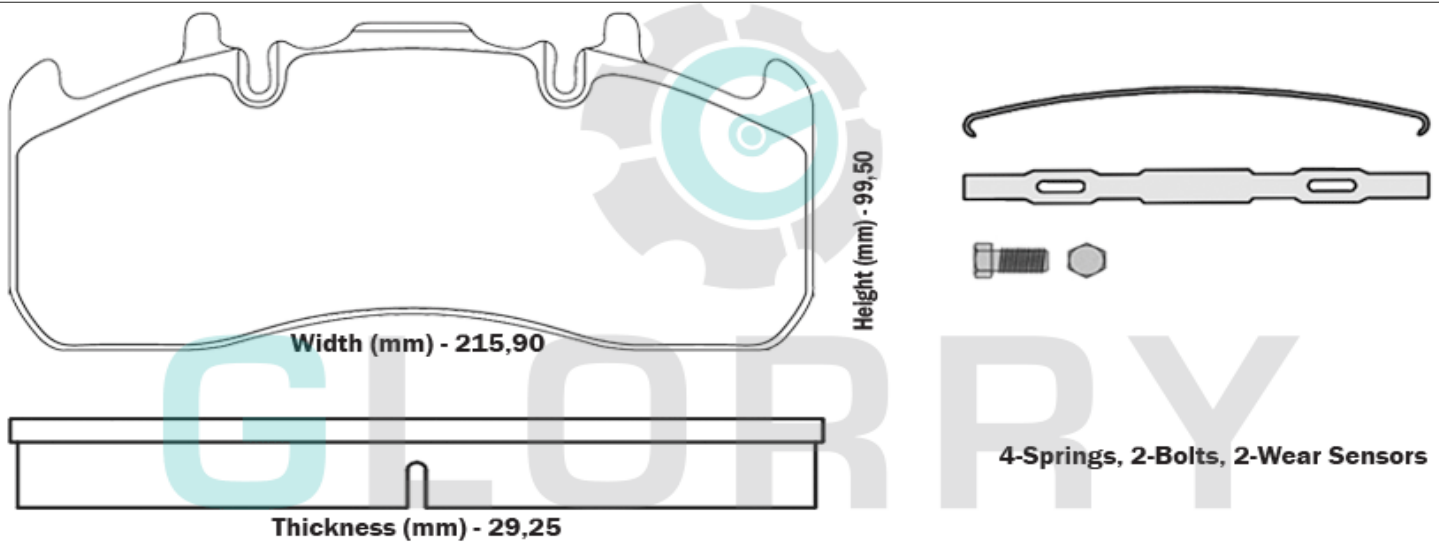
Applications For Vehicle

Volvo

WVA Codes	Replaces	Brake System	Product Code
29173	20560414	Meritor	77-0173 →
29203	20568712	Elsa 225-1	GOLD 55-0173
29272	20568715		
	21352573		

Please ask for additional information about **GOLD** quality and assembly of repair kits

Front	Rear	Q-ty
✓	✓	4



Vehicle Model

FLII
FLIII

For detailed information please see catalogue back pages

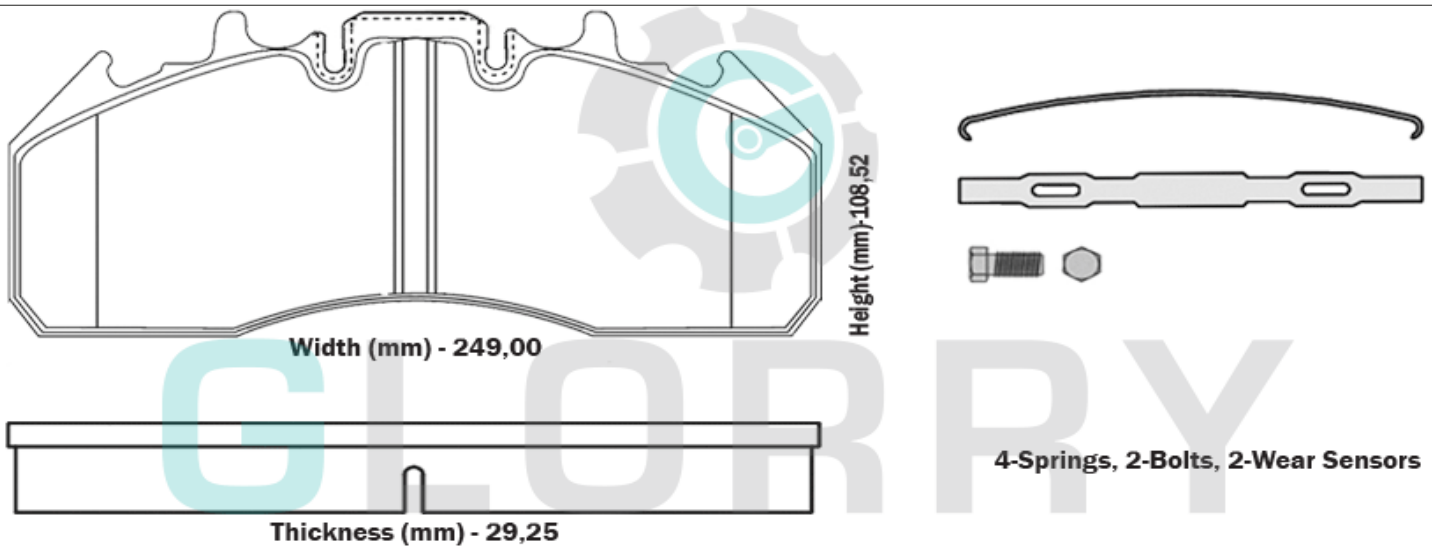
Applications For Vehicle

Volvo

WVA Codes	Replaces	Brake System	Product Code
29174	20568711	Meritor	77-0174
29218	20568714	Elsa 225-3	GOLD 55-0174
29273			

Please ask for additional information about **GOLD** quality and assembly of repair kits

Front	Rear	Q-ty
✓	✓	4



Vehicle Model

FE
FEII
FH
FH16
FHII
FM
FMX
FMXII

For detailed information please see catalogue back pages

Applications For Vehicle

Renault

WVA Codes
29090

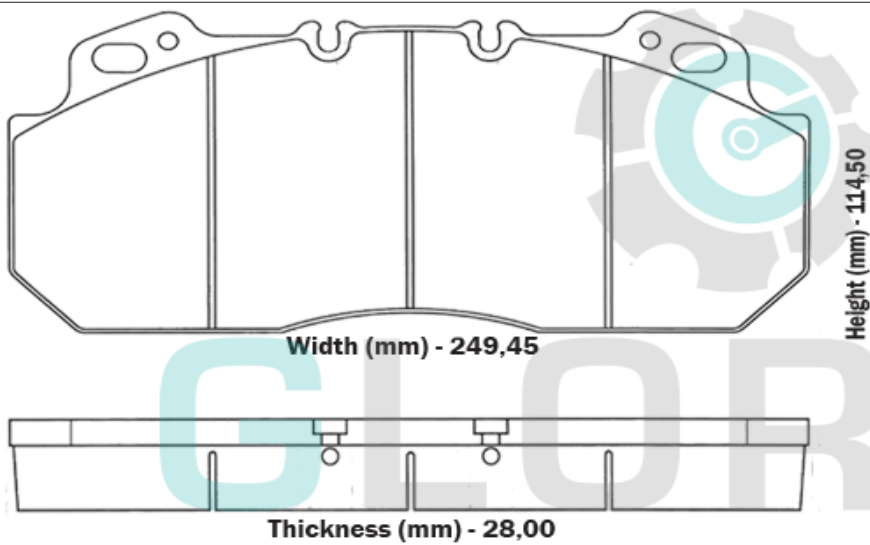
Replaces
20825594
85506111
85105485
3093919

Brake System
Meritor D-Lisa

Product Code
77-0090
GOLD 55-0090

Please ask for additional information about **GOLD** quality and assembly of repair kits

Front **Rear** **Q-ty**
✓ ✓ 4



4-Springs, 2-Wear Sensors, 8-Caliper Springs
8-Pins

Vehicle Model

B12
B10

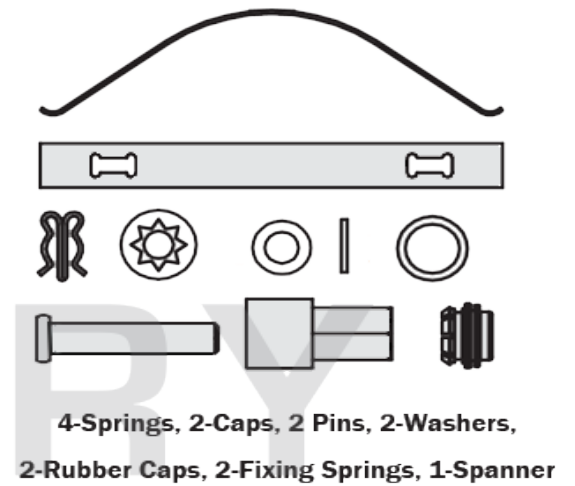
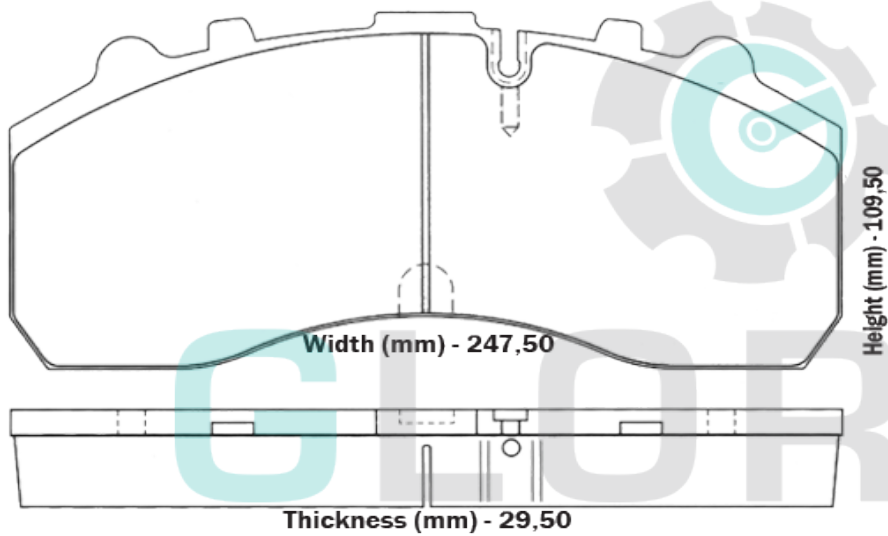
For detailed information please see catalogue back pages

Applications For Vehicle

BPW

WVA Codes	Replaces	Brake System	Product Code	Front	Rear	Q-ty
29087	0203121400	Knorr SB 7000	77-0087			
29059	0203121700		GOLD 55-0087	✓	✓	4
29061	0536270010					
29108	0980102200					
29163	536270020					
29179	980102570					
29201	980102920					
29105	980106200					
29106						
29108						
29109						
29154						
29253						
29278						
29108						
29109						
29154						
29253						
29278						
29108						
29109						
29154						
29253						
29278						

Please ask for additional information about **GOLD** quality and assembly of repair kits



Vehicle Model

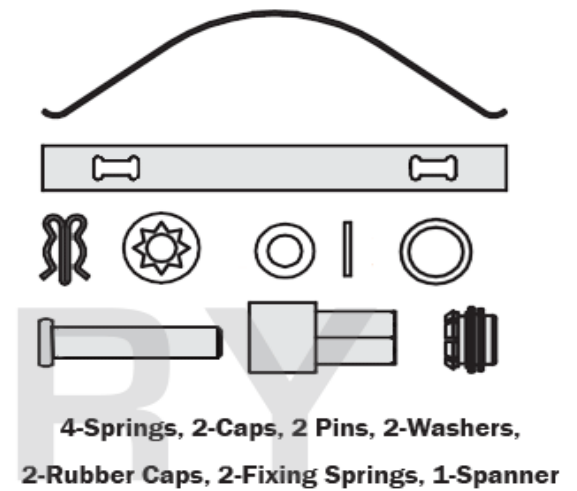
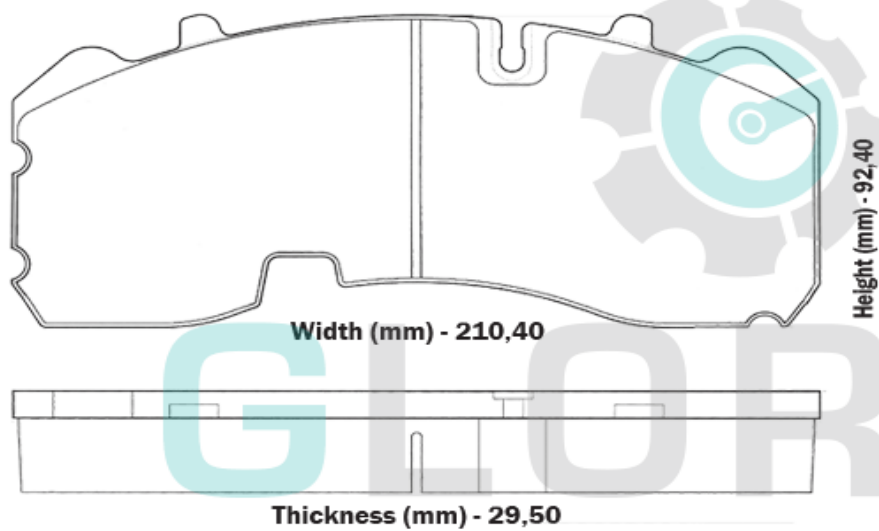
For detailed information please see catalogue back pages

Applications For Vehicle

BPW

WVA Codes	Replaces	Brake System	Product Code
29165	0509290100 0509290220 0980102750 0980102930 0980106210 0980106350 0980106430 0980107090 0980107240 0980108150 980107240	Knorr SN 6	77-0165 GOLD 55-0165
			Front Rear Q-ty
			<input checked="" type="checkbox"/> <input type="checkbox"/> <input type="checkbox"/> 4

Please ask for additional information about **GOLD** quality and assembly of repair kits



Vehicle Model

For detailed information please see catalogue back pages

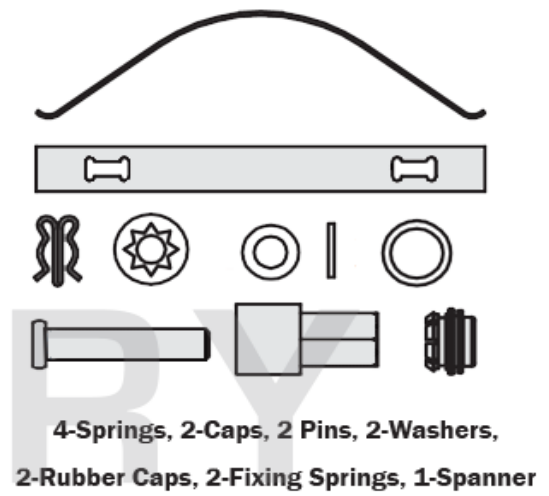
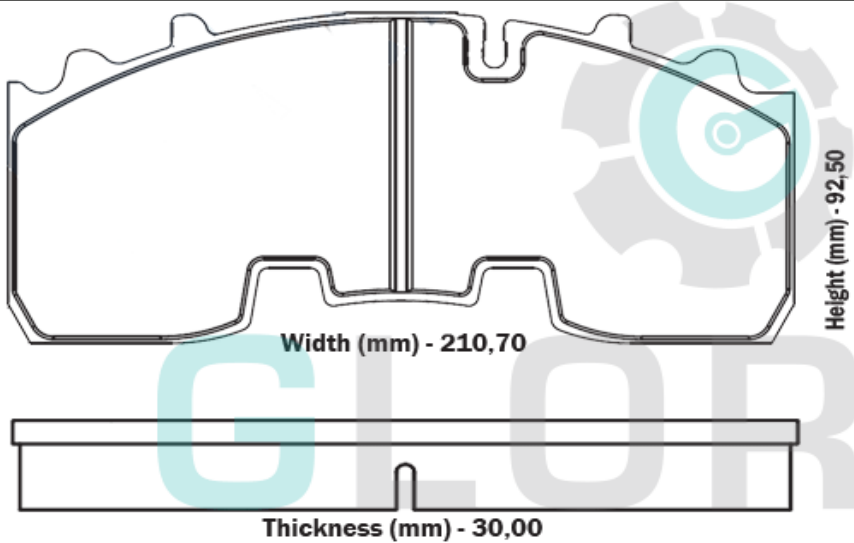
Applications For Vehicle

BPW

WVA Codes	Replaces	Brake System	Product Code
29306	0509290100 0509290220 0980102750 0980102930 0980106210 0980106350 0980106430 0980107090 0980107240 0980108150 980107240	Knorr SN 6	77-0306 GOLD 55-0306

Please ask for additional information about **GOLD** quality and assembly of repair kits

Front	Rear	Q-ty
✓		4



Vehicle Model

For detailed information please see catalogue back pages

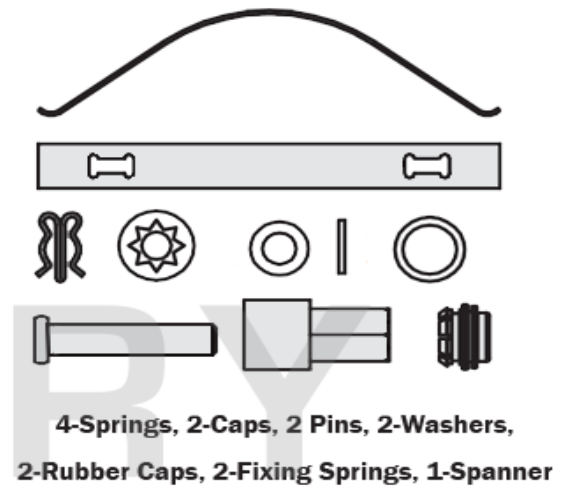
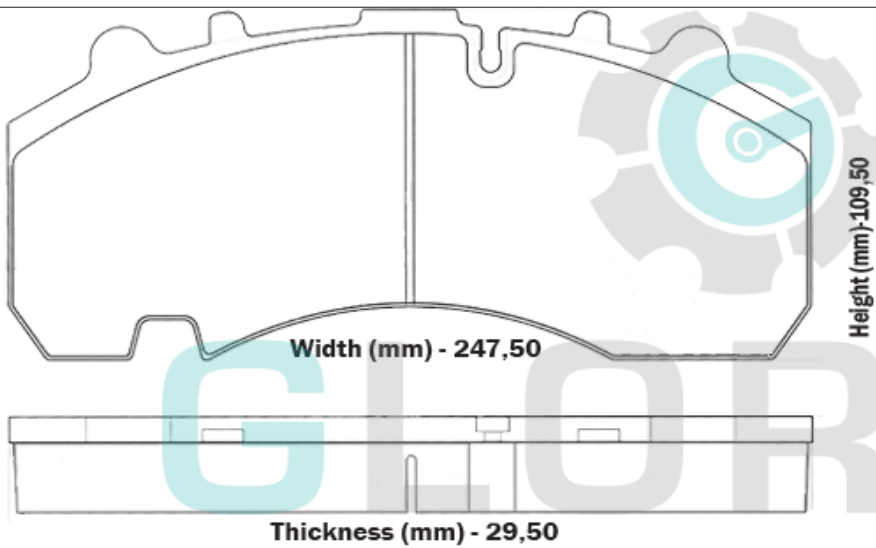
Applications For Vehicle

BPW

WVA Codes	Replaces	Brake System	Product Code
29167	0509290070 0509290090 0536270020 0980102570 0980102920 0980106200 0980106360 0980106450 0980106960 0980107250 0980108170	Knorr SN 7	77-0167 GOLD 55-0167

Front **Rear** **Q-ty** **4**

Please ask for additional information about **GOLD** quality and assembly of repair kits



Vehicle Model

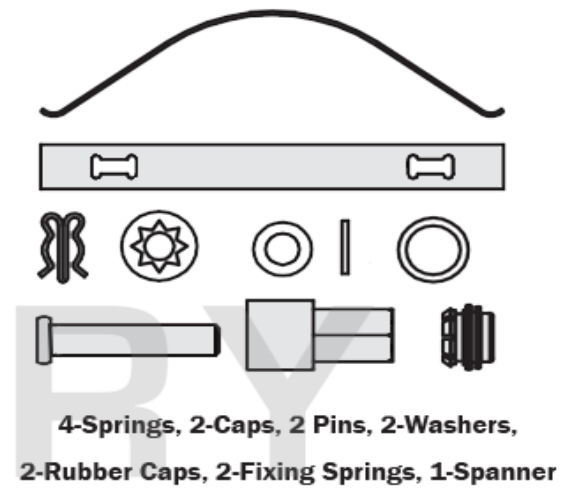
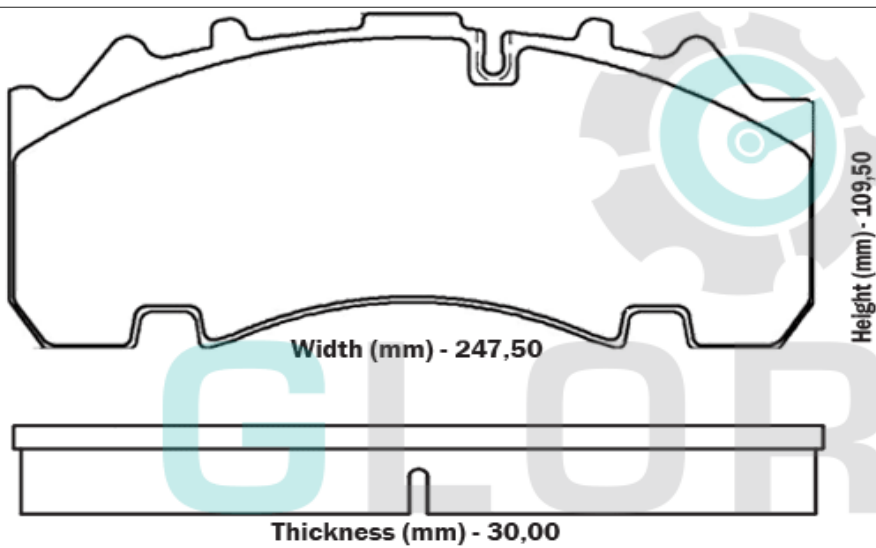
For detailed information please see catalogue back pages

Applications For Vehicle

BPW

WVA Codes	Replaces	Brake System	Product Code						
29307	0509290070 0509290090 0536270020 0980102570 0980102920 0980106200 0980106360 0980106450 0980106960 0980107250 0980108170	Knorr SN 7	77-0307 GOLD 55-0307						
			<table border="1"> <thead> <tr> <th>Front</th> <th>Rear</th> <th>Q-ty</th> </tr> </thead> <tbody> <tr> <td><input type="checkbox"/></td> <td><input checked="" type="checkbox"/></td> <td>4</td> </tr> </tbody> </table>	Front	Rear	Q-ty	<input type="checkbox"/>	<input checked="" type="checkbox"/>	4
Front	Rear	Q-ty							
<input type="checkbox"/>	<input checked="" type="checkbox"/>	4							

Please ask for additional information about **GOLD** quality and assembly of repair kits



Vehicle Model

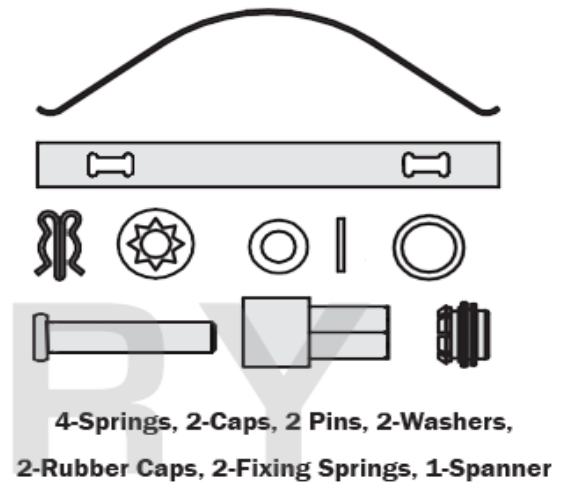
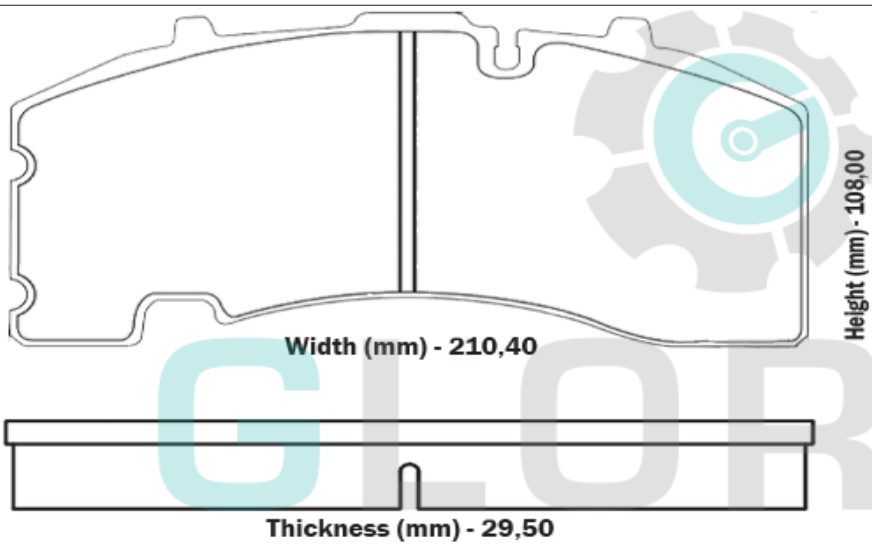
For detailed information please see catalogue back pages

Applications For Vehicle

BPW

WVA Codes 29171	Replaces 0509290060 0509290080 0509290230 0980106440 0980106950 0980107260 0980108160	Brake System Knorr SK 7	Product Code 77-0171 GOLD 55-0171
			Front <input type="checkbox"/> Rear <input checked="" type="checkbox"/> Q-ty 4

Please ask for additional information about **GOLD** quality and assembly of repair kits



Vehicle Model

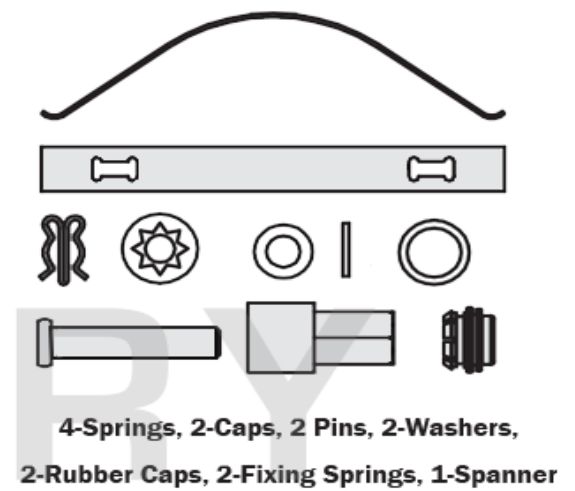
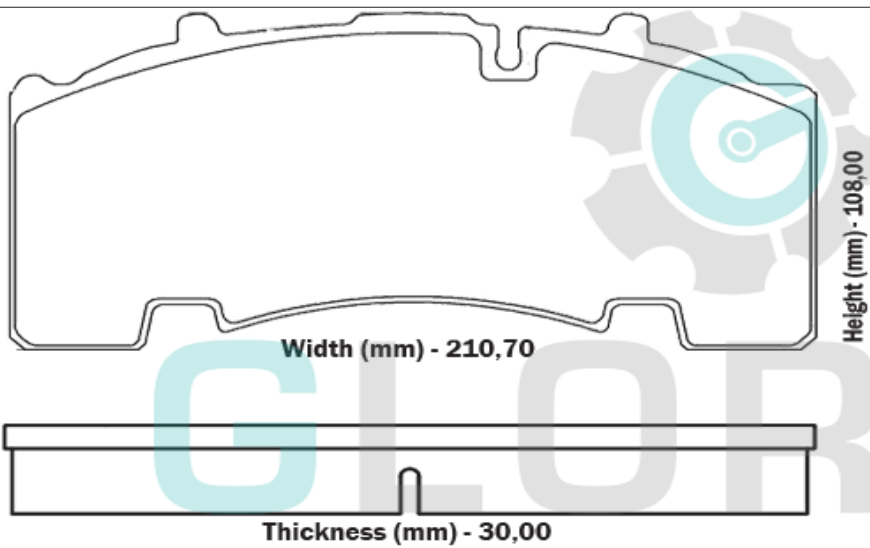
For detailed information please see catalogue back pages

Applications For Vehicle

BPW

WVA Codes 29308	Replaces 0509290060 0509290080 0509290230 0980106440 0980106950 0980107260 0980108160	Brake System Knorr SK 7	Product Code 77-0308 GOLD 55-0308
			Front <input type="checkbox"/> Rear <input checked="" type="checkbox"/> Q-ty 4

Please ask for additional information about **GOLD** quality and assembly of repair kits



Vehicle Model

For detailed information please see catalogue back pages

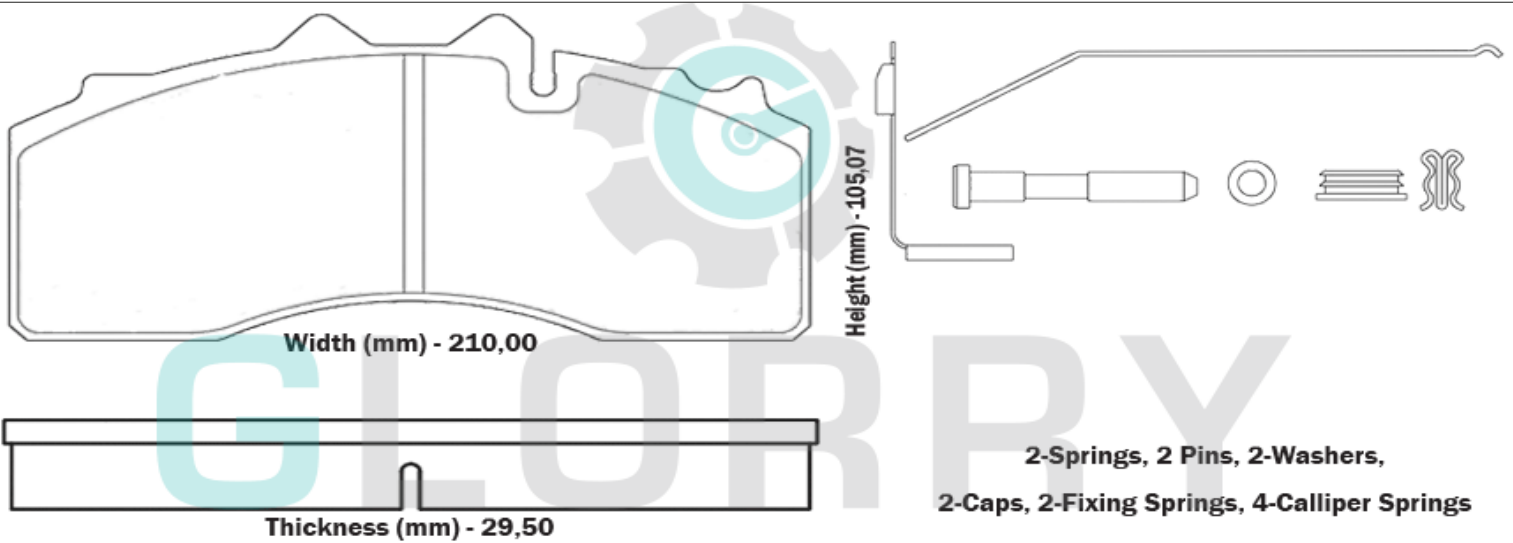
Applications For Vehicle

BPW

WVA Codes 29227	Replaces 0509290120 0900061790 0980107550 0980107940	Brake System TSB 4309	Product Code 77-0227 GOLD 55-0227
---------------------------	-------------------------------------------------------------------------	---------------------------------	--------------------------------------------------------------

Please ask for additional information about **GOLD** quality and assembly of repair kits

Front	Rear	Q-ty
✓		4



Vehicle Model

For detailed information please see catalogue back pages

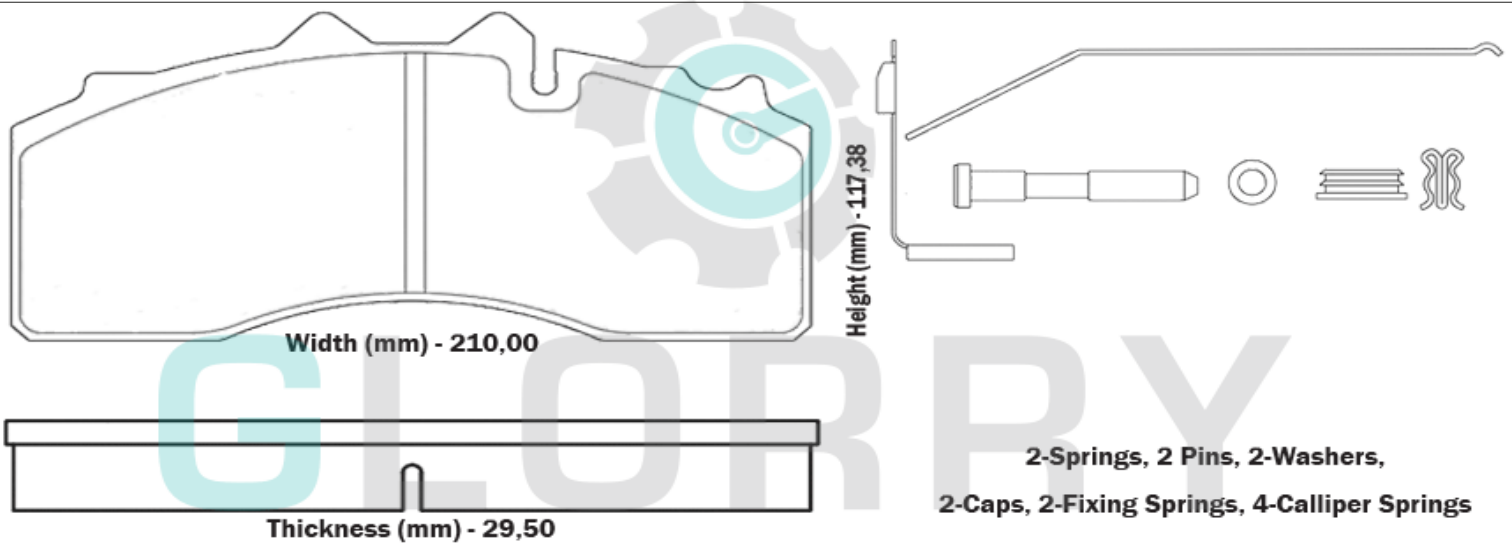
Applications For Vehicle

BPW

WVA Codes 29228	Replaces 0509290130 0980107570 0980107960 0980107971	Brake System TSB 4309	Product Code 77-0228 GOLD 55-0228
---------------------------	-------------------------------------------------------------------------	---------------------------------	--------------------------------------------------------------

Please ask for additional information about **GOLD** quality and assembly of repair kits

Front	Rear	Q-ty
✓		4



Vehicle Model

For detailed information please see catalogue back pages

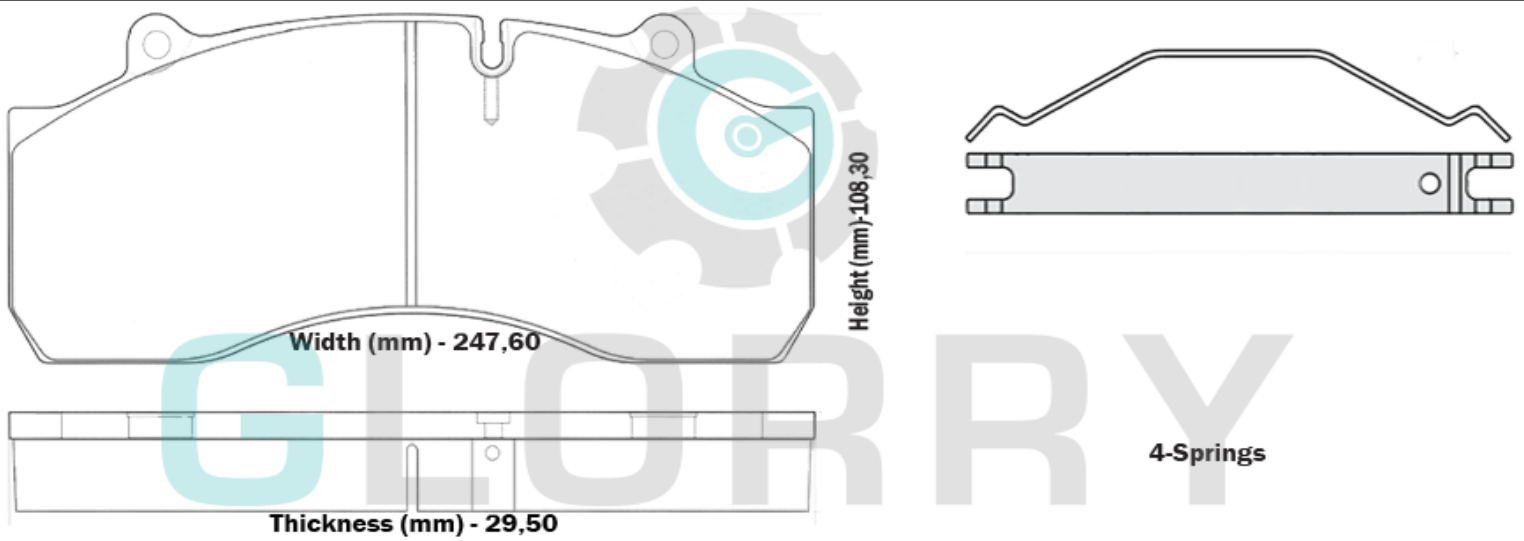
Applications For Vehicle

Freuhauf

WVA Codes 29143 29120 29176	Replaces M910027-04	Brake System Haldex DB 22	Product Code 77-0143 GOLD 55-0143 →
---------------------------------------------	-------------------------------	-------------------------------------	----------------------------------------------------------------

Please ask for additional information about **GOLD** quality and assembly of repair kits

Front	Rear	Q-ty
<input type="checkbox"/>	<input checked="" type="checkbox"/>	4



Vehicle Model

For detailed information please see catalogue back pages

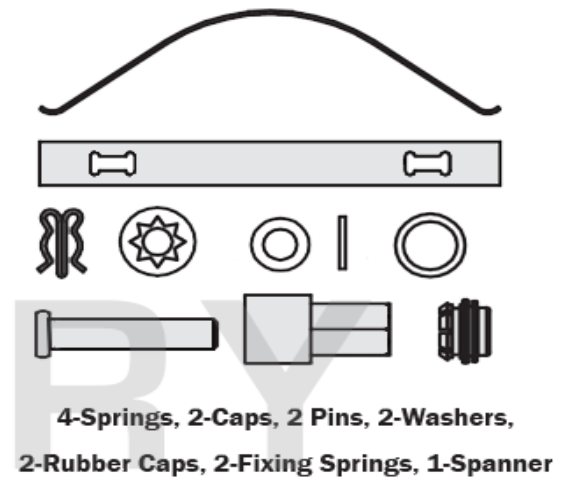
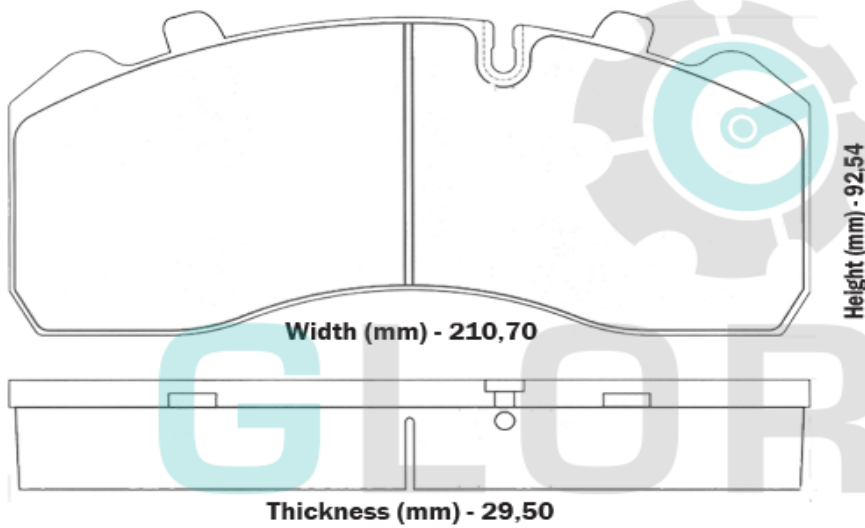
Applications For Vehicle

Freuhauf

WVA Codes	Replaces	Brake System	Product Code
29094	M91000101	Knorr SB 6000	77-0094
29093			GOLD 55-0094
29095			
29197			

Please ask for additional information about **GOLD** quality and assembly of repair kits

Front	Rear	Q-ty
<input checked="" type="checkbox"/>	<input type="checkbox"/>	4



Vehicle Model

For detailed information please see catalogue back pages

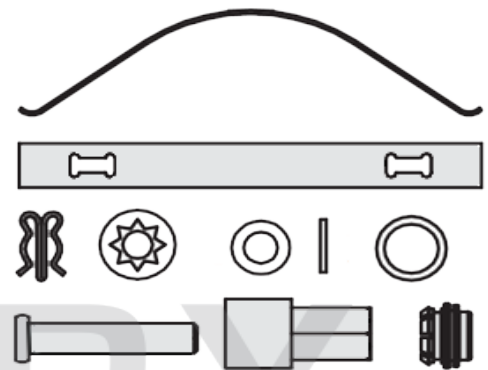
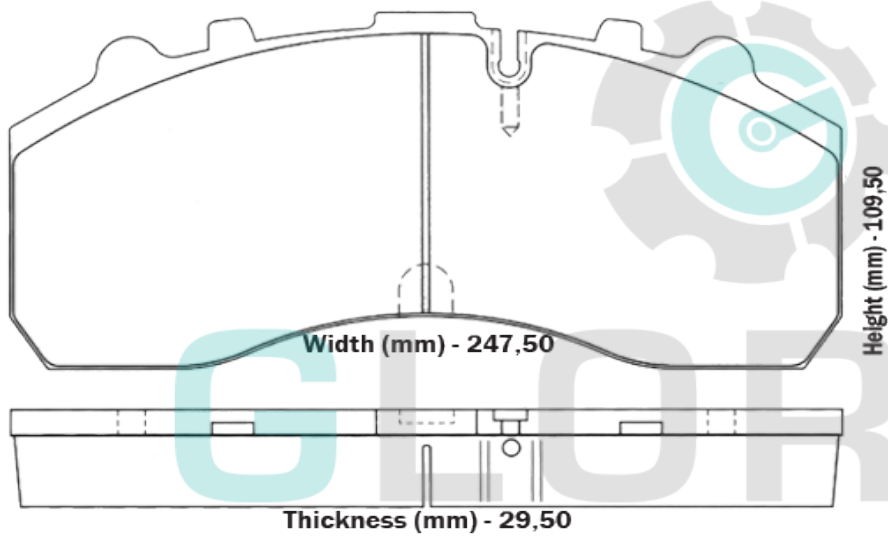
Applications For Vehicle

Kassbohrer

WVA Codes	Replaces	Brake System	Product Code
29087	9291037	Knorr SB 7000	77-0087 →
29059	8285000571		GOLD 55-0087
29061	8285515573		
29108			
29163			
29179			
29201			
29105			
29106			
29108			
29109			
29154			
29253			
29278			
29108			
29109			
29154			
29253			
29278			
29108			
29109			
29154			
29253			
29278			

Please ask for additional information about **GOLD** quality and assembly of repair kits

Front	Rear	Q-ty
✓	✓	4



4-Springs, 2-Caps, 2 Pins, 2-Washers,
2-Rubber Caps, 2-Fixing Springs, 1-Spanner

Vehicle Model

For detailed information please see catalogue back pages

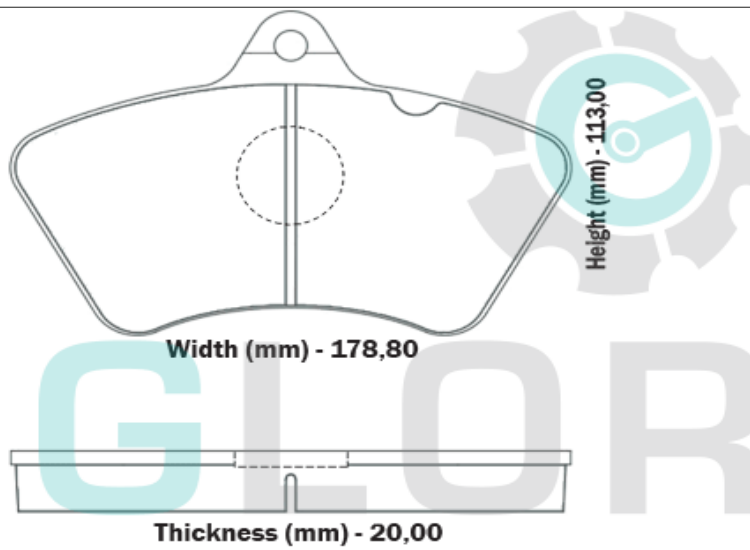
Applications For Vehicle

Kassbohrer

WVA Codes 29498	Replaces 8284000146 8284000196 8284058203	Brake System Knorr 2V20	Product Code 77-0087 GOLD 55-0087 →
---------------------------	-----------------------------------------------------------	-----------------------------------	----------------------------------------------------------------

Please ask for additional information about **GOLD** quality and assembly of repair kits

Front	Rear	Q-ty
✓		4



Vehicle Model

For detailed information please see catalogue back pages

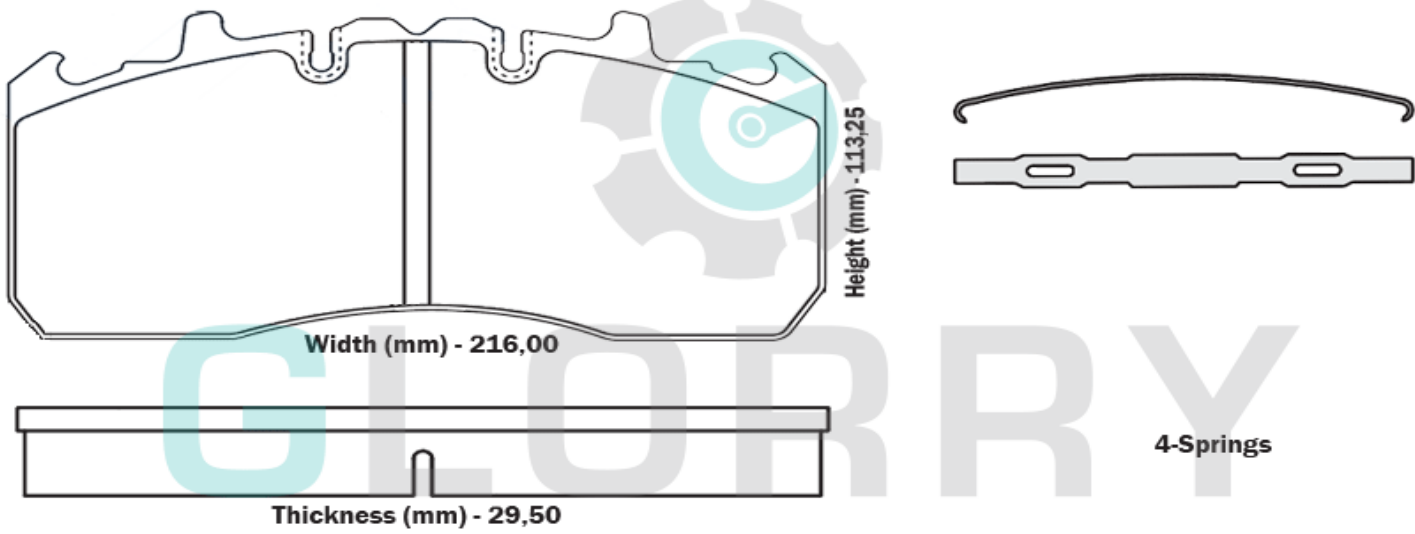
Applications For Vehicle

Meritor

WVA Codes 29211 29291	Replaces 68326055	Brake System Meritor Elsa 225/2	Product Code 77-0211 → GOLD 55-0211
------------------------------------	-----------------------------	----------------------------------------------	----------------------------------------------------------------

Please ask for additional information about **GOLD** quality and assembly of repair kits

Front	Rear	Q-ty
■	✓	4



Vehicle Model

DX 195

For detailed information please see catalogue back pages

Applications For Vehicle

Meritor

WVA Codes
29124

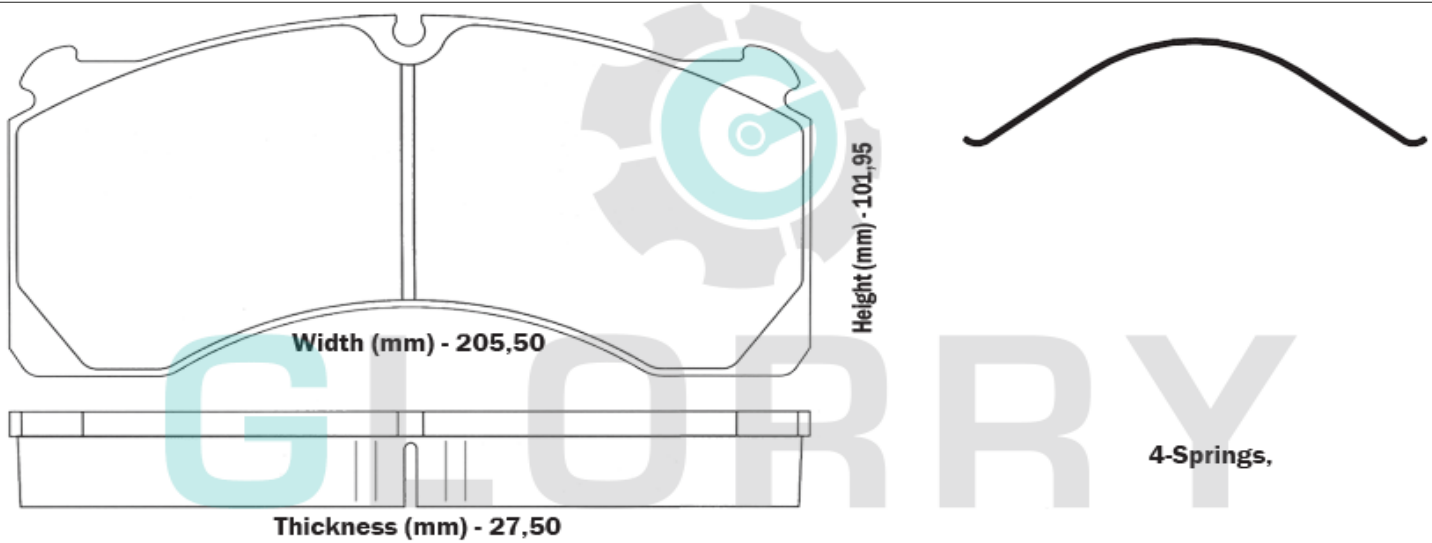
Replaces
MDP1314
MDP5076

Brake System
Meritor
DX 195

Product Code
77-0124
GOLD 55-0124

Please ask for additional information about **GOLD** quality and assembly of repair kits

Front **Rear** **Q-ty**



Vehicle Model

DX 195

For detailed information please see catalogue back pages

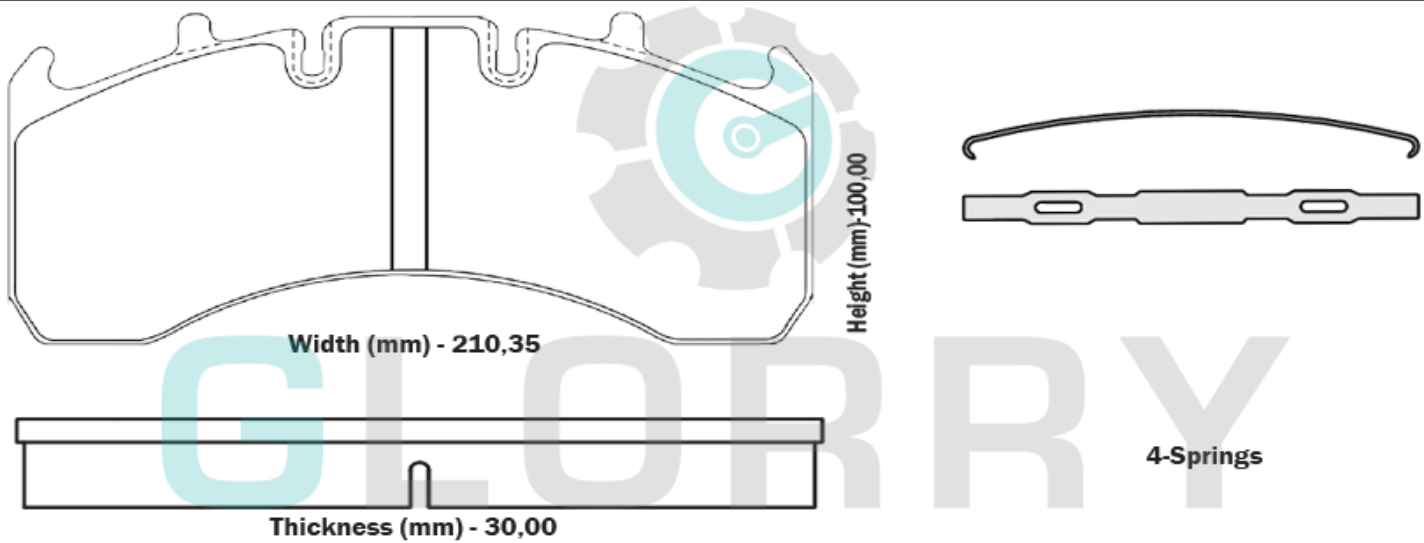
Applications For Vehicle

Meritor

WVA Codes 29169 29177	Replaces 68324665M13	Brake System Meritor VGT195 Elsa195	Product Code GOLD 55-0169
------------------------------------	--------------------------------	--------------------------------------------------	--------------------------------------------

Please ask for additional information about **GOLD** quality and assembly of repair kits

Front	Rear	Q-ty
✓	✓	4



Vehicle Model

For detailed information please see catalogue back pages

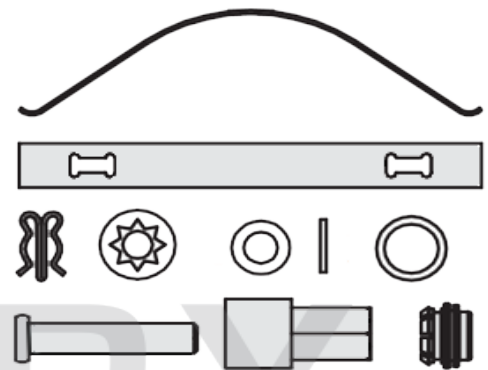
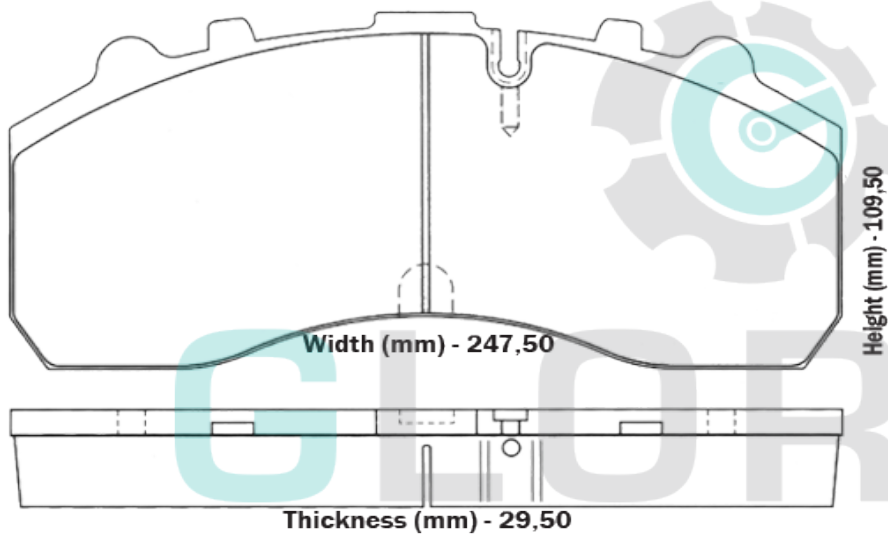
Applications For Vehicle

SAF

WVA Codes	Replaces	Brake System	Product Code
29087	1105624	Knorr SB 7000	77-0087 →
29059	3057007700		GOLD 55-0087
29061	4057427700		
29108	5317002300		
29163	5317002400		
29179			
29201			
29105			
29106			
29108			
29109			
29154			
29253			
29278			
29108			
29109			
29154			
29253			
29278			
29108			
29109			
29154			
29253			
29278			

Please ask for additional information about **GOLD** quality and assembly of repair kits

Front	Rear	Q-ty
✓	✓	4



4-Springs, 2-Caps, 2 Pins, 2-Washers,
2-Rubber Caps, 2-Fixing Springs, 1-Spanner

Vehicle Model

For detailed information please see catalogue back pages

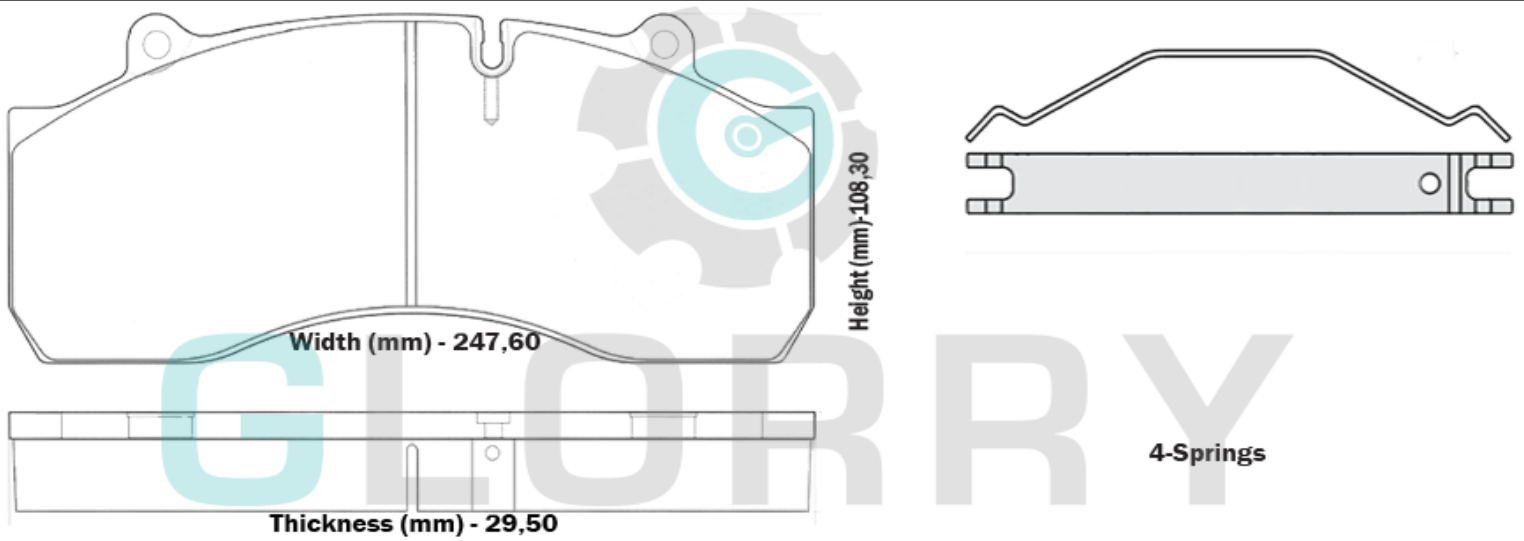
Applications For Vehicle

SAF

WVA Codes 29143 29120 29176	Replaces 3057317900	Brake System Haldex DB 22	Product Code 77-0143 GOLD 55-0143 →
---------------------------------------------	-------------------------------	-------------------------------------	----------------------------------------------------------------

Please ask for additional information about **GOLD** quality and assembly of repair kits

Front	Rear	Q-ty
<input type="checkbox"/>	<input checked="" type="checkbox"/>	4



Vehicle Model

For detailed information please see catalogue back pages

Applications For Vehicle

SAF

WVA Codes
29158
29269

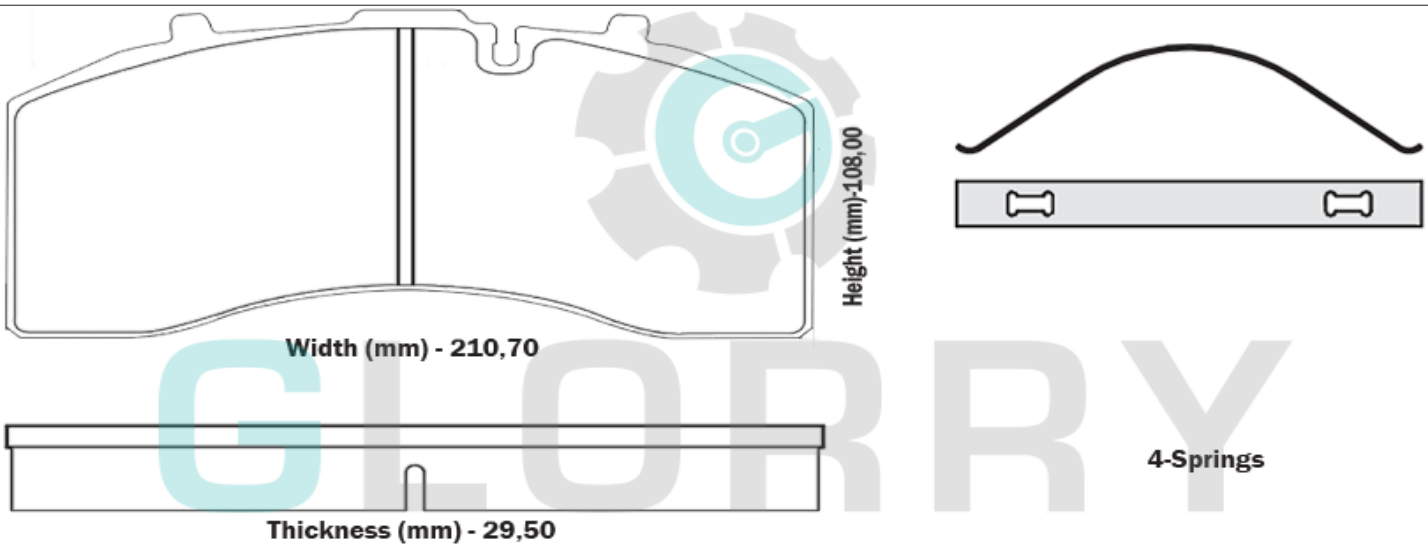
Replaces
3057008500

Brake System
Knorr SK 7

Product Code
77-0158 →
GOLD 55-0158

Please ask for additional information about **GOLD** quality and assembly of repair kits

Front **Rear** **Q-ty**
■ **4**



Vehicle Model

For detailed information please see catalogue back pages

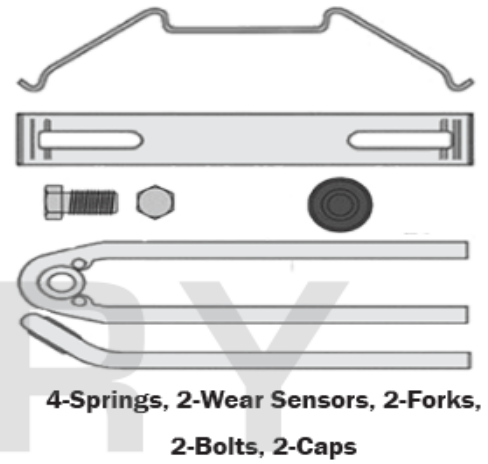
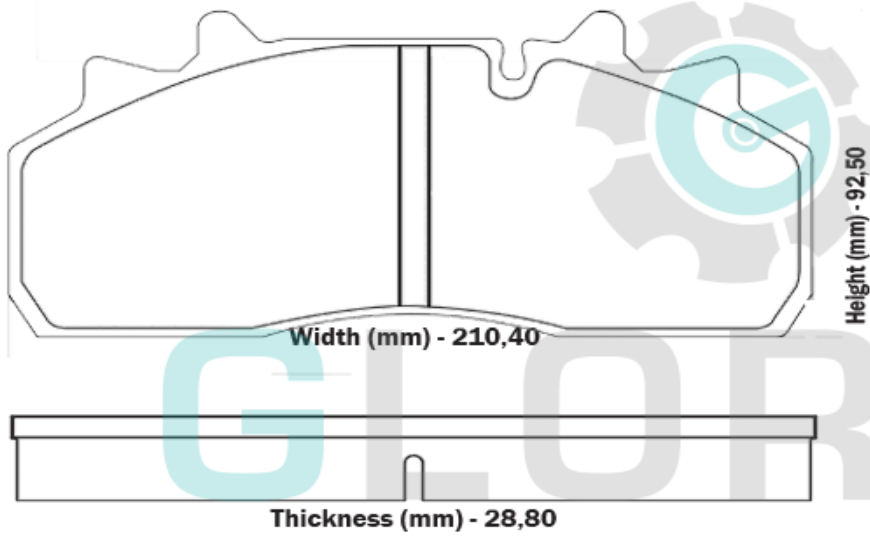
Applications For Vehicle

SAF

WVA Codes 29159	Replaces 3057008000 3057008001	Brake System Wabco Pan-19/1	Product Code 77-0159 GOLD 55-0159
---------------------------	---------------------------------------------	---------------------------------------	--------------------------------------------------------------

Please ask for additional information about **GOLD** quality and assembly of repair kits

Front	Rear	Q-ty
<input type="checkbox"/>	<input checked="" type="checkbox"/>	4



Vehicle Model

For detailed information please see catalogue back pages

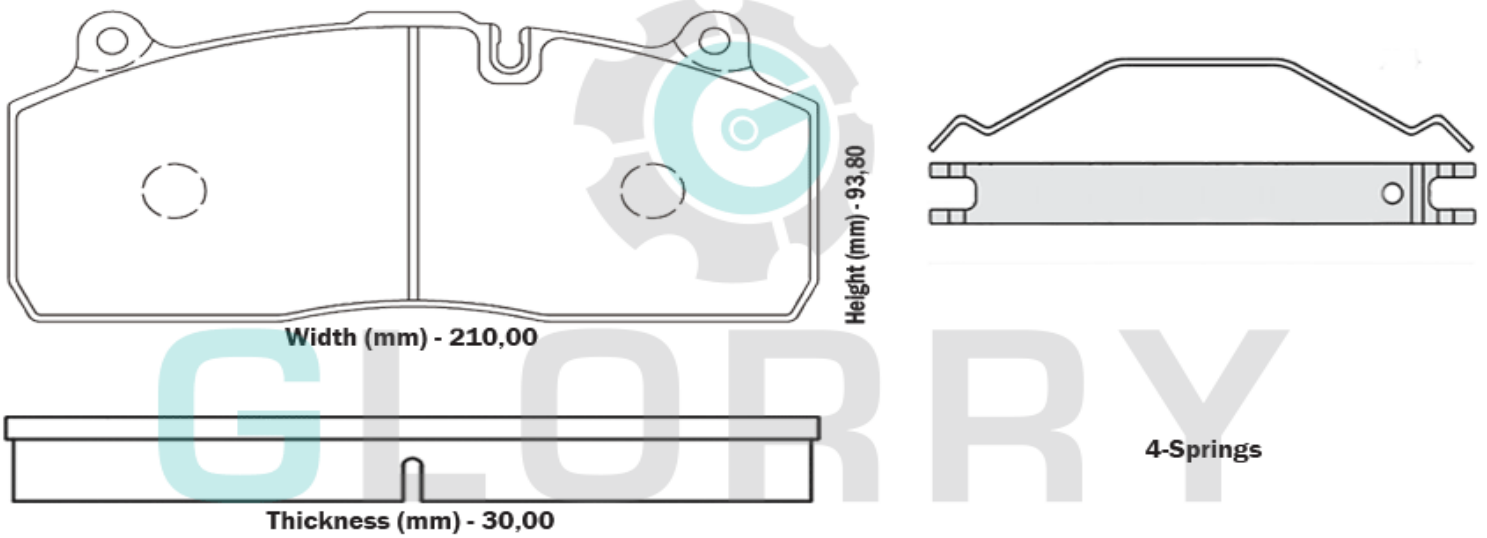
Applications For Vehicle

SAF

WVA Codes	Replaces	Brake System	Product Code
29195 29175	3057009600	Hallex DB22 LT	77-0195 GOLD 55-0195

Please ask for additional information about **GOLD** quality and assembly of **repair kits**

Front	Rear	Q-ty
<input type="checkbox"/>	<input checked="" type="checkbox"/>	4



Vehicle Model

For detailed information please see catalogue back pages

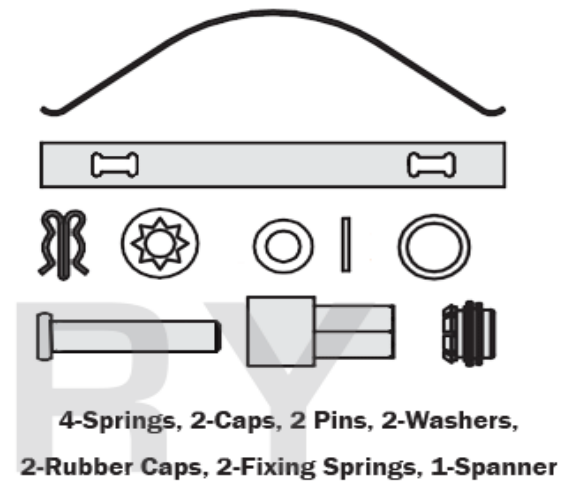
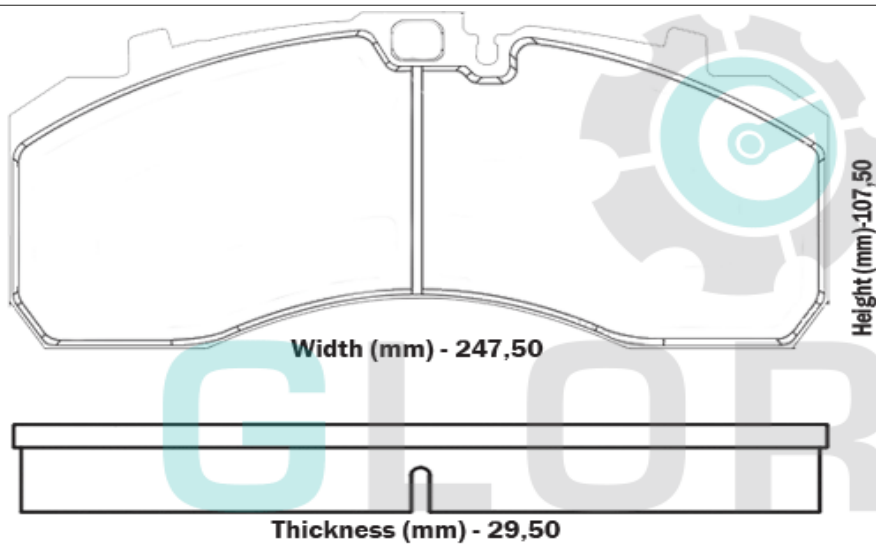
Applications For Vehicle

SAF

WVA Codes	Replaces	Brake System	Product Code
29278	3057007700	Knorr SN7/SB7	77-0253 →
29253	3057007701		GOLD 55-0253
	3057007900		
	5317002300		

Please ask for additional information about **GOLD** quality and assembly of repair kits

Front	Rear	Q-ty
✓	✓	4



Vehicle Model

For detailed information please see catalogue back pages

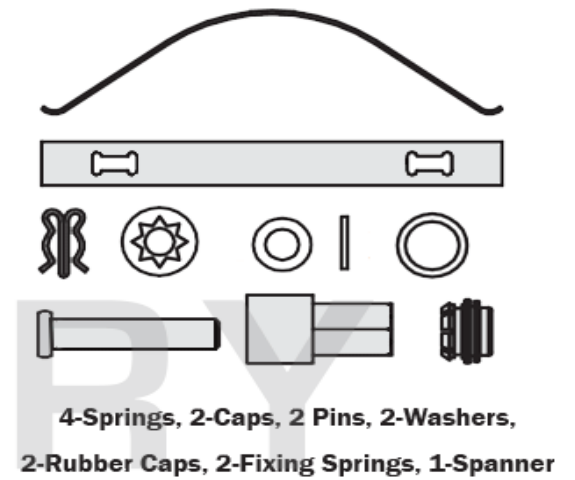
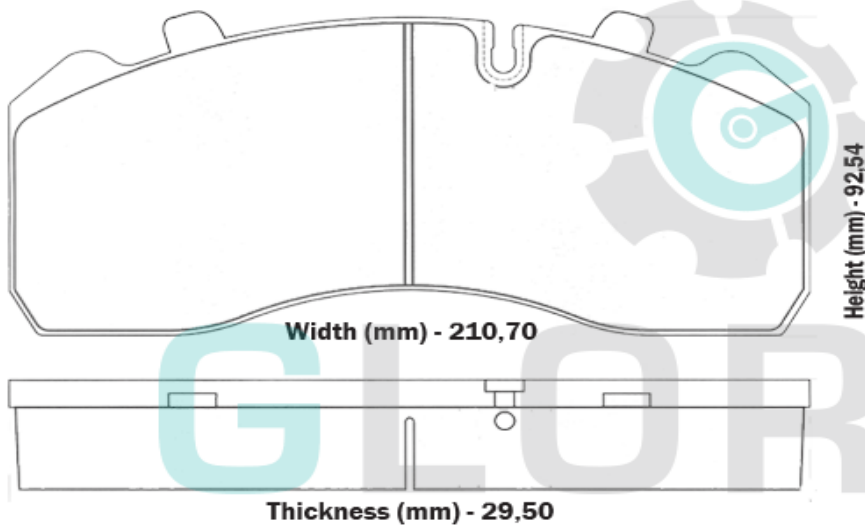
Applications For Vehicle

SAF

WVA Codes	Replaces	Brake System	Product Code
29094	3057007800	Knorr SB 6000	77-0094 →
29093	3057007801		GOLD 55-0094
29095	5317002400		
29197			

Please ask for additional information about **GOLD** quality and assembly of repair kits

Front	Rear	Q-ty
✓		4



Vehicle Model

For detailed information please see catalogue back pages

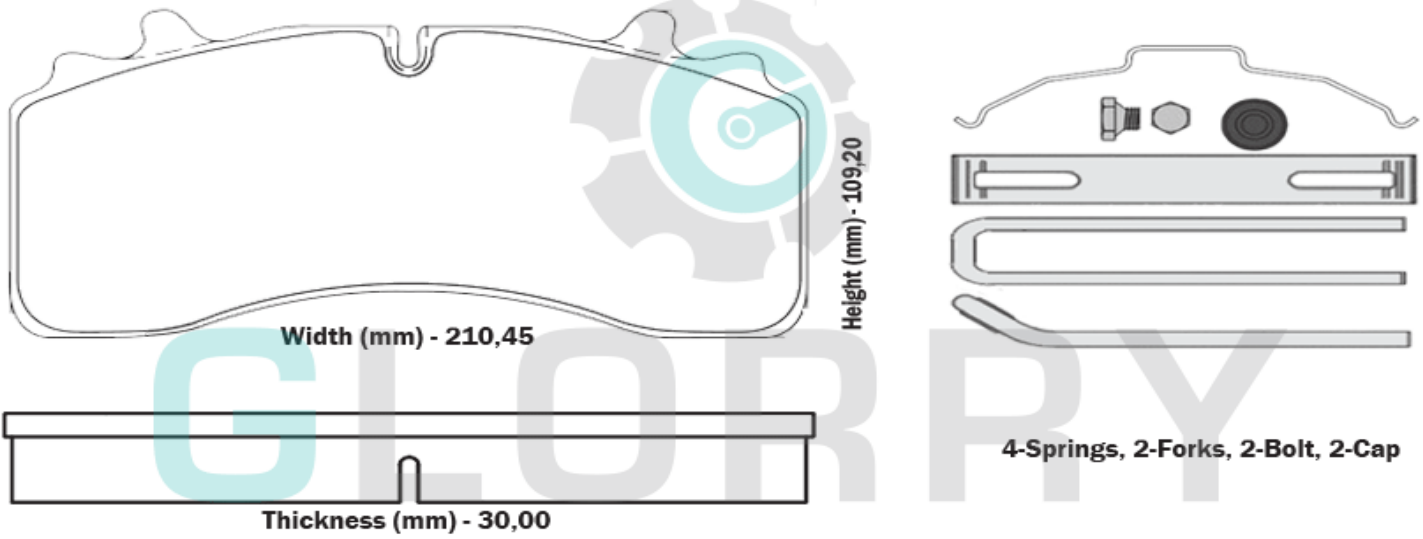
Applications For Vehicle

SAF

WVA Codes	Replaces	Brake System	Product Code
29162	0233501309	Wabco	77-0162 →
29336	3057008400	PAN 22-1	GOLD 55-0162
	3057008401		

Please ask for additional information about **GOLD** quality and assembly of repair kits

Front	Rear	Q-ty
✓		4



Vehicle Model

For detailed information please see catalogue back pages

Applications For Vehicle

Schmitz

WVA Codes
29158
29269

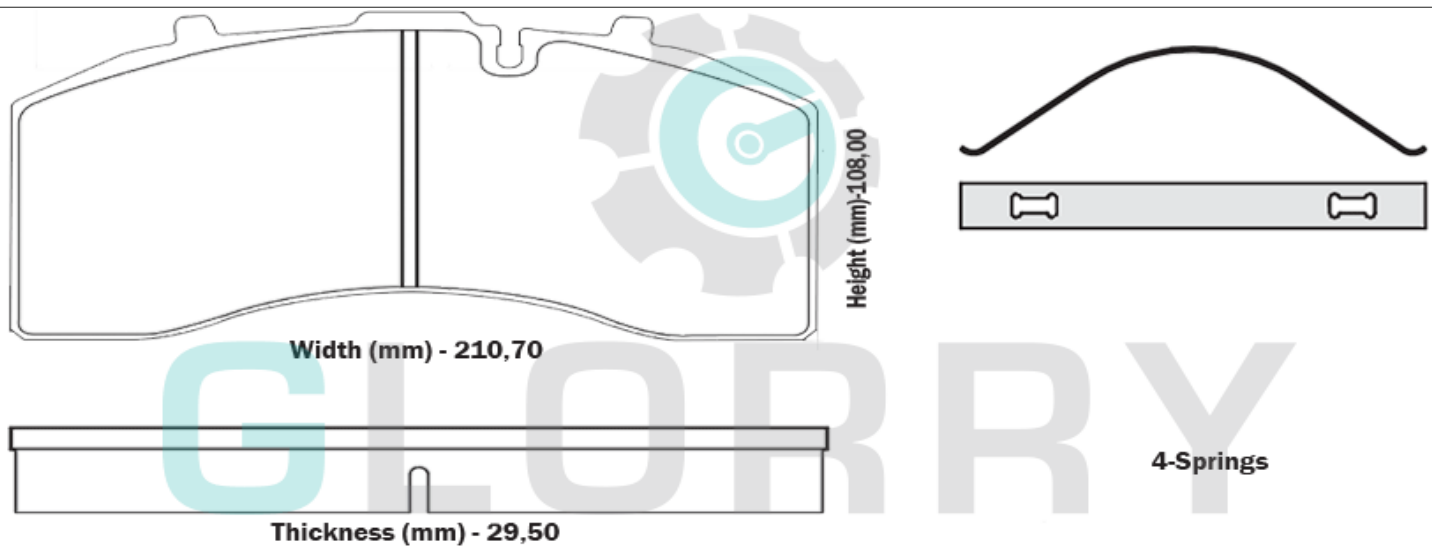
Replaces
1008452

Brake System
Knorr SK 7

Product Code
77-0158 →
GOLD 55-0158

Please ask for additional information about **GOLD** quality and assembly of repair kits

Front **Rear** **Q-ty**
■ 4



4-Springs

Vehicle Model

For detailed information please see catalogue back pages

Applications For Vehicle

Schmitz

WVA Codes
29328
29329

Replaces
1178243

Brake System
Knorr ST7-430

Product Code
77-0328
GOLD 55-0328



Please ask for additional information about **GOLD** quality and assembly of **repair kits**

Front	Rear	Q-ty
<input type="checkbox"/>	<input checked="" type="checkbox"/>	<input type="checkbox" value="4"/>

Vehicle Model

For detailed information please see catalogue back pages

Applications For Vehicle

Berkhof

WVA Codes
29278
29253

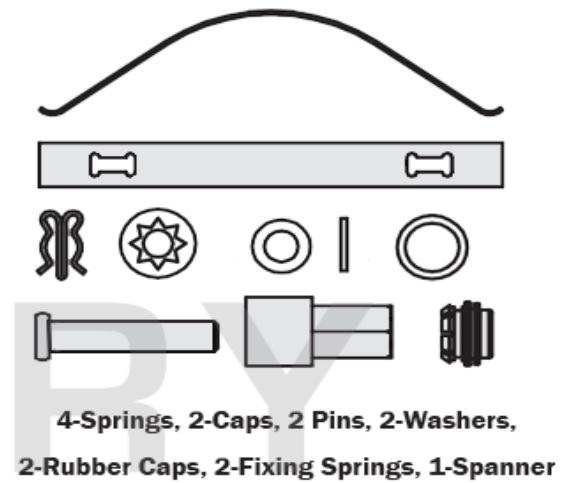
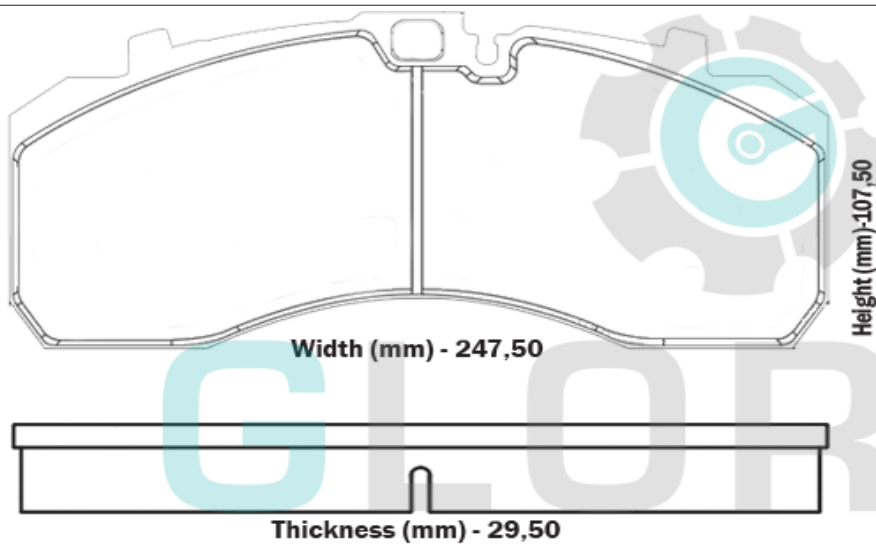
Replaces

Brake System
Knorr SN7/SB7

Product Code
77-0253
GOLD 55-0253

Please ask for additional information about **GOLD** quality and assembly of repair kits

Front **Rear** **Q-ty**
✓ ✓ 4



Vehicle Model

Ambassador
ALE 106-205
ALE 120-205

For detailed information please see catalogue back pages

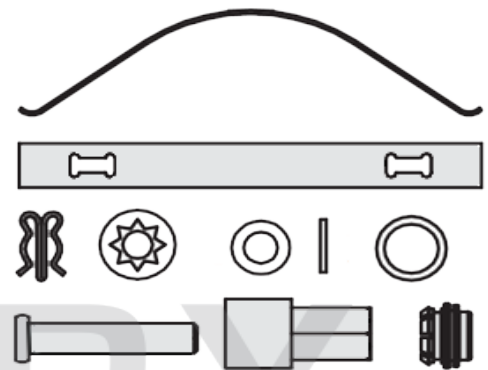
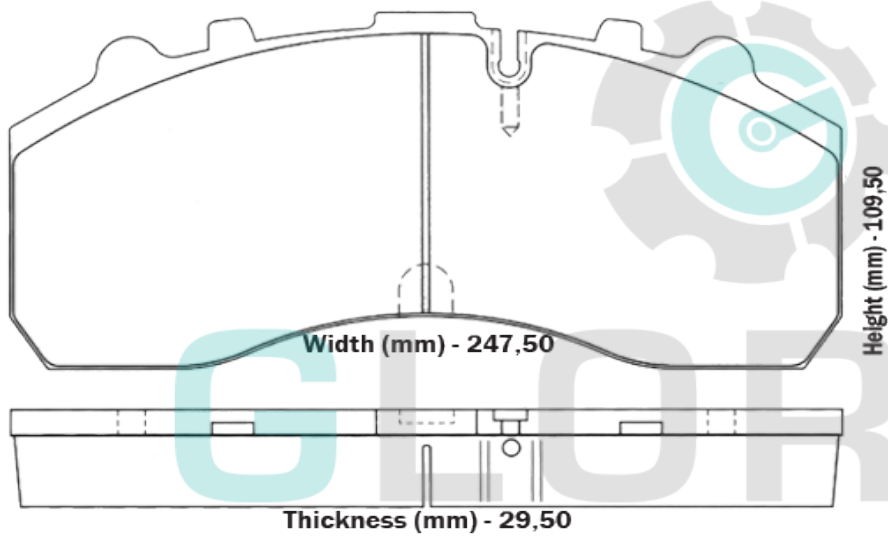
Applications For Vehicle

Bova

WVA Codes	Replaces	Brake System	Product Code
29087	204552	Knorr SB 7000	77-0087 →
29059			GOLD 55-0087
29061			
29108			
29163			
29179			
29201			
29105			
29106			
29108			
29109			
29154			
29253			
29278			
29108			
29109			
29154			
29253			
29278			
29108			
29109			
29154			
29253			
29278			

Please ask for additional information about **GOLD** quality and assembly of repair kits

Front	Rear	Q-ty
✓	✓	4



4-Springs, 2-Caps, 2 Pins, 2-Washers,
2-Rubber Caps, 2-Fixing Springs, 1-Spanner

Vehicle Model

Futura
Lexio
Synergy

For detailed information please see catalogue back pages

Applications For Vehicle

Bova

WVA Codes
29278
29253

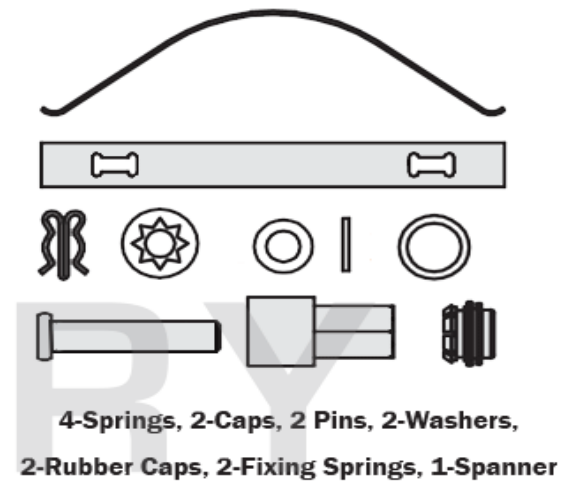
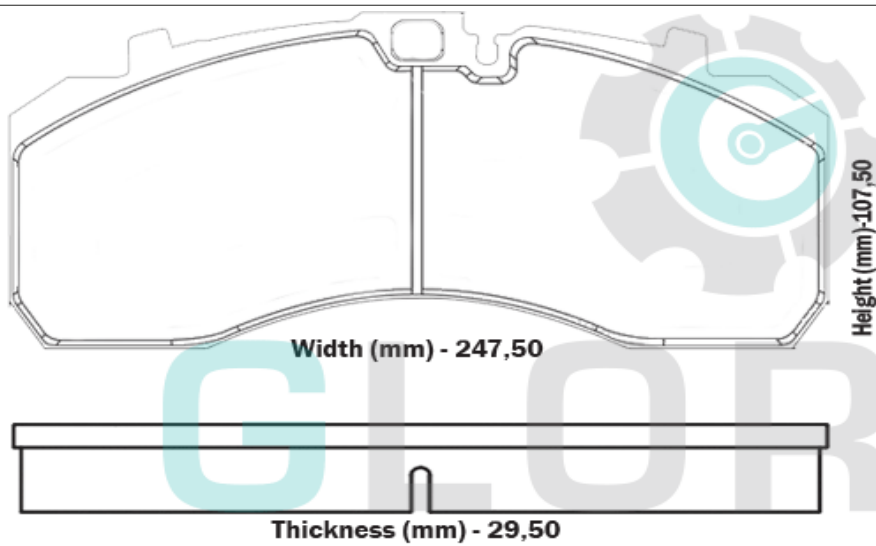
Replaces
44202220

Brake System
Knorr SN7/SB7

Product Code
77-0253 →
GOLD 55-0253

Please ask for additional information about **GOLD** quality and assembly of repair kits

Front **Rear** **Q-ty**
✓ ✓ 4



Vehicle Model

Futura
Lexio
Magiq
Synergy

For detailed information please see catalogue back pages

Applications For Vehicle

Bova

WVA Codes
29747

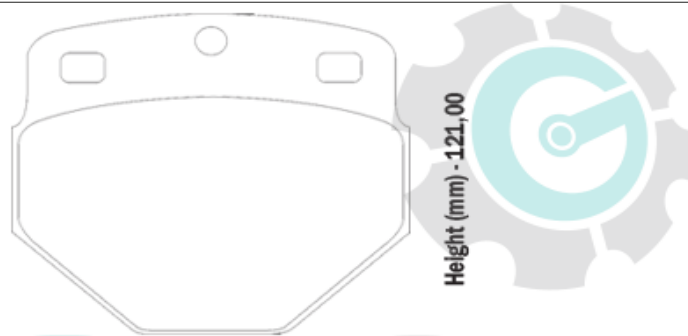
Replaces
180220062

Brake System
Knorr K-85

Product Code
77-0747
GOLD 55-0747

Please ask for additional information about **GOLD** quality and assembly of **repair kits**

Front **Rear** **Q-ty**



Width (mm) - 139,50



Thickness (mm) - 32,00

GLORRY

Vehicle Model

Futura

For detailed information please see catalogue back pages

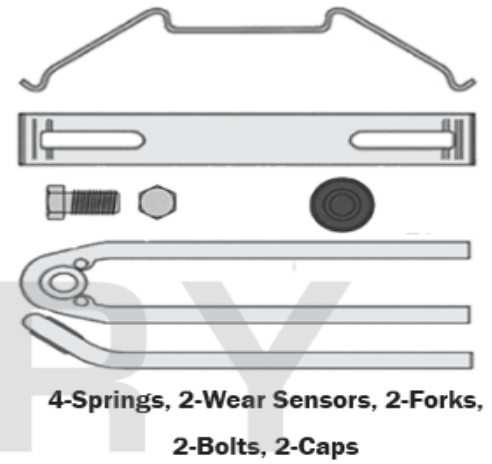
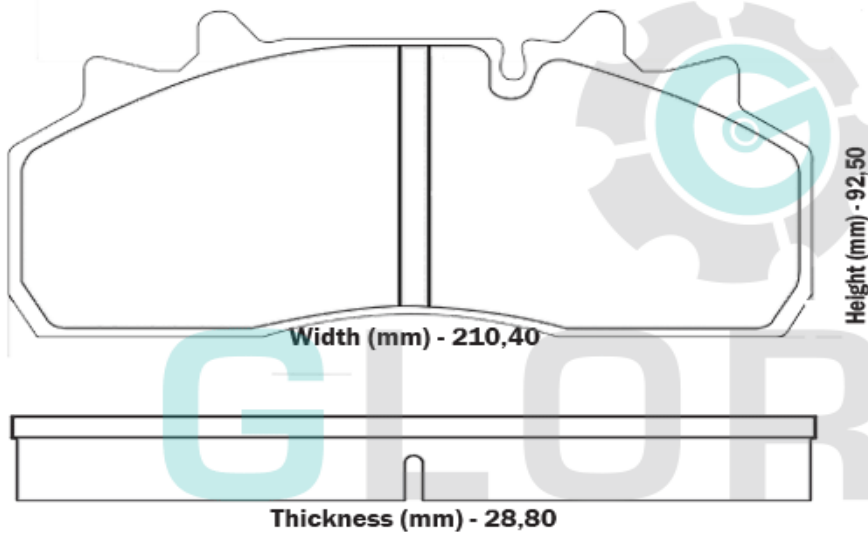
Applications For Vehicle

Dennis

WVA Codes 29159	Replaces 3057008000 3057008001	Brake System Wabco Pan-19/1	Product Code 77-0159 GOLD 55-0159
---------------------------	---------------------------------------------	---------------------------------------	--------------------------------------------------------------

Please ask for additional information about **GOLD** quality and assembly of repair kits

Front	Rear	Q-ty
■	✓	4



Vehicle Model

Enviro Line

For detailed information please see catalogue back pages

Applications For Vehicle

Dennis

WVA Codes
29090

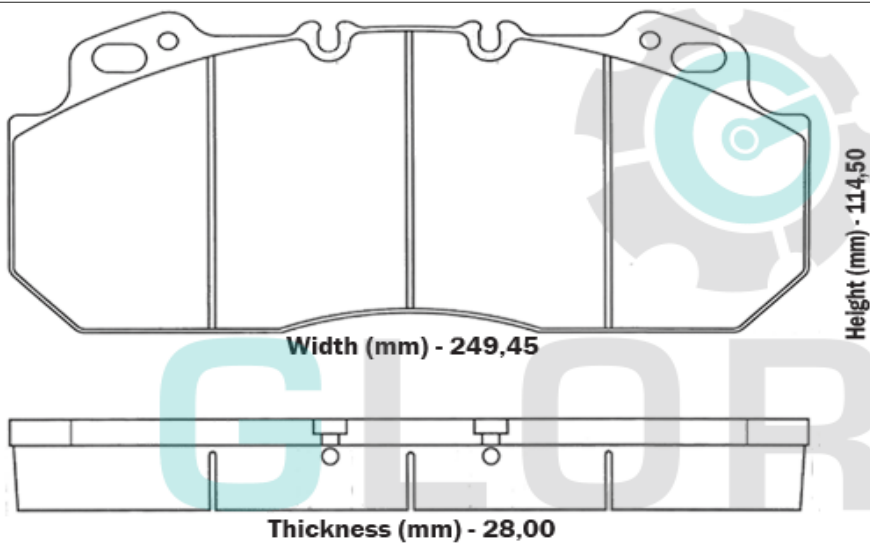
Replaces

Brake System
Meritor D-Lisa

Product Code
77-0090
GOLD 55-0090

Please ask for additional information about **GOLD** quality and assembly of repair kits

Front Rear Q-ty 4



4-Springs, 2-Wear Sensors, 8-Caliper Springs
8-Pins

Vehicle Model

Eagle
Arrow
Dart Series
Elite
Javelin Series
Phonix 2
Javelin

For detailed information please see catalogue back pages

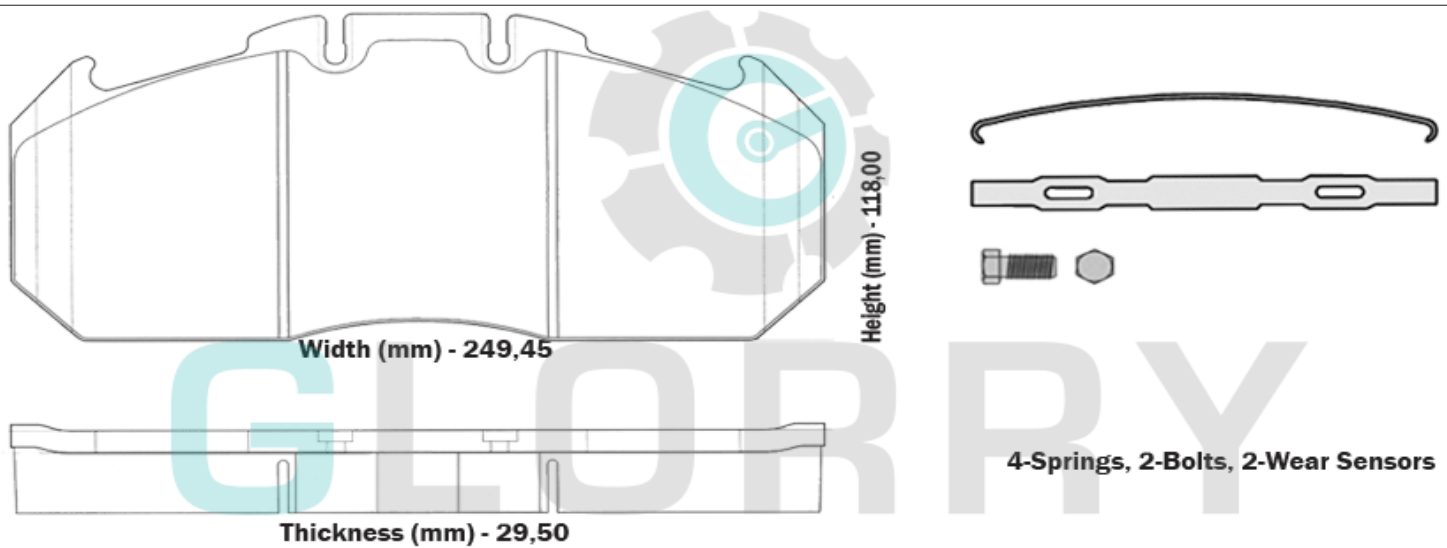
Applications For Vehicle

Irisbus

WVA Codes 29131	Replaces 5006028410 2996068 5001020312	Brake System Meritor D-Elsa2	Product Code 77-0131 → GOLD 55-0131
---------------------------	--------------------------------------------------------	----------------------------------------	----------------------------------------------------------------

Please ask for additional information about **GOLD** quality and assembly of repair kits

Front	Rear	Q-ty
✓	✓	4



Vehicle Model

Access Bus
Agora
Arway
Axer
Citelis
Crealis
Crossway
Domino
Evadays
Magelys
Proway
Recreo

For detailed information please see catalogue back pages

Applications For Vehicle

Irisbus

WVA Codes
29090

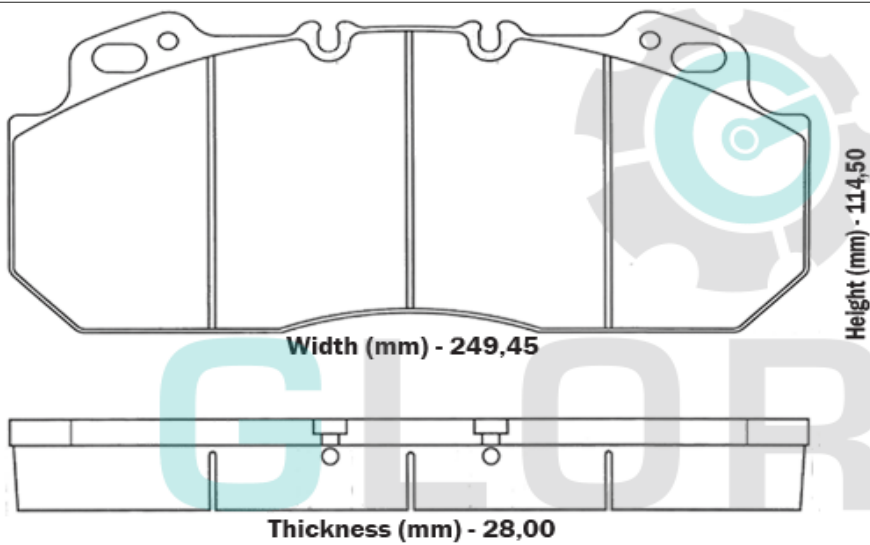
Replaces

Brake System
Meritor D-Lisa

Product Code
77-0090
GOLD 55-0090

Please ask for additional information about **GOLD** quality and assembly of **repair kits**

Front **Rear** **Q-ty**
✓ ✓ 4



4-Springs, 2-Wear Sensors, 8-Caliper Springs
8-Pins

Vehicle Model

Access Bus
Citelis
Crealis

For detailed information please see catalogue back pages

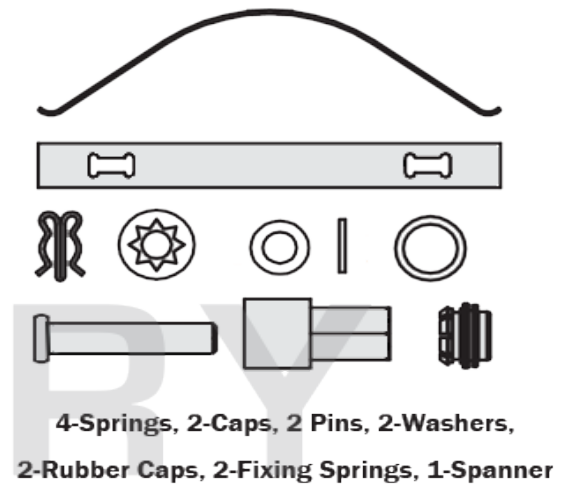
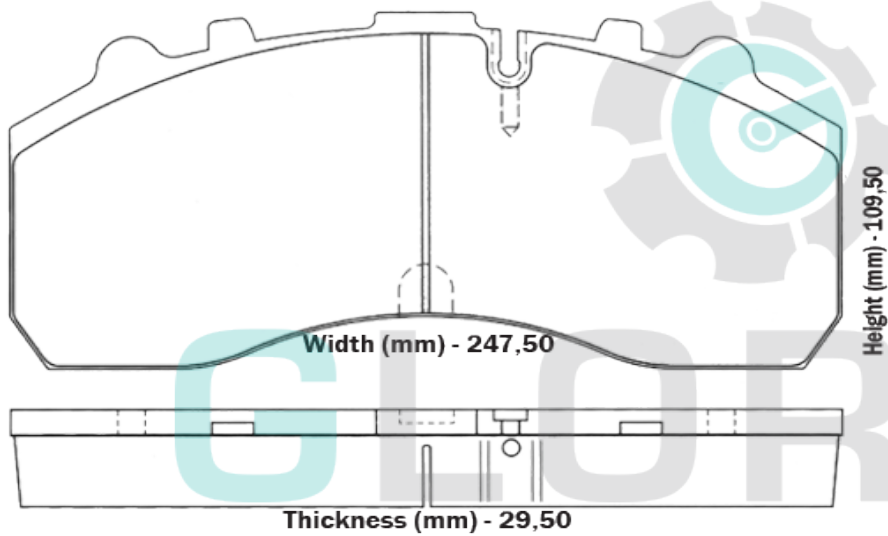
Applications For Vehicle

Neoplan

WVA Codes	Replaces	Brake System	Product Code
29087	082134000	Knorr SB 7000	77-0087 →
29059	082135100		GOLD 55-0087
29061			
29108			
29163			
29179			
29201			
29105			
29106			
29108			
29109			
29154			
29253			
29278			
29108			
29109			
29154			
29253			
29278			
29108			
29109			
29154			
29253			
29278			

Please ask for additional information about **GOLD** quality and assembly of repair kits

Front	Rear	Q-ty
✓	✓	4



Vehicle Model

- Cityliner
- Euroliner
- Jetliner
- Megaliner
- Megashuttle
- Skyliner
- Spaceliner
- Sportliner
- Starliner
- Tourliner
- Transliner

For detailed information please see catalogue back pages

Applications For Vehicle

Neoplan

WVA Codes
29747

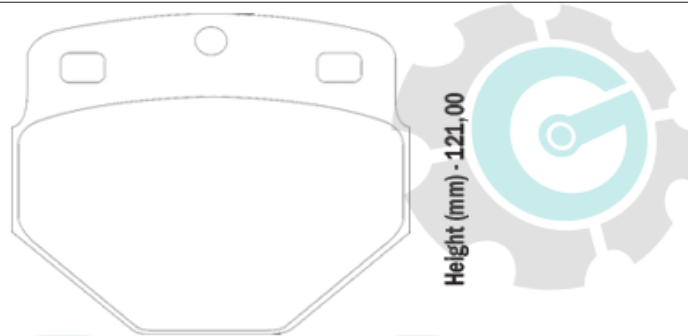
Replaces
180220062

Brake System
Knorr K-85

Product Code
77-0747
GOLD 55-0747

Please ask for additional information about **GOLD** quality and assembly of repair kits

Front Rear Q-ty
 4



Width (mm) - 139,50



Thickness (mm) - 32,00

G L O R R Y

Vehicle Model

Jetliner
N-Serie

For detailed information please see catalogue back pages

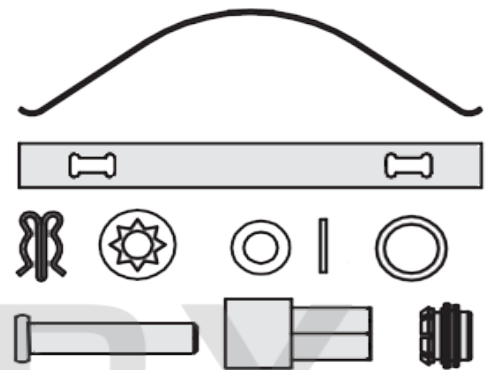
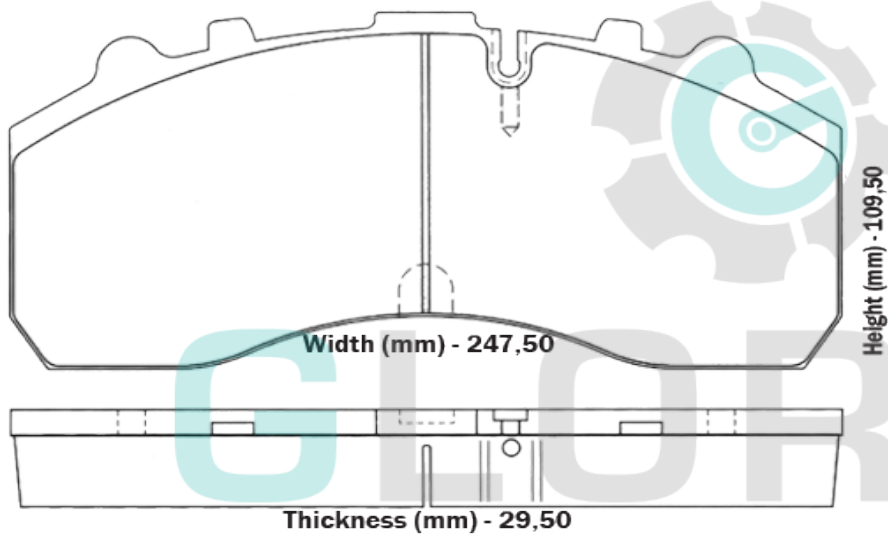
Applications For Vehicle

Setra

WVA Codes	Replaces	Brake System	Product Code
29087		Knorr SB 7000	77-0087 → GOLD 55-0087
29059			
29061			
29108			
29163			
29179			
29201			
29105			
29106			
29108			
29109			
29154			
29253			
29278			
29108			
29109			
29154			
29253			
29278			
29108			
29109			
29154			
29253			
29278			

Please ask for additional information about **GOLD** quality and assembly of repair kits

Front	Rear	Q-ty
✓	✓	4



4-Springs, 2-Caps, 2 Pins, 2-Washers,
2-Rubber Caps, 2-Fixing Springs, 1-Spanner

Vehicle Model

Series 300
Series 400

For detailed information please see catalogue back pages

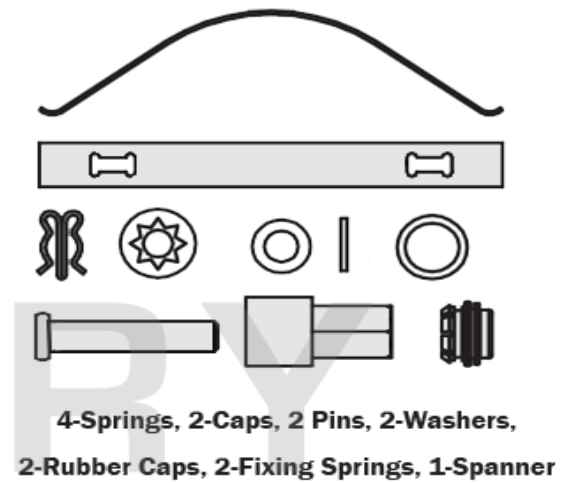
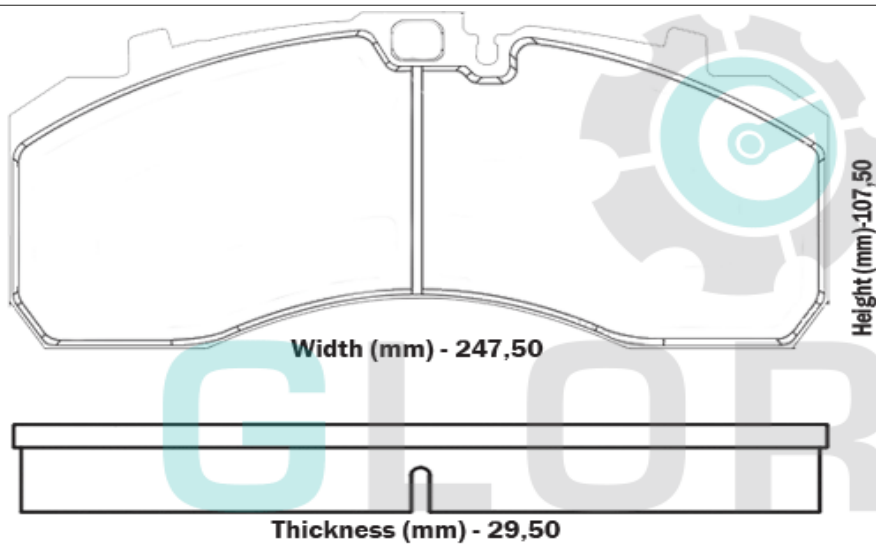
Applications For Vehicle

Setra

WVA Codes	Replaces	Brake System	Product Code
29278	A0004214310	Knorr SN7/SB7	77-0253 →
29253	A0064201020		GOLD 55-0253
	Q-82855-15554		
	Q-82855-15573		

Please ask for additional information about **GOLD** quality and assembly of repair kits

Front	Rear	Q-ty
✓	✓	4



Vehicle Model

Series 400

For detailed information please see catalogue back pages

Applications For Vehicle

Setra

WVA Codes
29747

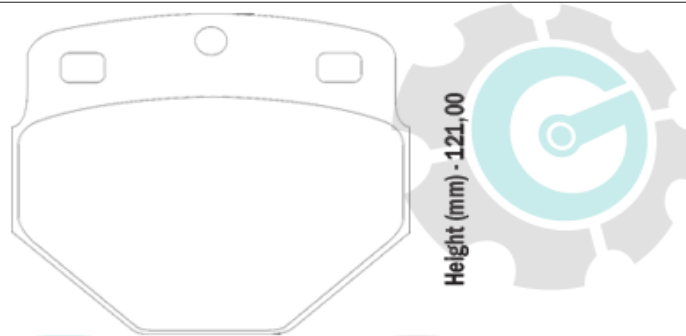
Replaces
0054206820
179241111131
54206820

Brake System
Knorr K-85

Product Code
77-0747 →
GOLD 55-0747

Please ask for additional information about **GOLD** quality and assembly of **repair kits**

Front	Rear	Q-ty
<input checked="" type="checkbox"/>	<input type="checkbox"/>	4



Width (mm) - 139,50



Thickness (mm) - 32,00

GLORRY

Vehicle Model

For detailed information please see catalogue back pages

Applications For Vehicle

Setra

WVA Codes
29498

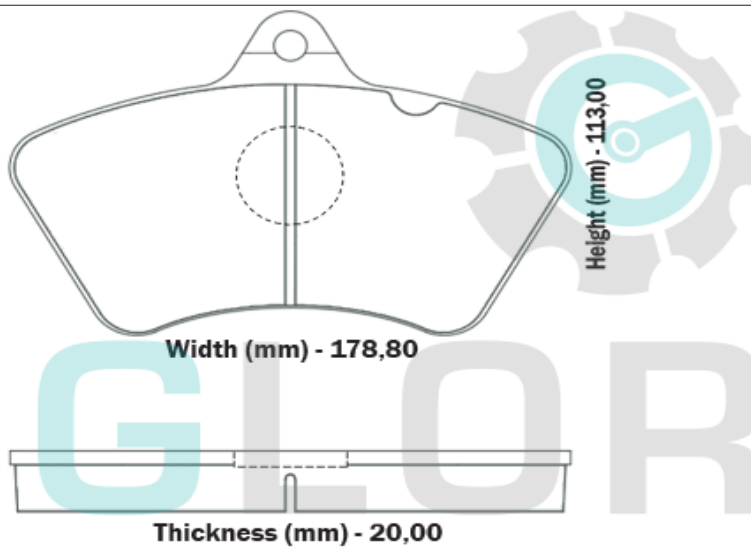
Replaces
828400034
828400047

Brake System
Knorr 2V20

Product Code
77-0747 →
GOLD 55-0747

Please ask for additional information about **GOLD** quality and assembly of repair kits

Front **Rear** **Q-ty**
✓ ■ 8



Vehicle Model

Series 200
Series 300

For detailed information please see catalogue back pages

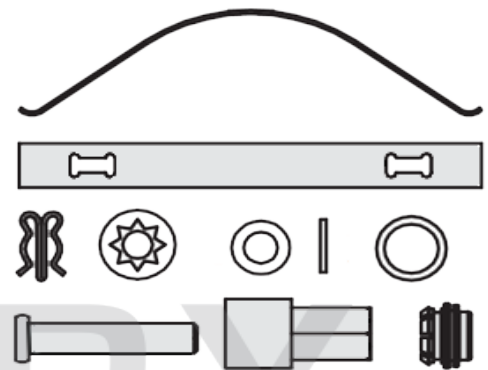
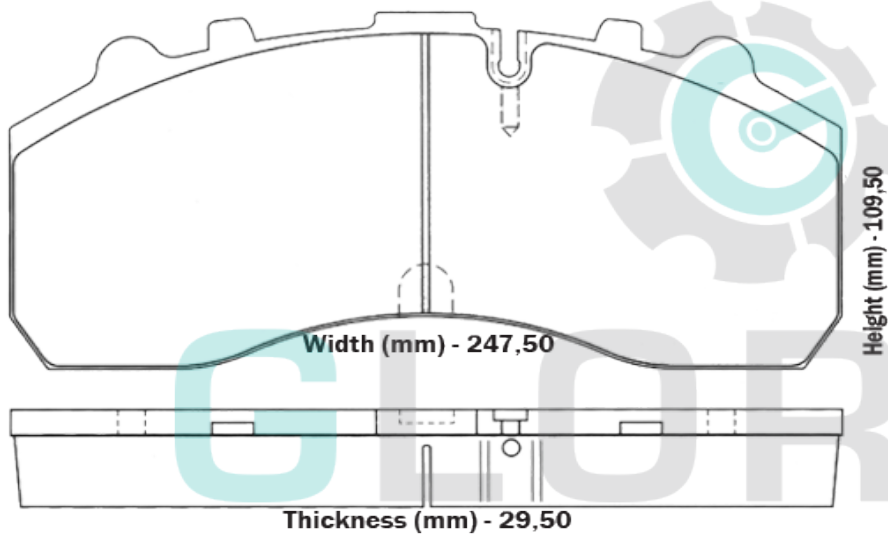
Applications For Vehicle

Solaris

WVA Codes	Replaces	Brake System	Product Code
29087		Knorr SB 7000	77-0087 → GOLD 55-0087
29059			
29061			
29108			
29163			
29179			
29201			
29105			
29106			
29108			
29109			
29154			
29253			
29278			
29108			
29109			
29154			
29253			
29278			
29108			
29109			
29154			
29253			
29278			

Please ask for additional information about **GOLD** quality and assembly of repair kits

Front	Rear	Q-ty
✓	✓	4



4-Springs, 2-Caps, 2 Pins, 2-Washers,
2-Rubber Caps, 2-Fixing Springs, 1-Spanner

Vehicle Model

Alpino
Urbino
Vacanza

For detailed information please see catalogue back pages

Applications For Vehicle

Solaris

WVA Codes
29278
29253

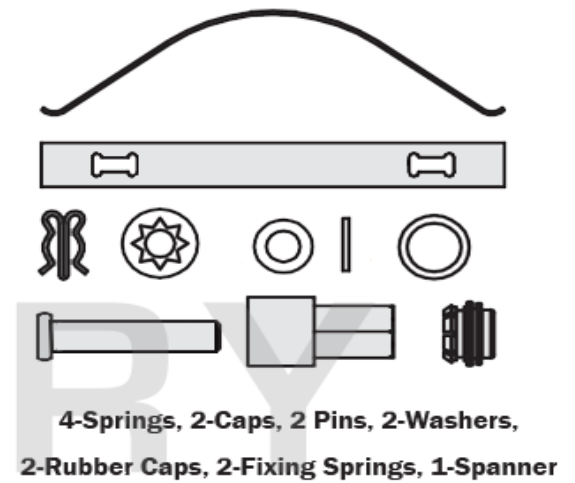
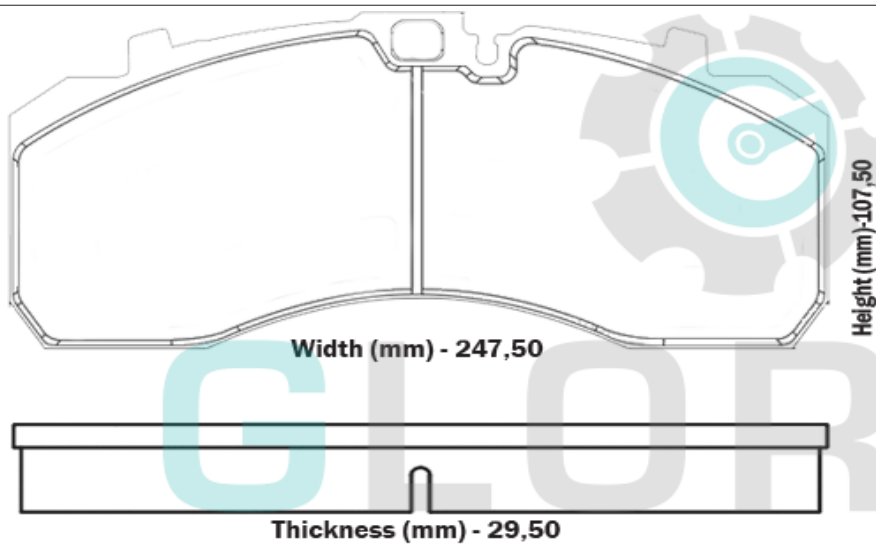
Replaces

Brake System
Knorr SN7/SB7

Product Code
77-0253
GOLD 55-0253

Please ask for additional information about **GOLD** quality and assembly of repair kits

Front	Rear	Q-ty
✓	✓	4



Vehicle Model

Alpino
Urbino
Vacanza

For detailed information please see catalogue back pages

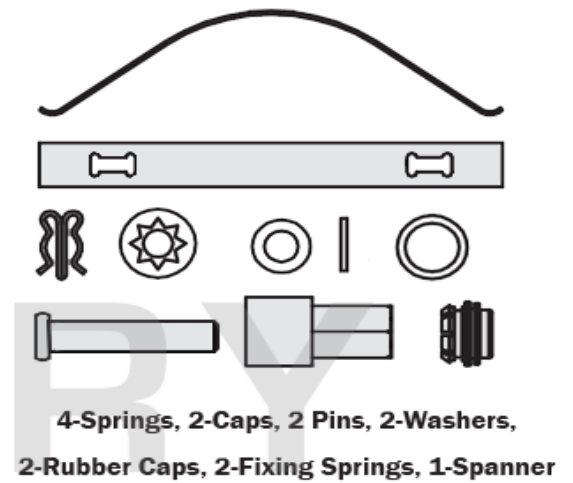
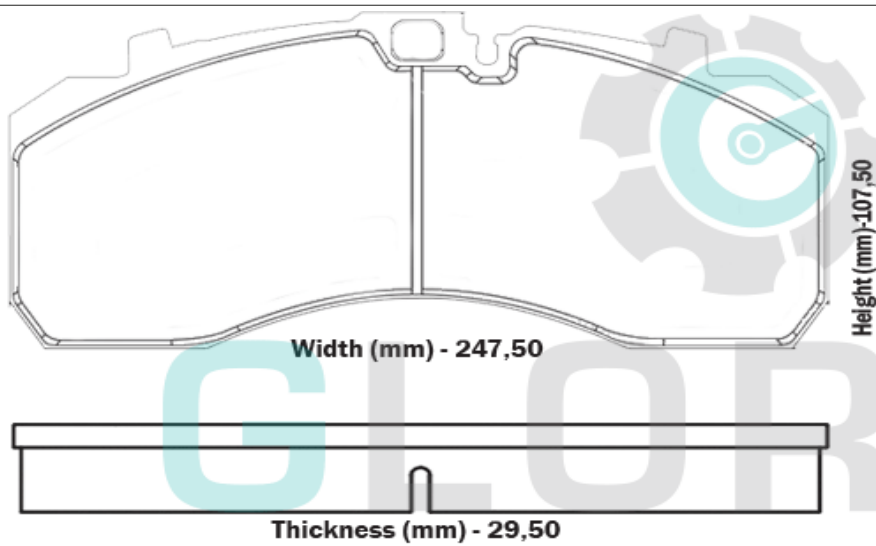
Applications For Vehicle

Vanhool

WVA Codes 29278 29253	Replaces 11022968	Brake System Knorr SN7/SB7	Product Code 77-0253 GOLD 55-0253
------------------------------------	-----------------------------	--------------------------------------	--------------------------------------------------------------

Please ask for additional information about **GOLD** quality and assembly of repair kits

Front	Rear	Q-ty
✓	✓	4



Vehicle Model

For detailed information please see catalogue back pages

Applications For Vehicle

Vanhool

WVA Codes
29747

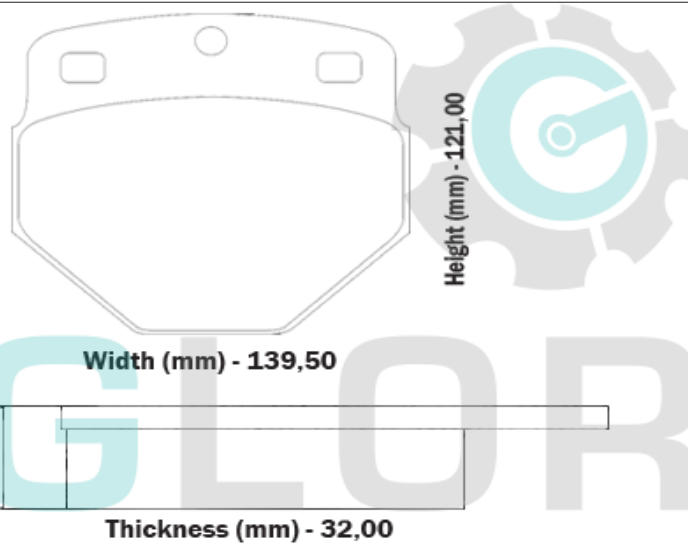
Replaces

Brake System
Knorr K-85

Product Code
77-0747 →
GOLD 55-0747

Please ask for additional information about **GOLD** quality and assembly of **repair kits**

Front **Rear** **Q-ty**
✓ ■ 4



Vehicle Model

A-series

For detailed information please see catalogue back pages

WVA: 29246, 29247,29300,29301,29353,29354

ACTROS MP4

1824L	1824LS	1827L	1827LS	1830L	1830LS	1832L	1832LS	1833L	1833LS	1835L	1835LS	1836L	1836LS	1840L	1840LS
1842L	1842LS	1843L	1843LS	1845L	1845LS	1848L	1848LS	1851L	1851LS	1852L	1852LS	1858L	1858LS	1863L	1863LS
2024L	2024LS	2027L	2027LS	2030L	2030LS	2032L	2032LS	2033L	2033LS	2035L	2035LS	2036L	2036LS	2040L	2040LS
2042L	2042LS	2043L	2043LS	2045L	2045LS	2048L	2048LS	2051L	2051LS	2427LS	2430LS	2432LS	2433LS	2435LS	2436LS
2440LS	2442LS	2443LS	2445LS	2448LS	2451LS	2527L	2527LS	2530L	2530LS	2532L	2532LS	2533L	2533LS	2535L	2535LS
2536L	2536LS	2540L	2540LS	2542L	2542LS	2543L	2543LS	2545L	2545LS	2546	2548L	2548LS	2551L	2551LS	2627L
2627LS	2630L	2630LS	2632L	2632LS	2633L	2633LS	2635L	2635LS	2636L	2636LS	2640L	2640LS	2642L	2642LS	2643L
2643LS	2645L	2645LS	2646	2648L	2648LS	2651L	2651LS	3333L	3333LS	3336L	3336LS	3340L	3340LS	3342L	3342LS
3343L	3343LS	3345L	3345LS	3348L	3348LS	3351L	3351LS	4152LS	4160S						

ANTOS

1824L	1824LS	1827L	1827LS	1830L	1830LS	1832L	1832LS	1833L	1833LS	1835L	1835LS	1836L	1836LS	1840L	1840LS
1842L	1842LS	1843L	1843LS	1845L	1845LS	1848L	1848LS	1851L	1851LS	2024L	2024LS	2027L	2027LS	2030L	2030LS
2032L	2032LS	2033L	2033LS	2035L	2035LS	2036L	2036LS	2040L	2040LS	2042L	2042LS	2043L	2043LS	2045L	2045LS
2048L	2048LS	2051L	2051LS	2427LS	2430LS	2432LS	2433LS	2435LS	2436LS	2440LS	2442LS	2443LS	2445LS	2448LS	2451LS
2527L	2527LS	2530L	2530LS	2532L	2532LS	2533L	2533LS	2535L	2535LS	2536L	2536LS	2540L	2540LS	2542L	2542LS
2543L	2543LS	2545L	2545LS	2548L	2548LS	2551L	2551LS	2627L	2627LS	2630L	2630LS	2632L	2632LS	2633L	2633LS
2635L	2635LS	2636L	2636LS	2640L	2640LS	2642L	2642LS	2643L	2643LS	2645L	2645LS	2648L	2648LS	2651L	2651LS
3333L	3333LS	3336L	3336LS	3340L	3340LS	3342L	3342LS	3343L	3343LS	3345L	3345LS	3348L	3348LS	3351L	3351LS

AROCS

1824	1824K	1824LS	1827	1827K	1827LS	1830	1830K	1830S,	1830LS	1832	1832K	1832S,	1832LS	1833	1833K
1833LS	1835	1835K	1835S,	1835LS	1836	1836K	1836S,	1836LS	1840	1840K	1840LS	1842	1842K	1842LS	1843
1843K	1843LS	1845	1845K	1845LS	1848	1848K	1848LS	1851	1851K	1851LS	2024	2024K	2024S,	2024LS	2027
2027K	2027S,	2027LS	2030	2030K	2030S,	2030LS	2032	2032K	2032S,	2032LS	2033	2033K	2033S,	2033LS	2035
2035K	2035S,	2035LS	2036	2036K	2036S,	2036LS	2040	2040K	2040S,	2040LS	2042	2042K	2042S,	2042LS	2043
2043K	2043S,	2043LS	2045	2045K	2045S,	2045LS	2048	2048K	2048S,	2048LS	2051	2051K	2051S,	2051LS	2527L
2527LS	2530L	2530LS	2532L	2532LS	2533L	2533LS	2535L	2535LS	2536L	2536LS	2540L	2540LS	2542L	2542LS	2543L
2543LS	2545L	2545LS	2548L	2548LS	2551L	2551LS	2552L	2558L	2563L	2627B,	2627LB	2627K,	2627LK	2627L	2627LS
2627S,	2627LS	2627	2627L	2630B,	2630LB	2630K,	2630LK	2630L	2630LS	2630S,	2630LS	2630	2630L	2632B,	2632LB
2632K,	2632LK	2632L	2632LS	2632S,	2632LS	2632	2632L	2633B,	2633LK	2633K,	2633LK	2633L	2633LS	2633S,	2633LS
2633,	2633L	2635B,	2635LB	2635K,	2635LK	2635L	2635LS	2635S,	2635LS	2635	2635L	2636B,	2636LB	2636K,	2636LK
2636L	2636LS	2636S,	2636LS	2636	2636L	2640B,	2640LB	2640K,	2640LK	2640L	2640LS	2640S,	2640LS	2640	2640L
2642B,	2642LB	2642K,	2642LK	2642L	2642LS	2642S,	2642LS	2642	2642L	2643B,	2643LB	2643K,	2643LK	2643L	2643L
2643LS	2643S,	2643LS	2643	2643L	2645B,	2645LB	2645K,	2645LK	2645L	2645LS	2645S,	2645LS	2645	2645L	2648B,
2648LB	2648K,	2648LK	2648L	2648LS	2648S,	2648LS	2648	2648L	2651B,	2651LB	2651K,	2651LK	2651L	2651LS	2651S,
2651LS	2651	2651L	3227B,	3227LB	3227K,	3227LK	3227L	3227LS	3227	3227L	3227L	3230B,	3230LB	3230K,	3230LK
3230L	3230LB	3230K	3230	3230L	3232B,	3232LK	3232L	3232LS	3232	3232L	3232L	3232B,	3232LK	3232	3232L
3233K,	3233LK	3233L	3233LS	3233K	3233	3233L	3235B,	3235LS	3235K,	3235LK	3235L	3235LS	3235L	3235S,	3235LS
3236B,	3236LB	3236K,	3236LK	3236L	3236LB	3236	3236L	3240B,	3240LB	3240K,	3240LK	3240L	3240LS	3240	3240L
3240	3240L	3242B,	3242LB	3242K,	3242LK	3242L	3242LS	3242	3242L	3242B,	3242LB	3242K,	3242LK	3242L	3243L
3243LB	3243K	3243	3243L	3245B,	3245LB	3245K,	3245LK	3245L	3245LS	3245K,	3245LK	3245L	3245LS	3245	3245L
3248LK	3248L	3248LB	3248LK	3248	3248L	3251B,	3251LB	3251K,	3251LK	3251L	3251LS	3251	3251L	3251	3251L
3333LB	3333K	3333LK	3333S,	3333LS	3333	3333L	3336B,	3336LB	3336K,	3336LK	3336S,	3336LS	3336	3336L	3340B,
3340LB	3340K,	3340LK	3340S,	3340LS	3340	3340L	3342B,	3342LB	3342K,	3342LK	3342S,	3342LS	3342	3342L	3343B,
3343LB	3343K,	3343LK	3343S,	3343LS	3343	3343L	3345	3345L	3345L	3345LS	3345K,	3345LK	3345S,	3345LS	3348B,
3348LB	3348K,	3348LK	3348S,	3348LS	3348	3348L	3351B,	3351LB	3351K,	3351LK	3351S,	3351LS	3351	3351L	4133
4133B	4133K	4136	4136B	4136K	4140	4140B	4140K	4142	4142B	4142K	4143	4143B	4143K	4145	4145B
4145K	4148	4148B	4148K	4151	4151B	4151K									

ECONIC 2

1830 LL,	1835 LL,	2630 LL,	2635 LL
----------	----------	----------	---------

WVA: 29244, 29245

ACTROS MP4

1824L	1824LS	1827L	1827LS	1830L	1830LS	1832L	1832LS	1833L	1833LS	1835L	1835LS	1836L	1836LS	1840L	1840LS
1842L	1842LS	1843L	1843LS	1845L	1845LS	1848L	1848LS	1851L	1851LS	1852L	1852LS	1858L	1858LS	1863L	1863LS
2024L	2024LS	2027L	2027LS	2030L	2030LS	2032L	2032LS	2033L	2033LS	2035L	2035LS	2036L	2036LS	2040L	2040LS
2042L	2042LS	2043L	2043LS	2045L	2045LS	2048L	2048LS	2051L	2051LS	2427LS	2430LS	2432LS	2433LS	2435LS	2436LS
2440LS	2442LS	2443LS	2445LS	2448LS	2451LS	2527L	2527LS	2530L	2530LS	2532L	2532LS	2533L	2533LS	2535L	2535LS
2536L	2536LS	2540L	2540LS	2542L	2542LS	2543L	2543LS	2545L	2545LS	2546	2548L	2548LS	2551L	2551LS	2627L
2627LS	2630L	2630LS	2632L	2632LS	2633L	2633LS	2635L	2635LS	2636L	2636LS	2640L	2640LS	2642L	2642LS	2643L
2643LS	2645L	2645LS	2646	2648L	2648LS	2651L	2651LS	3333L	3333LS	3336L	3336LS	3340L	3340LS	3342L	3342LS
3343L	3343LS	3345L	3345LS	3348L	3348LS	3351L	3351LS	4152LS	4160S						

ANTOS

1824L	1824LS	1827L	1827LS	1830L	1830LS	1832L	1832LS	1833L	1833LS	1835L	1835LS	1836L	1836LS	1840L	1840LS
1842L	1842LS	1843L	1843LS	1845L	1845LS	1848L	1848LS	1851L	1851LS	2024L	2024LS	2027L	2027LS	2030L	2030LS
2032L	2032LS	2033L	2033LS	2035L	2035LS	2036L	2036LS	2040L	2040LS	2042L	2042LS	2043L	2043LS	2045L	2045LS
2048L	2048LS	2051L	2051LS	2427LS	2430LS	2432LS	2433LS	2435LS	2436LS	2440LS	2442LS	2443LS	2445LS	2448LS	2451LS
2527L	2527LS	2530L	2530LS	2532L	2532LS	2533L	2533LS	2535L	2535LS	2536L	2536LS	2540L	2540LS	2542L	2542LS
2543L	2543LS	2545L	2545LS	2548L	2548LS	2551L	2551LS	2627L	2627LS	2630L	2630LS	2632L	2632LS	2633L	2633LS
2635L	2635LS	2636L	2636LS	2640L	2640LS	2642L	2642LS	2643L	2643LS	2645L	2645LS	2648L	2648LS	2651L	2651LS
3333L	3333LS	3336L	3336LS	3340L	3340LS	3342L	3342LS	3343L	3343LS	3345L	3345LS	3348L	3348LS	3351L	3351LS

WVA: 29244, 29245

AROCS

1824	1824K	1824LS	1827	1827K	1827LS	1830	1830K	1830S,	1830LS	1832	1832K	1832S,	1832LS	1833	1833K
1833LS	1835	1835K	1835S,	1835LS	1836	1836K	1836S,	1836LS	1840	1840K	1840LS	1842	1842K	1842LS	1843
1843K	1843LS	1845	1845K	1845LS	1848	1848K	1848LS	1851	1851K	1851LS	2024	2024K	2024S,	2024LS	2027
2027K	2027S,	2027LS	2030	2030K	2030S,	2030LS	2032	2032K	2032S,	2032LS	2033	2033K	2033S,	2033LS	2035
2035K	2035S,	2035LS	2036	2036K	2036S,	2036LS	2040	2040K	2040S,	2040LS	2042	2042K	2042S,	2042LS	2043
2043K	2043S,	2043LS	2045	2045K	2045S,	2045LS	2048	2048K	2048S,	2048LS	2051	2051K	2051S,	2051LS	2527L
2527LS	2530L	2530LS	2532L	2532LS	2533L	2533LS	2535L	2535LS	2536L	2536LS	2540L	2540LS	2542L	2542LS	2543L
2543LS	2545L	2545LS	2548L	2548LS	2551L	2551LS	2552L	2558L	2563L	2563LS	2627B,	2627LB	2627K,	2627LK	2627LS
2627S,	2627LS	2627,	2627L	2630B,	2630LB	2630K,	2630LK	2630L	2630LS	2630S,	2630S,	2630L	2630L	2632B,	2632LB
2632K,	2632LK	2632L	2632LS	2632S,	2632LS	2632,	2632L	2633B,	2633LB	2633K,	2633LK	2633L	2633LS	2633S,	2633LS
2633,	2633L	2635B,	2635LB	2635K,	2635LK	2635L	2635LS	2635S,	2635LS	2635,	2635L	2636B,	2636LB	2636K,	2636LK
2636L	2636LS	2636S,	2636,	2636L	2640B,	2640LB	2640K,	2640LK	2640L	2640LS	2640S,	2640S,	2640L	2640,	2640L
2642B,	2642LB	2642K,	2642LK	2642L	2642LS	2642S,	2642L	2642,	2642L	2643B,	2643LB	2643K,	2643LK	2643L	
2643LS	2643S,	2643LS	2643,	2643L	2645B,	2645LB	2645K,	2645LK	2645L	2645LS	2645S,	2645S,	2645L	2645L	2648B,
2648LB	2648K,	2648LK	2648L	2648LS	2648S,	2648LS	2648,	2648L	2651B,	2651LB	2651K,	2651K	2651L	2651LS	2651S,
2651LS	2651,	2651L	3227B,	3227LB	3227K,	3227LK	3227L	3227LK	3227L	3227L	3227L	3230B,	3230LB	3230K,	3230LK
3230L	3230LB	3230LK	3230,	3230L	3232B,	3232LB	3232K,	3232LK	3232L	3232LB	3232L	3232L	3232L	3233B,	3233LB
3233K,	3233LK	3233L	3233LB	3233K,	3233,	3233L	3235B,	3235LB	3235K,	3235LK	3235L	3235LB	3235K,	3235,	3235L
3236B,	3236LB	3236K,	3236LK	3236L	3236LB	3236K,	3236,	3236L	3240B,	3240LB	3240K,	3240LK	3240L	3240LB	3240LK
3240,	3240L	3242B,	3242LB	3242K,	3242LK	3242L	3242LB	3242K,	3242,	3242L	3243B,	3243B,	3243L	3243K,	3243LK
3243LB	3243LK	3243,	3243L	3245B,	3245LB	3245K,	3245LK	3245L	3245LB	3245L	3245,	3245L	3248B,	3248LB	3248K,
3248LK	3248L	3248LB	3248LK	3248,	3248L	3251B,	3251LB	3251K,	3251LK	3251L	3251LB	3251K,	3251L	3251L	3330B,
3333LB	3333K,	3333LK	3333L	3333S,	3333LS	3333,	3333L	3336B,	3336LB	3336K,	3336LB	3336S,	3336S,	3336L	3336LB
3340LB	3340K,	3340LK	3340S,	3340LS	3340,	3340L	3342B,	3342LB	3342K,	3342LK	3342S,	3342S,	3342L	3342L	3343B,
3343LB	3343K,	3343LK	3343S,	3343LS	3343,	3343L	3345,	3345L	3345B,	3345LB	3345K,	3345K,	3345L	3345S,	3345LS
3348LB	3348K,	3348LK	3348S,	3348LS	3348,	3348L	3351B,	3351LB	3351K,	3351LK	3351S,	3351S,	3351L	3351L	4133
4133B	4133K	4136	4136B	4136K	4140	4140B	4140K	4142	4142B	4142K	4143	4143B	4143K	4145	4145B
4145K	4148	4148B	4148K	4151	4151B	4151K									

ECONIC 2

1830 LL, 1835 LL, 2630 LL, 2635 LL

WVA: 29087, 29059, 29061, 29108, 29163, 29179, 29201, 29105, 29106, 29108, 29109, 29154, 29253, 29278

ACTROS

1831AK	1831K	1835K	1840K	1843K	1848K	1853,	1853L	2031AK	2031AS	2031K	2040AK	2040AS	2531LS	2531,	2531L
2535L	2535LS	2540LS	2543LS	2546LS	2548LS	2553LS	3231B	3231K	3235	3235B	3235K	3240	3240B	3240K	3243
3243B	3243K	3246B	3346	4140B	4140K	4143K	4146K	4148K							

ACTROS MP2/MP3

1831K	1832AK	1832K	1832,L,LL	1832,LS,LLS	1835K	1836A	1836AK	1836K	1836LS,LLS	1836,L,LL	1840K	1840LS,LLS			
1841K	1841LS,LLS	1841,L,LL	1843LS,LLS	1844AK	1844K	1844LS,LLS	1844L,LL	1846AK	1846K	1846LS,LLS	1846L,LL	1854L	1854,L	1854,L	1854,L
1848K	1848S,LS	1848,L,LL	1848,LS,LLS	1850AK,	1851AK	1850,1851K	1850,	1851LS,LLS	1850,	1851LS,LLS	1850,	1851,L,LL	1854LS	1854,L	1854,L
1855LS,LLS	1855,L,LL	1858LS	1858L	1860L,LL	1860LS	1861LS	2032K	2032S	2036K	2036S	2041K	2041S	2044K	2044S	2044S
2046K	2046S	2048AS	2048K	2048S	2050S	2051S	2054S	2055S	2432LS	2436LS	2441LS	2444LS	2446LS	2448LS	2451LS
2455LS	2460LS	2532LS	2532,L,LL	2536L,LL	2536LS	2536,L,LL	2540L,LL	2541LS	2541,L,LL	2543L,LL	2544LS	2544,L,LL	2546LS	2546,L,LL	2548L
2548LS	2548,L,LL	2550LS	2550,LS	2551LS	2551,L,LL	2553L	2554LS	2554L	2555LS	2555,L,LL	2558,L	2560,L,LL	2631B	2631K,LK	2631L
2631LS	2632B	2632K,LK	2632LS	2632,L,LL	2635B	2635K,LK	2635L	2635LS	2636B	2636K,LK	2636LS	2636,L,LL	2640B	2640K,LK	2640L
2640LS	2641B	2641K,LK	2641LS	2641,LS,LL	2641,L,LL	2643B	2643K,LK	2643L	2644B	2644K,LK	2644S,LS	2644,L,LL	2646B	2646K,LK	2646L
2646LS	2646S,LS	2646,L,LL	2648B	2648K,LK	2648L	2648LS	2648,L,LL	2650K,	2651K,LK	2650S,LS	2650,L,	2651,L,LL	2651L	2651LS	2651LS
2651S,LS	2653K,LK	2653L	2653LS	2654K,LK,	2655K,LK	2654S,LS	2654,L,	2655,L,LL	2655LS	2655S,LS	2658K,LK	2658L	2658LS	2660L,LL	2660LK
2660S,LS	2665LS	3231B	3231K,	3232K	3232B	3235B	3235K	3236B	3236K	3236L	3240	3240B	3240K	3241	3241B
3241K	3241L	3243	3243B	3243K	3244	3244B	3244K	3246	3246B	3246K	3248B	3248K	3248L	3250	3255L
3260L	3331B	3331K	3331S,	3332S	3332AKE	3332B	3332K	3335B	3335K	3336AKE	3336B	3336K	3336S	3339A	3339AK
3339B	3339K	3341AKE	3341B	3341K	3341S	3343B	3343K	3344AKE	3344B	3344K	3344S	3346AKE	3346B	3346K	3346S
3348A	3348AKE	3348AS	3348B	3348K	3348S	3350S	3351K	3351S	3355S	3358K	3365A	3550S	4036K	4140B	4140K
4141B	4141K	4143B	4144B	4144K	4146B	4146K	4148AK	4148B	4148K	4150K	4151K	4154S	4155K	4160K	4160S
4165AK	4165S	4841K	5041B	5041K	5044B	5044K	5046B	5046K							

ACTROS MP

41824L	1824LS	1827L	1827LS	1830L	1830LS	1832L	1832LS	1833L	1833LS	1835L	1835LS	1836L	1836LS	1840L	1840LS
1842L	1842LS	1843L	1843LS	1845L	1845LS	1848L	1848LS	1851L	1851LS	1852L	1852LS	1858L	1858LS	1863L	1863LS
2024L	2024LS	2027L	2027LS	2030L	2030LS	2032L	2032LS	2033L	2033LS	2035L	2035LS	2036L	2036LS	2040L	2040LS
2042L	2042LS	2043L	2043LS	2045L	2045LS	2048L	2048LS	2051L	2051LS	2427L	2430LS	2432LS	2433LS	2435LS	2436LS
2440LS	2442LS	2445LS	2448LS	2451LS	2527L	2527LS	2530L	2530LS	2532L	2532LS	2533L	2533LS	2535L	2535LS	2536L
2536LS	2540L	2540LS	2542L	2542LS	2543L	2543LS	2545L	2545LS	2548L	2548LS	2551L	2551LS	2627L	2627LS	2630L
2630LS	2632L	2632LS	2633L	2633LS	2635L	2635LS	2636L	2636LS	2640L	2640LS	2642L	2642LS	2643L	2643LS	2645L
2645LS	2648L	2648LS	2651L	2651LS	3333L	3333LS	3336L	3336LS	3340L	3340LS	3342L	3342LS	3343L	3343LS	3345L
3345LS	3348L	3348LS	3351L	3351LS											

WVA: 29087, 29059, 29061, 29108, 29163, 29179, 29201, 29105, 29106, 29108, 29109, 29154, 29253, 29278

ANTOS

1824L	1824LS	1827L	1827LS	1830L	1830LS	1832L	1832LS	1833L	1833LS	1835L	1835LS	1836L	1836LS	1840L	1840LS
1842L	1842LS	1843L	1843LS	1845L	1845LS	1848L	1848LS	1851L	1851LS	2024L	2024LS	2027L	2027LS	2030L	2030LS
2032L	2032LS	2033L	2033LS	2035L	2035LS	2036L	2036LS	2040L	2040LS	2042L	2042LS	2043L	2043LS	2045L	2045LS
2048L	2048LS	2051L	2051LS	2427LS	2430LS	2432LS	2433LS	2435LS	2436LS	2440LS	2442LS	2443LS	2445LS	2448LS	2451LS
2527L	2527LS	2530L	2530LS	2532L	2532LS	2533L	2533LS	2535L	2535LS	2536L	2536LS	2540L	2540LS	2542L	2542LS
2543L	2543LS	2545L	2545LS	2548L	2548LS	2551L	2551LS	2627L	2627LS	2630L	2630LS	2632L	2632LS	2633L	2633LS
2635L	2635LS	2636L	2636LS	2640L	2640LS	2642L	2642LS	2643L	2643LS	2645L	2645LS	2648L	2648LS	2651L	2651LS
3333L	3333LS	3336L	3336LS	3340L	3340LS	3342L	3342LS	3343L	3343LS	3345L	3345LS	3348L	3348LS	3351L	3351LS

AROCS

1824LS	1827LS	1830S,	1830LS	1832S,	1832LS	1833LS	1835S,	1835LS	1836S,	1836LS	1840LS	1842LS	1843LS	1845LS	1848LS
1851LS	2024S,	2424LS	2027S,	2027LS	2030S,	2030LS	2032S,	2032LS	2033S,	2033LS	2035S,	2035LS	2036S,	2036LS	2040S,
2040LS	2042S,	2042LS	2043S,	2043LS	2045S,	2045LS	2048S,	2048LS	2051S,	2051LS	2527L	2527LS	2530L	2530LS	2532L
2532LS	2533L	2533LS	2535L	2535LS	2536L	2536LS	2540L	2540LS	2542L	2542LS	2543L	2543LS	2545L	2545LS	2548L
2548LS	2551L	2551LS	2552L	2558L	2563L	2627L	2627LS	2627,	2627L	2630L	2630,	2630L	2632L	2632,	2632L
2633L	2633S,	2633LS	2633,	2633L	2635L	2635,	2635L	2636L	2636S,	2636LS	2636,	2636L	2640L	2640S,	2640LS
2640,	2640L	2642L	2642S,	2642LS	2642,	2642L	2643L	2643S,	2643LS	2643,	2643L	2645L	2645S,	2645LS	2645,
2645L	2648L	2648S,	2648LS	2648,	2648L	2651L	2651S,	2651LS	2651,	2651L	3227L	3227,	3227L	3230L	3230,
3230L	3232L	3232,	3232L	3233L	3233,	3233L	3235L	3235,	3235L	3236L	3236,	3236L	3240L	3240,	3240L
3242L	3242,	3242L	3243L	3243,	3243L	3245L	3245,	3245L	3248L	3248,	3248L	3251L	3251,	3251L	3333S,
3333LS	3333,	3333L	3336S,	3336LS	3336,	3336L	3340S,	3340LS	3340,	3340L	3342S,	3342LS	3342,	3342L	3343S,
3343LS	3343,	3343L	3345,	3345L	3345S,	3345LS	3348S,	3348LS	3348,	3348L	3351S,	3351LS	3351,	3351L	1823AK
1823K	1823LS	1823,	1823L	1828A	1828AK	1828K	1828LS	1828,	1828L	2523L	2528L	2628K			

AXOR

1823	1823K	1835LS	1840LS	1843LS	2523	2523K	2528	2623L	2628B	2628K	2628L	3228C	21823AK,	1824AK	1823K,
1823KL,	1824K	1823LS,	1824LS	1823,	1823L,	1824,	1824LL,	1824A	1826AK	1826K	1826LS	1826,	1826LL,	1828A,	1829A
1828AK,	1829AK	1828K,	1828KL,	1829K	1828LS	1828,	1828L,	1829,	1829LL,	1829LS	1833A	1833AK	1833K	1833LS	1833,
1833L,LL	1835LS	1836LS,LLS	1840LS,LLS	1843LS,LLS	1843LS,LLS	1933	1933S	2035S,	2036S,LS	2040S,	2041S,	2041S,	2041S,	2041S,	2041LS
2044S	2436LS,	2536LS	2440LS,	2540LS	2443LS,	2543LS	2523	2528K,	2528KL	2528L,	2529L	2533,	2533L	2535L,	2536L,
2536LL	2535S,	2535LS	2540L,LL	2540S,	2541S,LS	2543L,LL	2543S,	2543LS	2628B,	2629B	2628K,	2629K	2633B	2633K	2635B
2636	2636B	2636K	2640	2640B	2640K	2640S,	2641S,LS	2643	2643B	2643K	2644S,LS	2828K	2831	3028B	3028K
3228	3235	3236B	3236K	3240	3240B	3240K	3243	3243B	3243K	3335	3335B	3335K	3335S	3340B	3340K,
3341K	3340S,	3341S	3340,	3341	3343	3343B	3343K	3343S	3344K	3535K	4135B	4135K	4140	4140B	4140K
4143B	4143K	4144													

CITARO(O530)

CitaroBZ CitaroG CitaroGNG CitaroN CitaroN,CitaroMUE CitaroNG CitaroMUE

CITO(O520)

130kW

CONECTO(O345)

CONECTOC,H,M,UE CONECTOC,H,UE

ECONIC

1823L,	1823LL	1824L,	1824LL	1828L	1828L,	1828LL	1828LLS	1828LS	1829L,	1829LL	1829LS	1833L,	1833LL	1833LS	2624L
2628L	2628LL	2629L,	2629LL	2633L,	2633LL	2633LL	3233L,	3233LL							

INTEGRO(O550)

IntegroL Integro, IntegroM

INTOURO

Intouro, Intouro E, Intouro M, Intouro ME

MK

1827,	1827L	2433,	2433L,	2434L	2524,	2524L	2527	2527L	2531,	2531L	2534,	2534L
-------	-------	-------	--------	-------	-------	-------	------	-------	-------	-------	-------	-------

NG

1922	2228,	2228L	2233,	2233L	2235,	2235L	2236	2238,	2238L	2244,	2244L	2433	2438	2628	2633
2635	2636	2638	2644	3028	3033	3036	3038	3235	3335	3544	O100				

Applications For Vehicle

Mercedes-Benz

WVA: 29087, 29059, 29061, 29108, 29163, 29179, 29201, 29105, 29106, 29108, 29109, 29154, 29253, 29278

CITY

O403 O403SHD

OF Series

1113 1117 1313, 1314 1317 1413 1417 1617 1621 1316 1518 1518, 1519 1521 1525 1526
 1622, 1622L 1625, 1625L 1627L 1628, 1628L

SK

1929A 2435 2435, 2435L 2538, 2538L 2544, 2544L 2638K 2638, 2638L 2644,2 644L 2648S 2650S 2650,
 2650L 2653, 2653L 3538AK 3538K 3550 3553, 3553L

TOURISMO (O350)

Tourismo 15RHD Tourismo 15SHD Tourismo 16RHD Tourismo 17RHD Tourismo RHD,SHD

TOURO (O500)

O500GL,GLE O500M O500R O500RSD 500U

TRAVEGO (O580)

O580-15RH/RHD O580-15RHD O580-16RHD O580-16RHD, O580-17RHD 580-17RHD

WVA: 29253, 29278

ACCEL

O710 715 C 915, 915 C

ACTROS

1831 AK 1831 K 1831 S, 1831 LS 1831, 1831 L 1835 K 1835 S, 1835 LS 1835, 1835 L 1840 AK 1840 K 1840 S, 1840 LS 1840,
 1840 L 1843 AK 1843 K 1843 S, 1843 LS 1843, 1843 L 1846 S, 1846 LS 1848 AK 1848 K 1848 S, 1848 LS 1848, 1848 L 1853 S,
 1853 LS 1853, 1853 L 1857 L 1857 LS 2031 2031 A 2031 AK 2031 AS 2031 K 2031 S 2035 A 2035 S 2040 2040 AK 2040 AS
 2040 S 2043 AS 2048 AS 2053 S 2531 LS 2531, 2531 L 2535 L 2535 LS 2540 LS 2540, 2540 L 2543 LS 2543, 2543 L 2546 L
 2548 LS 2548, 2548 L 2553 LS 2553, 2553 L 2557 L 2631 B 2631 K 2631, 2631 L 2635 B 2635 K, 2635 LK 2635, 2635 L
 2640 B 2640 K, 2640 LK 2640 S, 2640 LS 2640, 2640 L 2643 B 2643 K 2643 LK 2643 S 2643 LS 2643 2643 L 2646 B 2646 S
 2646 LS 2648 K 2648 LK 2648 S 2648 LS 2648 2648 L 2650 S 2650 LS 2653 K 2653 LK 2653 S 2653 LS 2653 2653 L 2657 K
 2657 LK 2657 L 2657 S 2657 LS 2665 LS 3231 B 3231 K 3235 3235 B 3235 K 3240 3240 K 3243 3243 B 3243 K
 3246 B 3246 K 3331 3331 A 3331 AK 3331 AS 3331 B 3331 K 3331 S 3335 3335 AK 3335 B 3335 K 3335 S 3336 S 3340
 3340 A 3340 AK 3340 AS 3340 B 3340 K 3340 S 3341 S 3343 3343 AK 3343 AS 3343 B 3343 K 3343 S 3346 3346 K 3346 S
 3348 3348 AK 3348 AS 3348 K 3348 S 3350 AS 3350 K 3350 S 3353 3353 AS 3353 S 3357 3357 S 4140 AK 4140 B 4140 K

ACTROS MP2 / MP3

1831 AK 1831 K 1832 AK 1832 K 1832, L, LL 1832, LS, LLS 1835 AK 1835 K 1836 AK 1836 K 1836 LS, LLS 1836, L, LL
 1840 AK 1840 K 1840 LS, LLS 1841 AK 1841 K 1841 LS, LLS 1841, L, LL 1843 LS, LLS 1844 AK 1844 K 1844 L
 1844 LS, LLS 1844, L, LL 1846 AK 1846 K 1846 LS, LLS 1846, L, LL 1848 AK 1848 K 1848 S, LS 1848, L, LL
 1848, LS, LLS 1850 AK, 1851 AK 1850, 1851 K 1850, 1851 LS, LLS 1850, 1851, L, LL 1854 LS 1854, L 1855 LS, LLS
 1855, L, LL 1858 LS 1858, L 1860 L, LL 1860 LS 1861 LS 2032 2032 A, AE 2032 AK 2032 AS 2032 K 2032 S 2036
 2036 A, AE 2036 AK 2036 AS 2036 K 2036 S 2040 2041 2041 AK 2041 AS 2041 K 2041 S 2044 2044 AK 2044 AS 2044 K
 2044 S 2046 2046 AK 2046 AS 2046 K 2046 S 2048 2048 AK 2048 AS 2048 K 2048 S 2050 S 2051 AS 2051 S 2054 S 2055 S
 2432 LS 2436 LS 2441 LS 2444 LS 2446 LS 2448 LS 2451 LS 2455 LS 2460 LS 2532 LS 2532, L, LL 2536 L, LL 2536 LS 2536, L, LL
 2540 L, LL 2541 LS 2541, L, LL 2543 L, LL 2544 LS 2544, L, LL 2546 LS 2546, L, LL 2548 L 2548 LS 2548, L, LL
 2550 LS 2550, LS 2551 LS 2551, L, LL 2553 L 2554 LS 2554, L 2555 LS 2555, L, LL 2558, L 2560, L, LL 2631 B 2631 K, LK
 2631 S 2631 LS 2632 B 2632 K, LK 2632 LS 2632, L, LL 2635 B 2635 K, LK 2635 L 2635 LS 2636 B 2636 K, LK
 2636 LS 2636, L, LL 2640 B 2640 K, LK 2640 L 2640 LS 2641 B 2641 K, LK 2641 LS 2641 S, LS 2641, L, LL
 2643 B 2643 K, LK 2643 L 2643 LS 2644 B 2644 K, LK 2644 S, LS 2644, L, LL 2646 B 2646 K, LK 2646 LS
 2646 S, LS 2646, L, LL 2648 B 2648 K, LK 2648 L 2648 LS 2648 S, LS 2648, L, LL 2650 K, 2651 K, LK
 2650 S, LS 2650, L 2651, L, LL 2651 L 2651 LS 2651 S, LS 2653 L 2653 LS 2654 K, LK, 2655 K, LK 2655 K, LK
 2654 S, LS 2654, L 2655, L, LL 2655 LS 2655 S, LS 2658 K, LK 2658 L 2658 LS 2660 L, LL 2660 LK 2660 S, LS
 2665 LS 3231 B 3231 K, 3232 K 3232 B 3235 B 3235 K 3236 B 3236 K 3236 L 3240 3240 B 3240 K 3241 3241 B 3241 K
 3241 L 3243 3243 B 3243 K 3244 3244 B 3244 K 3246 3246 B 3246 K 3248 B 3248 K 3248, L 3250 3255 L 3260 L
 3331 A, 3332 A 3331 AK, 3332 AK 3331 B 3331 K 3331 S, 3332 S 3331, 3332 3332 AK 3332 AS 3332 B 3332 K 3335 A 3335 B
 3335 K 3336 3336 A 3336 AK 3336 AS 3336 B 3336 K 3336 S 3339 B 3339 K 3341 3341 A 3341 AK 3341 AS 3341 B 3341 K
 3341 S 3343 AK 3343 B 3343 K 3344 3344 A 3344 AK 3344 AS 3344 B 3344 K 3344 S 3346 3346 A 3346 AK 3346 AS 3346 B
 3346 K 3346 S 3348 3348 AK 3348 AS 3348 B 3348 K 3348 S 3350 S 3350, 3351 3351 A 3351 AK 3351 AS 3351 K 3351 S
 3354, 3355 3355 A 3355 AK 3355 AS 3355 S 3358 3358 K 3360 3360 A 3360 AK 3365 A 3350 S 4036 K 4140 AK 4140 B
 4140 K 4141 4141 AK 4141 B 4141 K 4143 AK 4143 B 4143 K 4144 AK 4144 B 4146 AK 4146 B 4146 K 4148 AK 4148 B
 4148 K 4150 AK 4150 K 4151 AK 4151 K 4154 S 4155 K 4160 K 4160 S 4165 S 4841 K 4844 K 5041 B 5041 K 5044 B 5044 K
 5046 B 5046 K

WVA: 29253, 29278

ANTOS

1824 L	1824 LS	1827 L	1827 LS	1830 L	1830 LS	1832 L	1832 LS	1833 L	1833 LS	1835 L	1835 LS	1836 L	1836 LS	1840 L	1840 LS
1842 L	1842 LS	1843 L	1843 LS	1845 L	1845 LS	1848 L	1848 LS	1851 L	1851 LS	2024 L	2024 LS	2027 L	2027 LS	2030 L	2030 LS
2032 L	2032 LS	2033 L	2033 LS	2035 L	2035 LS	2036 L	2036 LS	2040 L	2040 LS	2042 L	2042 LS	2043 L	2043 LS	2045 L	2045 LS
2048 L	2427 LS	2430 LS	2432 LS	2433 LS	2435 LS	2436 LS	2440 LS	2442 LS	2443 LS	2445 LS	2448 LS	2451 LS	2527 L	2527 LS	2530 L
2530 LS	2532 L	2532 LS	2533 L	2533 LS	2535 L	2535 LS	2536 L	2536 LS	2540 L	2540 LS	2542 L	2542 LS	2543 L	2543 LS	2545 L
2545 LS	2548 L	2548 LS	2551 L	2551 LS	2627 L	2627 LS	2630 L	2630 LS	2632 L	2632 LS	2633 L	2633 LS	2635 L	2635 LS	2636 L
2636 LS	2640 L	2640 LS	2642 L	2642 LS	2643 L	2643 LS	2645 L	2645 LS	2648 L	2648 LS	2651 L	2651 LS	3333 L	3333 LS	3336 L
3336 LS	3340 L	3340 LS	3342 L	3342 LS	3343 L	3343 LS	3345 L	3345 LS	3348 L						

ATEGO

1823 K	1823 LS	1823,	1823 L	1828 K	1828 LS	1828,	1828 L	2523 L	2528 L	2628	2628 B	2628 K	2226 L	924 K
924,	924 L													

AXOR

1823	1823 K	1835 LS	1840 LS	1843 LS	1944 LS	2523	2523 K	2528	2535 LS	2540 LS	2543 LS	2623 L	2628 B	2628 K	2628 L
3228 C															

AXOR

1823 AK,	1824 AK	1823 K,	1823 KL,	1824 K	1823 LS,	1824 LS	1823,	1823 L,	1824,	1824 L, LL	1824 A	1826 AK	1826 K	1826 LS	1826,
1826 L, LL	1828 A,	1829 A	1828 AK,	1829 AK	1828 K,	1828 KL,	1829 K	1828 LS	1828,	1828 L,	1829,	1829 L, LL	1829 LS	1833 A	1833 AK
1833 K	1833 LS	1833,	1833 L, LL	1835 LS	1836 LS, LLS	1840 LS, LLS	1843 LS, LLS	1933	1933 S	2035 S,	2036 S, LS	2528 K,	2528 KL	2528 L,	2529 L
2040 S,	2041 S,	2041 S,	2041 LS	2044 S	2436 LS,	2536 LS	2440 LS,	2540 LS	2443 LS,	2543 LS	2523	2528 K,	2528 KL	2528 L,	2529 L
2533,	2533 L	2535 L,	2536 L,	2536 LL	2535 S,	2535 LS	2540 L, LL	2540 S,	2541 S,	LS	2543 L, LL	2543 S,	2543 LS	2543 S,	2543 LS
2544 S,	2544 LS	2628 B,	2629 B	2628 K,	2629 K	2628,	2629	2633	2633 B	2633 K	2635 B	2636	2636 B	2636 K	2640
2640 B	2640 K	2640 S,	2641 S, LS	2643	2643	2643 B	2643 K	2644 S, LS	2828 K	2831	2831 B	3028 B	3028 K	3028 K	3131
3228	3235	3236 B	3236 K	3240	3240 B	3240 K	3243	3243 B	3243 K	3335	3335 B	3335 K	3335 S	3340 B	3340 K,
3341 K	3340 S,	3341 S	3340,	3341	3343	3343 B	3343 K	3343 S	3344	3344 K	3535 K	4135 B	4135 K	4140	4140 B
4140 K	4143 B	4143 K	4144												

CAPACITY (O 530 GL)

Capacity

CITARO (O 530)

Citaro BZ	Citaro G	Citaro G	Citaro GN3	Citaro LÜ	Citaro G	Citaro LÜ	Citaro GNG	Citaro N	Citaro N	Citaro MUE	Citaro NG	Citaro Ü	Citaro, Citaro MUE
-----------	----------	----------	------------	-----------	----------	-----------	------------	----------	----------	------------	-----------	----------	--------------------

CITO (O 520)

130 Kw

CONECTO (O 345)

CONECTO 12M	CONECTO 18M
-------------	-------------

ECONIC

1823 L	1823 LL	1824 L	1824 LL	1828 L	1828 L	1828 LL	1828 LLS	1828 LS	1829 L	1829 LL	1829 LS	1833 L	1833 LL	1833 LS	2624 L
2628 L	2628 LL	2629 L	2629 LL	2633 L	2633 L	2633 LL	2633 LL	3233 L	3233 LL						

INTEGRO (O 550)

Integro L	Integro	Integro M	Integro	Integro M
-----------	---------	-----------	---------	-----------

INTOURO

Intouro	Intouro E	Intouro M	Intouro ME
---------	-----------	-----------	------------

MK

1827	1827 L	O 340	O 340
------	--------	-------	-------

Tourismo

O 403	O 403 RHD	O 403 SHD	O 4040 404
-------	-----------	-----------	------------

WVA: 29253, 29278

OF Series

1113 1117 1313 1314 1317 1413 1417 1617 1621 1316 1518 1519

T2/L

LA 911

TOURINO (O 510)

TOURINO

TOURISMO (O 350)

Tourismo 15 RHD Turismo 15 SHD Turismo 16 RHD Turismo 17 RHD Turismo RHD, SHD

TOURO (O 500)

O 500 GL, GLE O 500 M O 500 R O 500 RSD O 500 U

TRAVEGO (O 580)

CO 580-15 RH O 580-15 RH/RHD O 580-15 RHD O 580-15 SHD O 580-16 RHD O 580-16 RHD O 580-17 RHD O 580-17 RHD

UNIMOG

WVA: 29094, 29093, 29095, 29197

ATEGO

1017K 1017KO, 1018KO 1017 1017L 1023K 1214K 1214 1214L 1215K 1215 1215L 1217K 1217KO 1217 1217L
 1223K 1223 1223L 1225AF 1225F 1228 1228L 1317A 1317AK 1317K 1317KO 1317LKO 1318KO 1318LKO 1317 1317L
 1323K 1323KO 1323LKO 1323LS 1323 1323L 1325F 1328AF 1328F 1328LS 1328 1328L 1517A 1517AK 1517K 1517
 1517L 1523A 1523AK 1523K 1523KO 1523 1523L 1525AF 1528AF 1528F 1528K 1528 1528L 1923L 1928L 2223L
 2228L 917K 917 917L 923K 923, 923L

ATEGO 2

1015K 1015K 1016K 1015 1015L 1016 1016L 1017AK 1017K 1018K 1018A 1018AK 1018 1018L 1022A 1022AK
 1022K 1022KO 1022 1022L 1023A 1024A 1023 1023L 1024 1024L 1024AK 1024K 1024 1024L 1026 1026L
 1029 1029L 1215 1215L 1216 1216L 1216K 1216 1216L 1218K 1218 1218L 1222AF 1222F 1222K 1222
 1222L 1223 1223L 1224 1224L 1224K 1224 1224L 1226AF 1226F 1226 1226L 1228 1228L 1229 1229L
 1229 1229L 1315 1318A 1318AK 1318K 1318 1318L 1322A 1322AF 1322AK 1322F 1322K 1322LKO 1322LS 1322
 1322L 1323A 1324A 1323LS 1324LS 1323 1323L 1324 1324L 1324AK 1324K 1324LKO 1324 1324L 1326AF 1326F
 1326LS 1326 1326L 1328LS 1329LS 1328 1328L 1329 1329L 1329AF 1329F 1329 1329L 1518A 1518AK 1518K
 1518 1518L 1522A 1522AF 1522AK 1522F 1522K 1522 1522L 1523A 1524A 1523K 1524K 1523 1523L 1524
 1524L 1524AK 1524 1524L 1526AF 1526AK 1526K 1526 1526L 1528 1528L 1529 1529L 1529AF 1529AK 1529F
 1529K 1529 1529L 1618 1618K 1622 1622K 1624 1624K 1629 1718 1718K 1719 1722 1725 1725A
 1725K 1725S 1728S 1924L 1926L 1929L 2224L 2226L 2229L 2422 2425 2428 2529L 915K 915, 915L, 924
 916, 916L 916K 916, 916L 918AF 918K 918 918L 922AF 922K 922 922L 923 923L 924

ATEGO 3

1216K 1218K 1218, 1218L 1221K 1221, 1221L 1223AF 1223F 1223K 1223 1223L 1224K 1224 1224L 1227AF
 1227F 1227K 1227 1227L 1230AF 1230F 1230K 1230 1230L 1318K 1318LKO 1318 1318L 1321K 1321LKO 1321LS
 1321 1321L 1323F 1323K 1323LKO 1323LS 1323 1323L 1324K 1324LKO 1324LS 1324 1324L 1327F 1327K 1327LS
 1327 1327L 1330F 1330K 1330LS 1330 1330L 1518K 1518 1518L 1521K 1521 1521L 1523K 1523 1523L
 1524K 1524 1524L 1527F 1527K 1527 1527L 1530F 1530K 1530 1530L

TOURINO (0510)

TOURINO

WVA: 29148

ACCELO

1016 710 715C 815 914C 915 915C

ANTOS

2427LS 2430LS 2432LS 2433LS 435LS 2436LS 2440LS 2442LS 2443LS 2445LS 2448LS 2451LS

ATEGO

1014K 1014 1014L 1017K 1017KO 1018KO 1017 1017L 1023K 1023 1023L 1214 1214L 1217 1217L 1223
 1223L 712 714K 714 714L 715 715L 717K 717 717L 812 814K 814 814L 815F 815K
 815 815L 815 815L 817K 817 817L 823K 823 823L 914K 914 914L 917K 917KO 917
 917L 923K 923 923L

ATEGO 2

1015K 1015K 1016K 1015 1015L 1016 1016L 1017K 1018K 1018 1018L 1022K 1022KO 1022 1022L 1023
 1023L 1024 1024L 1024K 1024 1024L 1026 1026L 1029 1029L 1215 1215L 1216 1216L 1216 1216L
 1218 1218L 1222 1222L 1223 1223L 1224 1224L 1224 1224L 1226 1226L 1229 1229L 712 713
 715 715L 716 716L 812K 812 813 815F 815K 816K 815 815L 816 816L 816 816L
 818K 818 818L 822F 822K 822 822L 823 823L 824 824L 824K 824 824L 826 826L
 829 829L 915K 915 915L 916 916L 916K 916 916L 918K 918 918L 922K 922 922L
 923 923L 924 924L 924K 924 924L 926 926L 929 929L

ATEGO 3

1016K 1016 1016L 1018K 1018KO 1018 1018L 1021K 1021KO 1021 1021L 1023K 1023KO 1023 1023L 1024K
 1024 1024L 1216 1216L 1218 1218L 1221 1221L 1223 1223L 1224 1224L 1227 1227L 1230 1230L
 716K 716 716L 718K 718 718L 721K 721 721L 723K 723 723L 816K 816 816L 818K
 818 818L 821K 821 821L 823K 823 823L 824K 824 824L 916K 916 916L 918F 918K
 918 918L 921K 921 921L 923F 923K 923 923L 924K 924 924L 927F

Applications For Vehicle

DAF

WVA: 29087, 29059, 29061, 29108, 29163, 29179, 29201, 29105, 29106, 29108, 29109, 29154, 29253, 29278

95 XF

FA95XF380	FA95XF430	FA95XF480	FA95XF530	FAC95XF380	FAC95XF430	FAC95XF480	FAC95XF530
FAD95XF380	FAD95XF430	FAD95XF480	FAD95XF530	FAR95XF380	FAR95XF430	FAR95XF480	FAR95XF530
FAS95XF380	FAS95XF430	FAS95XF480	FAS95XF530	FAT95XF380	FAT95XF430	FAT95XF480	FAT95XF530
FT95XF380	FT95XF430	FT95XF480	FT95XF530	FTG95XF380	FTG95XF430	FTG95XF480	FTG95XF530
FTP95XF430	FTR95XF380	FTR95XF430	FTR95XF480	FTR95XF530	FTR95XF530	FTR95XF530	FTR95XF530
FTS95XF530	FTT95XF380	FTT95XF430	FTT95XF480	FTT95XF530	FTT95XF530	FTT95XF530	FTT95XF530

CF

FA220	FA250	FA280	FA290	FA310	FA330	FA370	FA400	FA410	FA440	FA460	FA510	FAC400	FAC410	FAC440	FAC460
FAC510	FAD400	FAD410	FAD440	FAD460	FAD510	FAN290	FAG290	FAN330	FAG330	FAN370	FAG370	FAN400	FAG400	FAN410	FAG410
FAN440	FAG440	FAN460	FAG460	FAN510	FAG510	FAN510	FAG510	FAQ400	FAX400	FAQ410	FAX410	FAQ440	FAX440	FAQ460	FAX460
FAR290	FAS290	FAR330	FAS330	FAR370	FAS370	FAR400	FAS400	FAR410	FAS410	FAR440	FAS440	FAR460	FAS460	FAR510	FAS510
FAT290	FAT330	FAT370	FAT400	FAT410	FAT440	FAT460	FAT510	FT290	FT330	FT400	FT410	FT440	FT460	FT510	FT510
FTG400	FTG410	FTG440	FTG460	FTG510	FTP400	FTP410	FTP440	FTP460	FTP510	FTR410	FTR460	FTR510	FTS410	FTS460	FTS510
FTT400	FTT410	FTT440	FTT460	FTT510											

CF 65

FA65.180	FA65.220	FA65.250	FA65.280	FA65.300
----------	----------	----------	----------	----------

CF 75

FA75.250	FA75.310	FA75.360	FAD75.250	FAD75.310	FAD75.360	FAG75.250	FAN75.250
FAG75.310	FAN75.310	FAG75.360	FAN75.360	FAR75.250	FAS75.250	FAR75.310	FAS75.310
FAR75.360	FAS75.360	FAT75.250	FAT75.310	FAT75.360	FT75.250	FT75.310	FT75.360

CF 85

FA85.340	FA85.360	FA85.380	FA85.410	FA85.430	FA85.460	FA85.480	FA85.510
FAC85.340	FAC85.360	FAC85.380	FAC85.410	FAC85.430	FAC85.460	FAC85.480	FAC85.510
FAD85.340	FAD85.360	FAD85.380	FAD85.410	FAD85.430	FAD85.460	FAD85.480	FAD85.510
FAG85.340	FAN85.340	FAG85.360	FAN85.360	FAG85.380	FAN85.380	FAG85.410	FAN85.410
FAG85.430	FAN85.430	FAG85.460	FAN85.460	FAG85.480	FAN85.480	FAG85.510	FAN85.510
FAN85.360	FAN85.410	FAN85.460	FAN85.510	FAQ85.360	FAQ85.410	FAQ85.460	FAQ85.510
FAR85.340	FAS85.340	FAR85.360	FAS85.360	FAR85.380	FAS85.380	FAR85.410	FAS85.410
FAR85.410	FAS85.410	FAR85.430	FAS85.430	FAR85.460	FAS85.460	FAR85.480	FAS85.480
FAS85.480	FAR85.510	FAS85.510	FAR85.510	FAT85.340	FAT85.360	FAT85.380	FAT85.410
FAT85.430	FAT85.460	FAT85.480	FAT85.510	FAT85.340	FAT85.360	FAT85.380	FAT85.410
FAX85.430	FAX85.460	FAX85.480	FAX85.510	FT85.340	FT85.360	FT85.380	FT85.410
FT85.430	FT85.460	FT85.480	FT85.510	FTG85.340	FTG85.360	FTG85.380	FTG85.410
FTG85.430	FTG85.460	FTG85.480	FTG85.510	FTP85.340	FTP85.380	FTP85.430	FTP85.480
FTR85.360	FTS85.360	FTP85.360	FTR85.410	FTS85.410	FTP85.410	FTR85.460	FTS85.460
FTP85.460	FTR85.510	FTS85.510	FTP85.510	FTS85.340	FTR85.380	FTS85.430	FTS85.480
FTT85.340	FTT85.360	FTT85.380	FTT85.410	FTT85.430	FTT85.460	FTT85.480	FTT85.510

LF

FA150	FA180	FA210	FA220	FA250	FA280	FA310
-------	-------	-------	-------	-------	-------	-------

LF 55

FA55.160	FA55.170	FA55.180	FA55.210	FA55.220	FA55.250	FA55.280	A55.290	FA55.300
----------	----------	----------	----------	----------	----------	----------	---------	----------

XF

FA410	FA440	FA460	FA510	FAD460	FAD510	FAN410	FAN440	FAN460	FAN510	FAR410	FAR410	FAS410	FAR440	FAR440	FAS440
FAR460	FAR460	FAS460	FAR510	FAR510	FAS510	FT410	FT440	FT460	FT510	FTG410	FTN410	FTG440	FTN440	FTG460	FTN460
FTG510	FTN510	FTM460	FTM510	FTP410	FTP410	FTR410	FTS410	FTP440	FTP440	FTR440	FTS440	FTP460	FTP460	FTR460	FTS460
FTP510	FTP510	FTR510	FTS510	FTT460	FTT510										

XF 105

FA105.410	FA105.460	FA105.510	FAD105.410	FAD105.460	FAD105.510	FAK105.410	FAK105.460
FAK105.510	FAN105.410	FAN105.460	FAN105.510	FAR105.410	FAR105.460	FAR105.510	FAS105.410
FAR105.410	FAS105.460	FAR105.460	FAS105.510	FAT105.410	FAT105.460	FAT105.510	FAT105.510
FT105.410	FT105.460	FT105.510	FTG105.410	FTG105.460	FTG105.510	FTM105.410	FTM105.460
FTM105.510	FTS105.410	FTR105.410	FTS105.460	FTR105.460	FTS105.510	FTR105.510	FTT105.410
FTT105.460	FTT105.510						

XF 105

FA95.380	FA95.430	FA95.480	FA95.530	FAD95.380	FAD95.430	FAD95.480	FAD95.530
FAK95.380	FAK95.430	FAK95.480	FAK95.530	FAN95.380	FAN95.430	FAN95.480	FAN95.530
FAR95.380	FAR95.430	FAR95.480	FAR95.530	FAS95.380	FAS95.430	FAS95.480	FAS95.530
FAT95.380	FAT95.430	FAT95.480	FAT95.530	FT95.380	FT95.430	FT95.480	FT95.530
FTG95.380	FTG95.430	FTG95.480	FTG95.530	FTM95.380	FTM95.430	FTM95.480	FTM95.530
FTP95.380	FTP95.430	FTP95.480	FTP95.530	FTR95.380	FTR95.430	FTR95.480	FTR95.530
FTS95.380	FTS95.430	FTS95.480	FTS95.530	FTT95.380	FTT95.430	FTT95.480	FTT95.530

WVA: 29142

LF 55

FA55.160 FA55.170 FA55.180 FA55.210 FA55.220 FA55.250 FA55.280 FA55.290 FA55.300

WVA: 29159

CF

FA220 FA250 FA280 FA310 LF FA150 FA180 FA210 FA220 FA250 FA280 FA310 FT220 FT250 FT280 LF55
 FA55.170 FA55.180 FA55.210 FA55.220 FA55.250 FA55.280 FA55.290 FT55.180 FT55.220 FT55.250 FT55.280 FT55.290

WVA: 29253, 29278

75 CF

FA75CF250	FA75CF290	FA75CF320	FAG75CF250	FAN75CF250	FAG75CF290	FAN75CF290	FAG75CF320
FAN75CF320	FAR75CF250,	FAS75CF250	FAR75CF290	FAS75CF290	FAR75CF320	FAS75CF320	FAT75CF250
FAT75CF290	FAT75CF320	FT75CF250	FT75CF290	FT75CF320			

85 CF

FFA85CF340	FA85CF380	FA85CF430	FAC85CF340	FAC85CF380	FAC85CF430	FAD85CF340	FAD85CF380
FAD85CF430	FAG85CF340	FAN85CF340	FAG85CF380	FAN85CF380	FAG85CF430	FAN85CF430	FAR85CF340
FAR85CF380	FAR85CF430	FAS85CF340	FAS85CF380	FAS85CF430	FAT85CF340	FAT85CF380	FAT85CF430
FT85CF340	FT85CF380	FT85CF430	FTG85CF340	FTG85CF380	FTG85CF430	FTT85CF340	FTT85CF380
FTT85CF430							

95 XF

FA95XF380	FA95XF430	FA95XF480	FA95XF530	FT95XF380	FT95XF430	FT95XF480	FT95XF530
FTG95XF380	FTG95XF430	FTG95XF480	FTG95XF530				

CF

FA290	FA330	FA370	FA400	FA410	FA440	FA460	FA510	FAC400	FAC410	FAC440	FAC460	FAC510	FAD290	FAD330	FAD370
FAD400	FAD410	FAD440	FAD460	FAD510	FAN290	FAG290	FAN330	FAG330	FAN370	FAG370	FAN400	FAG400	FAN410	FAG410	FAN440
FAG440	FAN460	FAG460	FAN510	FAG510	FAQ400	FAX400	FAQ410	FAX410	FAQ440	FAX440	FAQ460	FAX460	FAQ510	FAX510	FAR290
FAS290	FAR330	FAS330	FAR370	FAS370	FAR400	FAS400	FAR410	FAS410	FAR440	FAS440	FAR460	FAS460	FAR510	FAS510	FAT290
FAT330	FAT370	FAT400	FAT410	FAT440	FAT460	FAT510	FT290	FT330	FT370	FT400	FT410	FT440	FT460	FT510	FTG400
FTG410	FTG440	FTG460	FTG510	FTP400	FTP410	FTP440	FTP460	FTP510	FTR410	FTR460	FTR510	FTS410	FTS460	FTS510	FTT400
FTT410	FTT440	FTT460	FTT510												

CF 65

FA65.180 FA65.220 FA65.250 FA65.280 FA65.300

CF 75

FA75.250	FA75.310	FA75.360	FAD75.250	FAD75.310	FAD75.360	FAG75.250	FAN75.250
FAG75.310	FAN75.310	FAG75.360	FAN75.360	FAR75.250	FAS75.250	FAR75.310	FAS75.310
FAR75.360	FAS75.360	FAT75.250	FAT75.310	FAT75.360	FT75.250	FT75.310	FT75.360

CF 85

FA85.340	FA85.360	FA85.380	FA85.410	FA85.430	FA85.460	FA85.480	FA85.510
FAC85.340	FAC85.360	FAC85.380	FAC85.410	FAC85.430	FAC85.460	FAC85.480	FAC85.510
FAD85.340	FAD85.360	FAD85.380	FAD85.410	FAD85.430	FAD85.460	FAD85.480	FAD85.510
FAG85.340	FAN85.340	FAG85.360	FAN85.360	FAG85.380	FAN85.380	FAG85.410	FAN85.410
FAG85.430	FAN85.430	FAG85.460	FAN85.460	FAG85.480	FAN85.480	FAG85.510	FAN85.510
FAN85.360	FAN85.410	FAN85.460	FAN85.510	FAQ85.360	FAQ85.410	FAQ85.460	FAQ85.510
FAR85.340	FAS85.340	FAR85.360	FAR85.360	FAS85.360	FAR85.380	FAS85.380	FAR85.410
FAR85.410	FAS85.410	FAR85.430	FAS85.430	FAR85.460	FAR85.460	FAS85.460	FAR85.480
FAS85.480	FAR85.510	FAR85.510	FAS85.510	FAT85.340	FAT85.360	FAT85.380	FAT85.410
FAT85.430	FAT85.460	FAT85.480	FAT85.510	FAX85.340	FAX85.360	FAX85.380	FAX85.410
FAX85.430	FAX85.460	FAX85.480	FAX85.510	FT85.340	FT85.360	FT85.380	FT85.410
FT85.430	FT85.460	FT85.480	FT85.510	FTG85.340	FTG85.360	FTG85.380	FTG85.410
FTG85.430	FTG85.460	FTG85.480	FTG85.510	FTP85.340	FTP85.380	FTP85.430	FTP85.480
FTR85.360	FTR85.360	FTP85.360	FTR85.410	FTR85.410	FTP85.410	FTR85.460	FTR85.460
FTP85.460	FTP85.510	FTP85.510	FTP85.510	FTS85.340	FTS85.380	FTS85.430	FTS85.480
FTT85.340	FTT85.360	FTT85.380	FTT85.410	FTT85.430	FTT85.460	FTT85.480	FTT85.510

LF 45

FA45.210

LF 55

FA55.160	FA55.180	FA55.220	FA55.250	FA55.290	FAN55.180	FAN55.220	FAN55.250
FAN55.290							

WVA: 29253, 29278

SB

SB3000

XF

FA410	FA440	FA460	FA510	FAD460	FAD510	FAN410	FAN440	FAN460	FAN510	FAR410	FAR410	FAS410	FAR440	FAR440	FAS440
FAR460	FAR460	FAS460	FAR510	FAR510	FASS510	FT410	FT440	FT460	FT510	FTG410	FTN410	FTG440	FTN440	FTG460	FTN460
FTG510	FTN510	FTM460	FTM510	FTP410	FTP410	FTR410	FTS410	FTP440	FTP440	FTR440	FTS440	FTP460	FTP460	FTR460	FTS460
FTP510	FTP510	FTR510	FTS510	FTT460	FTT510										

XF 105

FA105.410	FA105.460	FA105.510	FAD105.410	FAD105.460	FAD105.510	FAK105.410	FAK105.460
FAK105.510	FAN105.410	FAN105.460	FAN105.510	FAR105.410	FAR105.460	FAR105.510	FAS105.410,-
FAR105.410	FAS105.460	FAR105.460	FAS105.510	FAR105.510	FAT105.410	FAT105.460	FAT105.510
FT105.410	FT105.460	FT105.510	FTG105.410	FTG105.460	FTG105.510	FTM105.410	FTM105.460
FTM105.510	FTS105.410	FTR105.410	FTS105.460	FTR105.460	FTS105.510	FTR105.510	FTT105.410
FTT105.460	FTT105.510						

XF 95

FA95.380	FA95.430	FA95.480	FA95.530	FAD95.380	FAD95.430	FAD95.480	FAD95.530
FAK95.380	FAK95.430	FAK95.480	FAK95.530	FAN95.380	FAN95.430	FAN95.480	FAN95.530
FAR95.380	FAR95.430	FAR95.480	FAR95.530	FAS95.380	FAS95.430	FAS95.480	FAS95.530
FAT95.380	FAT95.430	FAT95.480	FAT95.530	FT95.380	FT95.430	FT95.480	FT95.530
FTG95.380	FTG95.430	FTG95.480	FTG95.530	FTM95.380	FTM95.430	FTM95.480	FTM95.530
FTP95.380	FTP95.430	FTP95.480	FTP95.530	FTR95.380	FTR95.430	FTR95.480	FTR95.530
FTS95.380	FTS95.430	FTS95.480	FTS95.530	FTT95.380	FTT95.430	FTT95.480	FTT95.530

95 XF

FA95XF380	FA95XF430	FA95XF480	FA95XF530	FT95XF380	FT95XF430	FT95XF480	FT95XF530
FTG95XF380	FTG95XF430	FTG95XF480	FTG95XF530				

WVA: 29088, 29285

LF45

FA45.130	FA45.140	FA45.150	FA45.160	FA45.160HYBRID	FA45.170	FA45.180	FA45.210	FA45.220	FA45.250
----------	----------	----------	----------	----------------	----------	----------	----------	----------	----------

WVA: 29132

Euro Cargo I-III

120E15K	120E18K	120E18	120E18P	120E18H	120E21H	120E23	120E23P
120E23FP	120E23H	130E15K	130E18K	135E18W	135E18WR	135E21W	135E23W
135E23WR	150E15K	150E18K	150E18	150E18P	150E23	150E23P	150E23FP
150E27	150E27P	150E27FP	150E27R	260E23T	280E23T	280E23	280E23P
320E27T	320E27	320E27P					

EuroFire

130E24	150E27
--------	--------

WVA: 29067

Euro Cargo I-III

100E15K	100E15	100E15 P	100E17K tector	100E17 DK tector	100E17	100E17 DP tector
100E18 tector	100E18K	100E18K tector	100E18K tector	100E18 DK tector	100E18 tector	100E18 P tector
100E18 FP tector	100E18 W tector	100E18 WS tector	100E18,100E18 P	100E21K tector	100E21 DK tector	100E21 W tector
100E21 WS tector	100E21	100E21 DP tector	100E22 tector	100E21	100E21 P	180E21K tector
180E21 T	80E15K	80E15	80E15 P	80E17K	80E17 DK tector	80E18K tector
80E17	80E17 D tector	80E17 DP tector	80E18 tector	80E18K	80E18K tector	80E18 DK tector
80E18 tector	80E18 D tector	80E18 DP tector	80E18 tector	80E18 P tector	80E18 FP tector	80E18
80E18 P	18E 80 FP	80E21K	80E21 DK tector	80E22K tector	80E21	80E21 D tector
80E21 DP tector	80E22 tector	80E21	80E21 P	21E 80 FP	80E21	80E21 P
80E21 FP	80EL15 tector	80EL16 tector	80EL16 P tector	90E17K tector	90E17 DK tector	90E17
90E17D tector	90E17 DP tector	90E18 tector	90E18K tector	90E18 DK tector	90E18 tector	90E18 D tector
90E18 DP tector	90E21K tector	90E21 DK tector	90E21	90E21 D tector	90E21 DP tector	90E22 tector

Zeta

109-14	109-14H	60-11	60-11V	65-12	65-12H	65-12V	65-9	79-12	79-12H	79-12V	79-14	79-14H	79-14V	95-14	95-14H
--------	---------	-------	--------	-------	--------	--------	------	-------	--------	--------	-------	--------	--------	-------	--------

WVA: 29087, 29059, 29061, 29108, 29163, 29179, 29201, 29105, 29106, 29108, 29109, 29154, 29253, 29278

Euro Cargo I-III

150E18K tector	150E18 tector	150E18 tector	150E18P tector	150E18FP tector	150E21K tector	150E21 tector
150E21P tector	150E21FP tector	150E22K tector	150E22 tector	150E22P tector	150E22FP tector	150E24K tector
150E24 tector	150E25 tector	150E25K tector	150E25W tector	150E25WS tector	150E28K tector	150E28 tector
150E28W tector	150E28WS tector	150E30K tector	150E30 tector	150E30P tector	150E30FP tector	180E21K tector
180E21 tector	180E24K tector	180E24	180E25 tector	180E25K tector	180E28K tector	180E28 tector
180E28P tector	180E30K tector	180E30 tector	180E30P tector			

Euro Star

LD190E38P	LD190E39P	LD190E39FP	LD190E40	LD190E42	LD190E42P	LD190E43	LD190E43P
LD190E43FP	LD190E47	LD190E52	LD240E38	LD240E42FS	LD240E42PS	LD240E47PS	LD240E52FS
LD260E38P	LD260E39P	LD260E39FP	LD260E40	LD260E42P	LD260E43Y/PS	LD260E43FP	LD260E47
LD260E48Y/PS	LD260E52	LD400E38TX/P	LD440E38TX/P	LD400E42TX/P	LD440E42TX/P	LD440E38T	LD440E38TZ
LD440E39T	LD440E39T/P	LD440E39TX	LD440E39TX/P	LD440E40T	LD440E40TX/P	LD440E42T/P	LD440E42TZ
LD440E43T/P	LD440E43TX/P	LD440E47T/P	LD440E47TZ	LD440E48T/P	LD440E52T	LD440E52TZ	

Euro Tech MH

190E24K	190E24	190E24/P	190E27K	190E27	190E27/P	190E30	190E30/P
190E31K	190E31	190E31/P	190E35	190E35/P	190E35/FP	260E24Y/P	260E24Y/PS
260E24Y/PT	260E27Y/P	260E27Y/PS	260E27RY/PS	260E27RY/PT	260E30Y/PS	260E31Y/P	260E31Y/PS
260E31Y/PT	260E35Y/P	260E35Y/PT	260E35Y/TN	400E31TP	440E31T	440E31TP	400E35TP
440E35T	440E35T/P	440E35T/FP	440E35TX/P	190E39	190E39/P	190E39/FP	190E40/P
190E42	190E42/P	190E43	190E43/P	240E30PS	260E38P	260E39Y	260E39Y/P
260E39Y/FP	260E39Y/FS	260E43Y	260E43Y/P	400E34T	440E34T	400E38T	440E38T
440E38T/P	400E38TXP	400E42T	440E42T	440E42T/P	440E38TZ	440E39T	440E39T/P
440E39T/FP-CT	440E39TX/P	440E40T/P	440E40TX/P	440E42TZ	440E43T	440E43T/P	440E43TX/P
180E24K	180E27K	180E30R	180E34R	190E24K	190E30K	400E30T	400E34T

WVA: 29087, 29059, 29061, 29108, 29163, 29179, 29201, 29105, 29106, 29108, 29109, 29154, 29253, 29278

Euro Trakker

MP180E24WCursor	MP180E25W	MP190E24HCursor	MP190E30H	MP190E30W	MP190E31HCursor	MP190E31WCursor	MP190E34H
MP190E34W	MP190E35HCursor	MP190E35WCursor	MP190E37H	MP190E37W	MP190E38WCursor	MP190E42H	MP190E42W
MP190E44WCursor	MP190E47W	MP260E27HCursor	MP260E30H	MP260E30W	MP260E31HCursor	MP260E31HBCursor	MP260E34H
MP260E34W	MP260E35HCursor	MP260E35WCursor	MP260E37H	MP260E37W	MP260E38HCursor	MP260E38WCursor	MP260E42H
MP260E42W	MP260E44HCursor	MP260E44WCursor	MP260E47H	MP260E47W	MP340E34H	MP340E35HCursor	MP340E35HBCursor
MP340E37H	MP340E38HCursor	MP340E38HBCursor	MP340E42H	MP340E44HCursor	MP340E44HBCursor	MP380E34H	MP380E34W
MP380E35HCursor	MP380E35WCursor	MP380E37H	MP380E37W	MP380E38HCursor	MP380E38HBCursor	MP380E38WCursor	MP380E42H
MP380E42W	MP380E44HCursor	MP380E44HBCursor	MP380E44WCursor	MP380E47H	MP380E47W	MP400E34HT	MP400E35HTCursor
MP400E37HT	MP400E37WT	MP400E42HT	MP400E42WT	MP410E35HCursor	MP410E37H	MP410E37W	MP410E38HCursor
MP410E38HBCursor	MP410E42H	MP410E42W	MP410E44HCursor	MP410E44HBCursor	MP410E47H	MP410E47W	MP440E34HT
MP440E37HT	MP440E38HTCursor	MP440E42HT	MP440E44HTCursor	MP440E47HT	MP720E37HT	MP720E37WT	MP720E38HTCursor
MP720E42HT	MP720E42WT	MP720E44HTCursor	MP720E47HT	MP720E48HTCursor			

Stralis

AD190S27	AT190S27	AD190S30	AD190S30	AD190S31	AT190S31	AD190S31	AT190S31	AD190S33	AT190S33	AD190S35	AD190S35	AT190S35	AD190S36	AT190S36	AD190S36	AD190S36
AT190S36	AD190S40	AT190S40	AD190S42	AT190S42	AS190S42	AD190S43	AT190S43	AD190S45	AT190S45	AD260S27CNG	AT260S27CNG	AD260S40	AT260S40	AD260S42	AT260S42	AD260S42
AD260S30	AT260S30	AD260S31	AT260S31	AD260S33	AT260S33	AD260S35	AT260S35	AD260S36	AT260S36	AD260S36	AD260S36	AD260S40	AT260S40	AD260S42	AT260S42	AD260S42
AT260S42	AD260S42	AT260S42	AS260S42	AD260S43	AT260S43	AD260S45	AT260S45	AD260S45	AT260S45	AS260S45	AD320S36	AT320S36	AD320S42	AT320S42	AD320S45	AT320S45
AD320S46	AT320S46	AD440S31	AT440S31	AD440S33	AT440S33	AD440S35	AT440S35	AD440S36	AT440S36	AD440S40	AT440S40	AD440S42	AT440S42	AD440S43	AT440S43	AD440S43
AD440S45	AT440S45	AS190S40	AS190S43	AS190S45	AS190S48	AS190S50	AS260S40	AS260S43	AS260S48	AS260S50	AS260S54	AS260S55	AS320S50	AS440S40	AS440S42	AS440S42
AS440S42	AT440S42	AS440S43	AS440S45	AS440S45	AT440S45	AS440S48	AS440S50	AS440S50	AT440S50	AS440S54	AS440S54	ES440S54	AS440S56	AS440S56	AS440S56	AT440S56
AT440S42	AT440S43	AT440S45	ES440S48	ES440S54												

Trakker

AD180T27W	AT180T27W	AD190T27	AT190T27	AD190T31W	AT190T31W	AD190T31	AT190T31
AD190T33W	AT190T33W	AD190T33	AT190T33	AD190T35W	AT190T35W	AD190T35W	AT190T36W
AD190T35W	AT190T35W	AD190T36W	AT190T36W	AD190T35	AT190T36	AD190T35	AT190T36
AD190T35	AT190T35	AD190T36	AT190T36	AD190T38W	AT190T38W	AD190T38	AT190T38
AD190T41W	AT190T41W	AD190T41	AT190T41	AD190T44W	AT190T44W	AD190T44W	AT190T45W
AD190T44W	AT190T44W	AD190T45W	AT190T45W	AD190T44	AT190T45	AD190T44	AT190T45
AD190T44	AT190T44	AD19T45	AT190T45	AD260T31B	AT260T31	AD260T31	AD260T33B
AD260T33	AT380T33	AD260T33	AT380T33	AD260T35B	AT260T35W	AD260T35W	AD260T35
AD260T36	AD380T36	AD260T35	AD260T36	AD380T36	AD260T35	AD260T35	AD260T36B
AD260T36W	AD380T36W	AD260T36W	AT380T36W	AD260T36	AT260T36	AD260T36	AT260T38
AD260T38B	AD260T38W	AT260T38W	AD260T38	AD260T38/P	AT260T38	AD260T38	AD260T41W
AT260T41W	AT380T41W	AD260T41	AD380T41	AT260T41	AT380T41	AD260T41W	AT260T44W
AD260T44	AD260T44/P	AT260T44	AD260T45W	AT260T45W	AT380T45W	AD260T45W	AD260T45
AD380T45	AT260T45	AT380T45	AD260T48	AT260T48	AD260T50	AD380T50	AT260T50
AT380T50	AD340T35B	AD340T35B	AD340T35	AT340T35	AD340T36B	AD340T36	AT340T36
AD340T38B	AT34T38B	AD340T41B	AD340T41	AT340T41	AD340T44B	AD340T44B	AD340T44
AT340T44	AD340T45B	AD340T45	AD340T45/P	AT340T45	AT34T45/P	AD340T45	AT340T45
AD340T50	AT340T50	AD380T35	AD380T36W	AT380T36W	AD380T38B	AD380T38W	AT380T38W
AD380T38	AT380T38	AD380T41W	AT380T41W	AD380T41	AT380T41	AD380T42W	AD380T44B
AD380T44W	AT380T44W	AD380T44	AT380T44	AD380T45W	AT380T45W	AD380T48	AD380T48
AD380T50	AT380T50	AD400T35T	AT400T35T	AD400T36T	AT400T36T	AD400T38T	AT400T38T
AD400T38WT	AT400T38WT	AD400T41T	AT400T41T	AD400T41WT	AT400T41WT	AD400T44T	AT400T44T
AD400T44WT	AT400T44WT	AD400T45T	AT400T45T	AD400T45WT	AT400T45WT	AD400T50T	AT400T50T
AD410T35	AD410T36	AT410T36	AD410T38	AD410T38B	AT410T38B	AD410T38H	AD410T41
AT410T41	AD410T44B	AT410T44B	AD410T44W	AT410T44W	AD410T44	AT410T44	AD410T45W
AD410T45	AT410T45	AD410T48B	AT410T48B	AD410T48	AT410T48	AD410T50	AT410T50
AD440T38T	AT440T38T	AD440T41T	AT440T41T	AD440T44B	AT440T44T	AD440T44T	AD440T45T
AT440T45T	AD440T50T	AT440T50T	AD720T38T	AT720T38T	AD720T38WT	AT720T38WT	AD720T41T
AT720T41T	AD720T41WT	AT720T41WT	AD720T44T	AT720T44T	AD720T44WT	AT720T44WT	AD720T45T
AT720T45T	AD720T45WT	AT720T45WT	AD720T48T	AT720T48T	AD720T50T	AT720T50T	AT720T50TP
AT720T50HT	AT340T38	AT340T38W	AT400T42HT	AT410T54T	AT720T42T	AT720T42WT	

WVA: 29253, 29278

Euro Cargo I-III

150E18K	150E18	150E18P	150E23	150E23P	150E23FP	150E27	150E27P
150E27FP	150E27R	160E30Ktector	160E30tector	160E30Ptector	170E15K	170E18K	180E18K 170E18
180E18	170E23K	180E23K	170E23	180E23	170E27	180E27	180E21Ktector
180E21tector	180E22tector	180E22Ptector	180E24Ktector	180E24	180E25tector	180E25Ktector	180E28Ktector
180E28tector	180E28Ptector	180E30Ktector	180E30tector	180E30Ptector	190E25tector	190E25Ptector	190E28tector
190E28Ptector	190E30tector	190E30Ptector	225E28tector	230E22tector	230E24tector	230E30tector	320E27T
320E28Ttector							

Euro Star

LD240E38	LD240E42FS	LD240E42PS	LD240E47PS	LD240E52PS	LD260E40	LD260E43Y/PS	LD260E 43FP
----------	------------	------------	------------	------------	----------	--------------	-------------

Euro Tech

190E24K	190E24	190E24/P	190E27K	190E27	190E27/P	190E30	190E30/P
190E31K	190E31	190E31/P	190E35	190E35/P	190E35/FP	260E24Y/P	260E24Y/PS
260E24Y/PT	260E27Y/P	260E27Y/PS	260E27RY/PS	260E27RY/PT	260E30Y/PS	260E31Y/P	260E31Y/PS
260E31Y/PT	260E35Y/P	260E35Y/PT	260E35Y/TN	400E31TP	440E31T	440E31TP	400E35TP 440E35T
440E35T/P	440E35T/FP						

WVA: 29253, 29278

Euro Tech MP

190E34	190E38	190E39	190E39/P	190E39/FP	190E40/P	190E42	190E42/P
190E43	190E43/P	240E30PS	240E38	240E42	260E38P	260E39Y	260E39Y/P
260E39Y/FP	260E39Y/FS	260E40	260E42	260E43Y	260E43Y/P	400E34T	440E34T
400E38T	440E38T	440E38T/P	400E42T	440E42T	440E42T/P4300	440E38TZ	440E39T
440E39T/P	440E39T/FP-CT	440E39TX/P	440E40T/P	440E40TX/P	440E42TZ	440E43T	440E43T/P
440E43TX/P	4500						

Euro Trakker

MP180E24WCursor	MP180E25W	MP190E24HCursor	MP190E30H	MP190E30W	MP190E31HCursor	MP190E31WCursor	MP190E34H
MP190E34W	MP190E35HCursor	MP190E35WCursor	MP190E37H	MP190E37W	MP190E38WCursor	MP190E42H	MP190E42W
MP190E44WCursor	MP190E47W	MP260E27HCursor	MP260E30H	MP260E30W	MP260E31HCursor	MP260E31HBCursor	MP260E34H
MP260E34W	MP260E35HCursor	MP260E35WCursor	MP260E37H	MP260E37W	MP260E38HCursor	MP260E38WCursor	MP260E42H
MP260E42W	MP260E44HCursor	MP260E44WCursor	MP260E47H	MP260E47W	MP340E34H	MP340E35HCursor	MP340E35HBCursor
MP340E37H	MP340E38HCursor	MP340E38HBCursor	MP340E42H	MP340E44HCursor	MP340E44HBCursor	MP380E34H	MP380E34W
MP380E35HCursor	MP380E35WCursor	MP380E37H	MP380E37W	MP380E38HCursor	MP380E38HBCursor	MP380E38WCursor	MP380E42H
MP380E42W	MP380E44HCursor	MP380E44HBCursor	MP380E44WCursor	MP380E47H	MP380E47W	MP400E34HT	MP400E35HTCursor
MP400E37HT	MP400E37WT	MP400E42HT	MP400E42WT	MP410E35HCursor	MP410E37H	MP410E37W	MP410E38HCursor
MP410E38HBCursor	MP410E42H	MP410E42W	MP410E44HCursor	MP410E44HBCursor	MP410E47H	MP410E47W	MP440E34HT
MP440E37HT	MP440E38HTCursor	MP440E42HT	MP440E44HTCursor	MP440E47HT	MP450E37	MP720E37HT	MP720E37WT
MP720E38HTCursor	MP720E42HT	MP720E42WT	MP720E44HTCursor	MP720E47HT	MP720E48HTCursor		

Stralis

450S33T	450S38T	450S42T	460S36T	490S38T	490S40T	490S42T	490S44T
490S46T	490S48T	500S33T	530S36T	570S38T	570S41T	570S42T	570S42TZ
570S46T	600S40T	600S44T	600S48T	600S56T	600S56TZ	740S42TZ	740S46TZ
800S44TZ	800S46TZ	800S48TZ	800S56TZ	AD190S27	AT190S27	AD190S30	AD190S30
AD190S31	AT190S31	AD190S31	AT190S31	AD190S33	AT190S33	AD190S35	AD190S35
AT190S35	AD190S36	AT190S36	AD190S36	AD190S36	AD190S40	AT190S40	AD190S42
AT190S42	AS190S42	AD190S43	AT190S43	AD190S45	AT190S45	AD190S46	AT190S46
AS190S46	AT190S48	AT190S48	AS190S48	AD260S27CNG	AT260S27CNG	AD260S27	AT260S27
AD260S30CNG	AD260S30	AT260S30	AD260S31	AT260S31	AD260S33	AT260S33	AD260S35
AD260S35	AT260S35	AD260S36	AT260S36	AD260S36	AT260S36	AD260S40	AT260S40
AD260S42	AD260S42	AD260S42	AT260S42	AS260S42	AD260S43	AT260S43	AD260S45
AT260S45	AD260S45	AT260S45	AS260S45	AD260S46	AT260S46	AS260S46	AD260S48
AT260S48	AS260S48	AD320S48	AT320S48	AT320S42	AD320S45	AT320S45	AD320S46
AT320S46	AD440S31	AD440S31	AD440S33	AT440S33	AD440S35	AT440S35	AD440S36
AT440S36	AD440S40	AT440S40	AD440S42	AT440S42	AD440S42	AT440S42	AS440S42
AD440S43	AT440S43	AD440S45	AT440S45	AD440S46	AT440S46	AS440S46	AD440S48
AT440S48	AS440S48	AS190S40	AS190S43	AS190S45	AS190S48	AS190S50	AS260S40
AS260S43	AS260S48	AS260S50	AS260S54	AS260S56	AS320S50	AS440S40	AS440S42
AS440S42	AT440S42	AS440S43	AS440S45	AS440S45	AT440S45	AS440S46	AS440S48
AS440S50	AS440S50	AT440S50	AS440S54	AS440S54	ES440S54	AS440S56	AS440S56
AT440S56	AT440S33CNG	AT440S42	AT440S43	AT440S45	AT440S46	AT440S48	ES440S48
ES440S54 Strator	ASN440S42T	ASN440S42TX	ASN440S45T	ASN440S45TX	ASN440S50T	ASN440S50TX	ASN440S50TZ
ASN440S56T	ASN440S56TX	ASN440S56TZ					

Zeta

79-13 A60-9 A70-12 A70-14

WVA: 29256

Euro Cargo I-III

75E14Ktector	75E14tector	75E14Ptector	75E16Ktector	75E16tector	75E16Ptector	75E18Ktector	75E18tector
75E18Ptector	80E18tector	80E18Ptector	80E18FPtector				

Euro Fire

80 E 18 tector

WVA: 29256

Euro Cargo I-III

120E18K tector	120E18DK tector	130E18D tector	130E18DP tector	130E18K tector	130E18DK tector
130E18 tector	130E18D tector	130E18DP tector	130E21K tector	130E21 tector	130E21P tector
130E21FP tector	130E24K tector	130E24DK tector	130E24 tector	130E24D tector	130E24DP tector
130E25D tector	130E25DP tector	130E25DK tector	130E28K tector	130E28 tector	140E18K
140E18K tector	140E18DK tector	140E18 tector	140E18P tector	140E18DFP tector	140E18W tector
140E18	140E18P	140E18FP	140E21K	140E21 tector	140E21FP
140E22K tector	140E22 tector	140E22P tector	140E22DFP tector	140E24K tector	140E24 tector
14E24P tector	140E24FP tector	140E24W tector	140E24WS tector	140E25K tector	140E25DK tector
140E25W tector	140E25WS tector	140E28K tector	140E28 tector	140E28P tector	140E28FP tector
140E28W tector	140E28WS tector	140E25 tector	140E25P tector	140E25FP tector	150E18K tector
150E18 tector	150E18 tector	150E18P tector	150E18FP tector	150E21K tector	150E21 tector
150E21P tector	150E21FP tector	150E22K tector	150E22 tector	150E22P tector	150E22FP tector
150E24K tector	150E24 tector	150E25 tector	150E25K tector	150E25W tector	150E25WS tector
150E28K tector	150E28 tector	150E28W tector	150E28WS tector	150E30K tector	
150E30 tector	150E30P tector	150E30FP tector	160E18K tector	160E18 tector	160E18P tector
160E21 tector	160E21P tector	160E22K tector	160E22 tector	160E22P tector	160E24 tector
160E24P tector	160E25K tector	160E25 tector	160E25P tector	160E28K tector	160E28 tector
160E28P tector	160E30K tector	160E30 tector	160E30P tector	180E22 tector	180E22P tector
320E28T tector	320E28 tector	150E28W tector	150E28WS tector	150E30K tector	150E30 tector,
150E30P tector	150E30FP tector	160E18K tector	160E18 tector	160E18P tector	160E21 tector
160E21P tector	160E22K tector	160E22 tector	160E22P tector	160E24 tector	160E24P tector
160E25K tector	160E25 tector	160E25P tector	160E28K tector	160E28 tector	160E28P tector
160E30K tector	160E30 tector	160E30P tector	180E22 tector		320E28T tector
320E28 tector					

Euro Fire

80 E 18 tector

WVA: 29094, 29093, 29095, 29197

Euro Cargo I-III

120E18K tector	120E18DK tector	130E18D tector	130E18DP tector	130E18K tector	130E18DK tector
130E18 tector	130E18D tector	130E18DP tector	130E21K tector	130E21 tector	130E21P tector
130E21FP tector	130E24K tector	130E24DK tector	130E24 tector	130E24D tector	130E24DP tector
130E25D tector	130E25DP tector	130E25DK tector	130E28K tector	130E28 tector	140E18K
140E18K tector	140E18DK tector	140E18 tector	140E18P tector	140E18DFP tector	140E18W tector
140E18	140E18P	140E18FP	140E21K	140E21 tector	140E21FP
140E22K tector	140E22 tector	140E22P tector	140E22DFP tector	140E24K tector	140E24 tector
14E24P tector	140E24FP tector	140E24W tector	140E24WS tector	140E25K tector	140E25DK tector
140E25W tector	140E25WS tector	140E28K tector	140E28 tector	140E28P tector	140E28FP tector
140E28W tector	140E28WS tector	140E25 tector	140E25P tector	140E25FP tector	150E18K tector
150E18 tector	150E18 tector	150E18P tector	150E18FP tector	150E21K tector	150E21 tector
150E21P tector	150E21FP tector	150E22K tector	150E22 tector	150E22P tector	150E22FP tector
150E24K tector	150E24 tector	150E25 tector	150E25K tector	150E25W tector	150E25WS tector
150E28K tector	150E28 tector	150E28W tector	150E28WS tector	150E30K tector	
150E30 tector	150E30P tector	150E30FP tector	160E18K tector	160E18 tector	160E18P tector
160E21 tector	160E21P tector	160E22K tector	160E22 tector	160E22P tector	160E24 tector
160E24P tector	160E25K tector	160E25 tector	160E25P tector	160E28K tector	160E28 tector
160E28P tector	160E30K tector	160E30 tector	160E30P tector	180E22 tector	180E22P tector
320E28T tector	320E28 tector	150E28W tector	150E28WS tector	150E30K tector	150E30 tector,
150E30P tector	150E30FP tector	160E18K tector	160E18 tector	160E18P tector	160E21 tector
160E21P tector	160E22K tector	160E22 tector	160E22P tector	160E24 tector	160E24P tector
160E25K tector	160E25 tector	160E25P tector	160E28K tector	160E28 tector	160E28P tector
160E30K tector	160E30 tector	160E30P tector	180E22 tector		320E28T tector
320E28 tector					

Euro Fire

130E24 tector 140E25 tector 150E24 tector 150E28 tector 160E30 tector

WVA: 29011

Euro Cargo I-III

170E15K 170E18K 180E18K 170E18 180E18 170E23K 180E23K 170E23 180E23 170E27 180E27 260E23KE 260E27KE

Euro Star

LD190E38P	LD190E42	LD190E42P	LD190E47	LD190E52	LD240E38	LD240E42FS	LD240E42PS
LD240E47PS	LD240E52PS	LD260E38P	LD260E42P	LD260E47	LD260E52	LD400E38TX/P	LD440E38TX/P
LD400E42TX/P	LD440E42TX/P	LD440E38T	LD440E38TZ	LD440E42T/P	LD440E42TZ	LD440E47TZ	LD440E52T
LD440E52TZ							

WVA: 29011

Euro Tech MH

190E24K	190E24	190E24/P	190E27K	190E27	190E27/P	190E30	190E30/P
190E31K	190E31	190E31/P	190E35	190E35/P	190E35/FP	260E24Y/P	260E24Y/PS
260E24Y/PT	260E27Y/P	260E27Y/PS	260E27RY/PS	260E27RY/PT	260E30Y/PS	260E31Y/P	260E31Y/PS
260E31Y/PT	260E35Y/P	260E35Y/PT	260E35Y/TN	400E31TP	440E31T	440E31TP	400E35TP
440E35T	440E35T/P	440E35T/FP	440E35TX/P				

Euro Tech MP

180E34	180E38	180E42	190E34	190E38	190E39	190E39/P	190E39/FP
190E40/P	190E42	190E42/P	190E43	190E43/P	240E30PS	240E34	240E38
240E42	260E38P	260E39Y	260E39Y/P	260E39Y/FP	260E39Y/FS	260E40	260E42
260E43Y	260E43Y/P	400E34T	440E34T	400E38T	440E38T	440E38T/P	400E38TXP
400E42T	440E42T	440E42T/P	440E38TZ	440E39T	440E39T/P	440E39T/FP-CT	440E39TX/P
440E40T/P	440E40TX/P	440E42TZ	440E43T	440E43T/P	440E43TX/P		

Euro Tech MT

180E24	180E24K	180E27	180E27K	180E30R	180E34R	190E24	190E24K	190E27	190E27K	190E30	190E30K	400E30T	400E34T
--------	---------	--------	---------	---------	---------	--------	---------	--------	---------	--------	---------	---------	---------

WVA: 29088

Euro Cargo I-III

120EL17	120EL17P tector	120E18	120EL18 tector	120EL21	120EL21P tector	120E22	120EL22tector
---------	-----------------	--------	----------------	---------	-----------------	--------	---------------

Euro Fire

120E22 tector

Applications For Vehicle

MAN

WVA: 29087, 29059, 29061, 29108, 29163, 29179, 29201, 29105, 29106, 29108, 29109, 29154, 29253, 29278

TGA

18.310	18.350	18.360	18.390	18.400	18.410	18.430	18.440	18.460	18.480	18.510	18.530	18.540	19.350	19.360	19.390
19.400	19.410	19.430	19.440	19.460	19.480	24.350	24.360	24.390	24.410	24.430	24.460	24.480	24.510	24.530	24.540
26.280	26.310	26.310	26.320	26.330	26.350	26.360	26.390	26.400	26.410	26.430	26.440	26.460	26.480	26.510	26.530
26.540	27.440	28.310	28.320	28.350	28.360	28.390	28.390	28.400	28.410	28.430	28.440	28.460	28.480	28.510	28.530
28.540	32.310	32.350	32.360												

TGM

15.240	15.250	15.280	15.290	15.330	15.340	18.240	18.250	18.280	18.290	18.330	18.340	22.240	22.250	22.280	22.290
26.280	26.290	26.330	26.340												

TGS

18.320	18.360	18.400	18.440	18.480	18.540	19.350	19.360	19.390	19.400	19.430	19.440	19.480	21.360	21.400	21.440
21.480	24.320	24.360	24.400	24.440	24.480	24.540	26.320	26.350	26.360	26.390	26.400	26.430	26.440	26.480	26.540
26.400	28.320	28.350	28.350	28.360	28.390	28.400	28.430	28.440	28.480	28.540	32.320	32.360	32.400	32.440	32.480
33.320	33.350	33.360	33.390	33.400	33.430	33.440	33.480	33.540	35.320	35.360	35.400	35.440	35.480	35.540	37.320
37.360	37.400	37.440	37.480	37.540	40.400	40.440	41.320	41.350	41.360	41.390	41.400	41.430	41.440	41.480	41.540

TGX

18.360	18.400	18.440	18.480	18.520	18.540	18.560	18.680	24.360	24.400	24.480	24.540	26.320	26.360	26.400	26.440
26.480	26.540	27.440	28.360	28.400	28.440	28.480	28.540	33.360	33.400	33.440	33.480	33.540	33.680	35.360	35.400
35.440	35.480	35.540	41.540	41.640	41.680										

WVA: 29131

TGA

19.480	18.310	18.350	18.360	18.380	18.390	18.400	18.410	18.420	18.430	18.440	18.460	18.480	18.510	18.530	18.540
19.350	19.360	19.390	19.400	19.410	19.430	19.440	19.460	24.350	24.360	24.380	24.390	24.410	24.420	24.430	24.460
24.480	24.510	24.530	24.530	24.540	26.280	26.310	26.330	26.350	26.360	26.380	26.390	26.410	26.420	26.410	26.420
26.430	26.440	26.460	26.480	26.510	26.530	26.540	27.440	28.310	28.320	28.350	28.360	28.390	28.400	28.410	28.430
28.440	28.460	28.480	28.510	28.530	28.540	32.310	32.350	32.360	32.390	32.410	32.430	32.460	32.480	33.350	33.360
33.390	33.410	33.430	33.440	33.460	33.480	33.510	33.530	35.310	35.350	35.360	35.390	35.400	35.410	35.430	35.440
35.460	35.480	35.530	37.310	37.350	37.360	37.390	37.410	37.430	37.460	37.480	37.530	39.390	39.400	39.430	39.440
39.480	40.390	40.390	40.410	40.430	40.440	40.460	40.480	41.350	41.360	41.390	41.400	41.410	41.430	41.440	41.460
41.480	41.530	41.540	41.660												

WVA: 29253, 29278

LIONCITY

A20	A21	A22	A23	A26	A35	A37	A39	A66
-----	-----	-----	-----	-----	-----	-----	-----	-----

LIONS REGIO

320	C320	360	C360	400	C400	L320	L360	L400
-----	------	-----	------	-----	------	------	------	------

TGA

18.310	18.350	18.360	18.380	18.390	18.400	18.410	18.420	18.430	18.440	18.460	18.480	18.510	18.530	18.540	19.350
19.360	19.390	19.400	19.410	19.430	19.440	19.460	19.480	24.350	24.360	24.380	24.390	24.410	24.420	24.430	24.460
24.480	24.510	24.530	24.540	26.280	26.310	26.330	26.350	26.360	26.380	26.390	26.400	26.410	26.420	26.430	26.430
26.440	26.460	26.480	26.510	26.530	26.540	27.440	28.310	28.320	28.350	28.360	28.390	28.400	28.410	28.430	28.440
28.460	28.480	28.510	28.530	28.540	32.310	32.350	32.360	32.390	32.410	32.430	32.460	32.480	33.350	33.360	33.390
33.410	33.430	33.440	33.460	33.480	33.510	33.530	35.310	35.350	35.360	35.390	35.400	35.410	35.430	35.440	35.460
35.480	35.530	37.310	37.350	37.360	37.390	37.410	37.430	37.460	37.480	37.530	39.390	39.400	39.430	39.440	39.480
40.390	40.390	40.410	40.430	40.440	40.460	40.480	41.350	41.360	41.390	41.400	41.410	41.430	41.440	41.460	41.480
41.530	41.540	41.660													

TGM

18.240	18.250	18.280	18.290	18.330	18.340	22.240	22.250	22.280	22.290	26.280	26.290	26.330	26.340
--------	--------	--------	--------	--------	--------	--------	--------	--------	--------	--------	--------	--------	--------

WVA: 29253, 29278

TGS

29.440	18.320	18.350	18.360	18.360	18.390	18.400	18.400	18.430	18.440	18.440	18.480	18.480	18.520	18.540	18.540
18.560	18.640	18.680	19.350	19.360	19.390	19.400	19.430	19.440	19.480	21.360	21.400	21.440	21.480	24.320	24.360
24.360	24.400	24.400	24.440	24.440	24.480	24.480	24.540	24.540	26.320	26.320	26.350	26.360	26.360	26.390	26.400
26.400	26.430	26.440	26.440	26.480	26.480	26.540	26.540	27.440	28.320	28.350	28.360	28.360	28.390	28.400	28.400
28.430	28.440	28.440	28.480	28.480	28.540	28.540	32.320	32.350	32.360	32.360	32.390	32.400	32.440	32.440	32.480
33.320	33.350	33.360	33.360	33.390	33.390	33.400	33.400	33.430	33.440	33.440	33.480	33.480	33.540	33.540	33.680
35.320	35.360	35.360	35.390	35.400	35.400	35.430	35.440	35.440	35.480	35.480	35.540	35.540	37.320	37.360	37.400
37.440	37.480	37.540	40.360	40.390	40.400	40.430	40.440	40.480	41.320	41.350	41.360	41.390	41.400	41.430	41.440
41.480	41.540	41.540	41.640	41.680											

WVA: 29279

TGA

18.310	18.350	18.360	18.390	18.400	18.410	18.430	18.440	18.460	18.480	18.510	18.530	18.540	19.350	19.360	19.390
19.400	19.410	19.460	19.480	24.350	24.360	24.390	24.410	24.430	24.430	24.460	24.480	24.480	24.510	24.530	24.530
24.540	26.280	26.310	26.330	26.350	26.360	26.390	26.400	26.410	26.430	26.440	26.460	26.480	26.510	26.530	26.540
28.310	28.320	28.350	28.360	28.390	28.400	28.410	28.430	28.440	28.460	28.480	28.510	28.530	32.310	32.350	32.360
32.390	32.410	32.430	32.460	32.480	33.350	33.360	33.390	33.410	33.430	33.440	33.460	33.480	33.510	33.530	35.310
35.350	35.360	35.390	35.400	35.410	35.430	35.440	35.460	35.480	35.530	37.310	37.350	37.390	37.410	37.430	37.460
37.480	37.530	41.350	41.360	41.390	41.400	41.410	41.430	41.440	41.460	41.480	41.530				

TGS

18.320	18.360	18.400	18.440	18.480	18.540	19.350	19.360	19.390	19.400	19.430	19.440	19.480	21.360	21.400	21.440
21.480	24.320	24.360	24.400	24.440	24.480	24.540	26.320	26.350	26.360	26.390	26.400	26.430	26.440	26.480	26.540
28.320	28.350	28.360	28.390	28.400	28.430	28.440	28.480	28.540	32.320	32.360	32.400	32.440	32.480	33.320	33.350
33.360	33.390	33.400	33.430	33.440	33.440	33.480	33.540	35.360	35.400	35.440	35.480	35.540	37.320	37.360	37.400
37.440	37.480	37.540	41.320	41.350	41.360	41.390	41.400	41.430	41.440	41.480	41.540				

TGX

18.360	18.400	18.440	18.480	18.520	18.540	18.560	18.680	24.360	24.400	24.440	24.480	24.540	26.320	26.360	26.400
26.440	26.480	26.540	28.360	28.400	28.440	28.480	28.540	33.360	33.400	33.440	33.480	33.540	41.540	41.640	41.680

WVA: 29094, 29093, 29095, 29197

M2000L

12.163	12.185	12.224	12.225	12.264	12.284	12.285	14.163	14.185	14.224	14.224	14.225	14.263	14.264	14.264	14.284
14.285	15.163	15.185	15.224	15.225	15.263	15.284	15.285	18.224	18.255	18.264	18.284	20.224	20.255	20.264	20.284

TGM

12.240	12.250	12.280	12.290	13.240	13.240	13.250	13.250	13.280	13.280	13.290	13.290				
--------	--------	--------	--------	--------	--------	--------	--------	--------	--------	--------	--------	--	--	--	--

WVA: 29148

L2000

8.103	8.113	8.145	8.153	8.155	8.163	8.185	9.145	9.153	9.155	9.163	9.185	10.145	10.153	10.155	10.163
10.185															

TGL

40.440	10.180	10.210	10.220	10.240	10.250	12.180	12.210	12.220	12.240	12.250	7.150	7.180	8.150	8.180	8.210
8.220	8.240	8.240	8.250												

WVA: 29030, 29113

E2000

26.310	26.360	26.410	26.410	26.460	26.460	26.460	33.360	33.360	33.360	33.410	33.410	33.410	33.460	33.460	33.460
33.600															

WVA: 29030, 29113

F2000

18.273	19.233	19.273	19.293	19.314	19.323	19.343	19.364	19.373	19.403	19.414	19.423	19.463	19.464	19.603	23.293
23.314	23.343	23.364	23.403	23.414	23.463	23.464	26.233	26.273	26.293	26.314	26.323	26.343	26.364	26.373	26.403
26.414	26.423	26.463	26.464	26.603	26.604	27.273	27.293	27.314	27.323	27.343	27.364	27.373	27.403	27.414	27.423
27.463	27.464	27.603	27.604	33.323	33.343	33.364	33.373	33.403	33.414	33.423	33.463	33.464	33.603	33.604	40.403
40.463															

F90

19.502	19.502	24.502	24.502	24.502	24.502	25.502	25.502	26.502	26.502	26.502	26.502	33.502
--------	--------	--------	--------	--------	--------	--------	--------	--------	--------	--------	--------	--------

M2000L

15.163	15.185	15.224	15.225	15.263	15.284	15.285	18.224	18.255	18.263	18.284	18.285	19.224	19.255	19.264	19.284
20.224	20.255	20.264	20.284	26.284	26.285										

M2000M

18.224	18.225	18.255	18.264	18.284	25.224	25.255	25.264	25.284
--------	--------	--------	--------	--------	--------	--------	--------	--------

TGA

18.310	18.350	18.360	18.380	18.390	18.400	18.410	18.420	18.430	18.440	18.460	18.480	18.510	18.530	18.540	19.350
19.360	19.390	19.400	19.410	19.430	19.440	19.460	19.480	24.350	24.360	24.380	24.390	24.410	24.420	24.430	24.460
24.480	24.510	24.530	24.540	26.280	26.310	26.330	26.350	26.360	26.380	26.390	26.400	26.410	26.420	26.430	26.440
26.460	26.480	26.510	26.530	26.540	27.440	28.310	28.320	28.350	28.360	28.390	28.400	28.410	28.430	28.440	28.460
28.480	28.510	28.530	28.540	32.310	32.350	32.360	32.390	32.410	32.430	32.460	32.480	33.350	33.360	33.390	33.410
33.430	33.440	33.460	33.480	33.510	33.530	35.310	35.350	35.360	35.390	35.400	35.410	35.430	35.440	35.460	35.480
35.530	37.310	37.350	37.390	37.410	37.460	37.480	37.530	39.390	39.400	39.430	39.440	39.480	40.390	40.410	40.430
40.440	40.460	40.480	41.350	41.360	41.390	41.400	41.410	41.430	41.440	41.460	41.480	41.530	41.540	41.660	

WVA: 29088

L2000

10.145	10.150	10.153	10.155	10.163	10.185	10.220	10.223	10.224	10.225	12.185	12.225	8.103	8.113	8.145	8.150
8.153	8.155	8.163	8.185	8.220	8.223	8.224	8.225	9.145	9.153	9.155	9.163	9.185	9.223	9.224	9.225

M2000

12.145	12.163	12.185	12.224	12.225	12.255	12.285	14.163	14.185	14.185	14.224	14.255	14.264
--------	--------	--------	--------	--------	--------	--------	--------	--------	--------	--------	--------	--------

M2000M

12.224	12.225	12.255	12.264	12.284	12.285	14.225	14.255	14.264	14.285	18.225	18.285	25.224	25.225	25.255	25.264
25.284	25.285														

WVA: 29043, 29050, 29051

Magnum

AE380.18	AE380.18T	AE380.26	AE380.26T	AE500.18	AE500.18T	AE500.26	AE500.26T
----------	-----------	----------	-----------	----------	-----------	----------	-----------

Major-R Series

R340ti.16/T	R340ti.17	R340ti.18	R340ti.18/T	R340ti.19	R340ti.19/T	R340ti.24	R340ti.26
R350.17	R350.17/T	R350.18	R350.18/T	R350.19	R350.19/T	R350.19/TB	R350.24
R350.26	R380.22/T	R380.25	R385ti.17	R380.17	R385ti	18,R380.18	R385ti.18/T
R380.18/T	R385ti.19	R380.19	R385ti.19/T	R380.19/T	R385ti.22/T	R380.19/TB	R385ti.24
R380.24	R385ti.25	R380.25	R385ti.25/T	R380.25/T	R385ti.26	R385ti.26	R380.26
R385ti.26/T	R380.26/T	R420ti.18/T	R420ti.19/T	R420ti.22/T	R420ti.24/TS	R420ti.26/TS	R420ti.35/TS

WVA: 29067

Midliner

S120.09/BCIT	S135.09/B	S150.09/B	S140.09/B	S150.09/B	S150.09/B	S135.09/B	S160.09/B
S160.09/BSP	S180.09/B	S180.09/BSP	S210.09/B				

WVA: 29099, 29100

Midliner

M150.12/C	M150.13/C	M180.12/C	M180.13/C	M210.12/C	M210.13/C	M250.13/C	M250.15/C,
M250.15/D							

Midlum

210.12/C	210.13/C	210.15/C	250.12/C	250.13/C	250.14/C	250.15/C	250.16/C
250.16/CT							

WVA: 29142, 29119

Midlum

210.12/C	220.12/C	210.13/C	220.13/C	220.13/D	210.14/C	220.14/C	220.14/D
210.16/C	220.16/C	22.16/D	220.14	220.15	220.16	270.12/C	270.13/C
270.13/D	270.14/C	270.14/D	270.16/C	270.16/C	270.16/D		

WVA: 29147, 29181, 29207

Midlum

160.10	190.10	220.10
--------	--------	--------

WVA: 29169

Magnum

DXi12440.18	DXi12440.18T	DXi12440.24	DXi12440.26	DXi12440.26T	DXi12480.18	DXi12480.18T	DXi12480.24
DXi12480.26	DXi12480.26T	DXi13460.24	DXi13460.25	DXi13460.26	DXi13460.26T	DXi13480.26	DXi13500.24
DXi13500.25	DXi13500.26	DXi13500.26T	DXi13520.24	DXi13520.25	DXi13520.26		

WVA: 29169

Premium 2

Distribution 280.26 Distribution 410.26 Lander 380.32 Lander 460.18 Route 410.18D Route 450.18D	Distribution 320.18 Distribution 430.18 Lander 430.18 Lander 460.26 Route 410.24 Route 450.24	Distribution 370.18D Distribution 430.19 Lander 430.26 Lander 460.32 Route 410.25 Route 450.25	Distribution 370.26 Distribution 430.26 Lander 430.32 Route 330.18T Route 410.26 Route 450.26	Distribution 380.18 Distribution 450.18D Lander 440.18 Route 380.18 Route 430.18 Route 460.18	Distribution 380.19 Distribution 460.19 Lander 440.19 Route 380.19 Route 430.19 Route 460.26	Distribution 380.26 Lander 380.19 Lander 440.26 Route 380.26 Route 430.26	Distribution 410.18D Lander 380.26 Lander 440.32 Route 410.18 Route 450.18
----------------------------------------------------------------------------------------------------------------	--------------------------------------------------------------------------------------------------------------	---------------------------------------------------------------------------------------------------------------	--------------------------------------------------------------------------------------------------------------	--------------------------------------------------------------------------------------------------------------	-------------------------------------------------------------------------------------------------------------	---------------------------------------------------------------------------------------	----------------------------------------------------------------------------------------

T-series

380PLOW 430PLOW 440TTAG 480P 520TLOW	380P 430TPUS 440TPUS 480PLOW 520TTAG	380PLOW 430TTAG 460PLOW 480TLOW 520TPUS	380TLOW 430TLOW 460P,460PLOW 480TTAG	380TTAG 440PLOW 460TLOW 480TPUS	380TPUS 440P 460TTAG 520PLOW	430PLOW 440PLOW 460TPUS 520P	430P 440TLOW 480PLOW 520PLOW
--------------------------------------------------	--------------------------------------------------	-----------------------------------------------------	-----------------------------------------------	------------------------------------------	---------------------------------------	---------------------------------------	---------------------------------------

WVA: 29173, 29203, 29272

D-series

12KP250 13P280 14KP250 16KP240 18KP250 18T280 26ACCESSP320	12KP280 13KP280 14P280 16P250 18P280 18T320 26P250	13P210 14KP250 14KP280 16KP250 18KP280 18T380 26KP250	13KP210 14P210 16KP250 16P280 18P320 18T430 26P280	13P240 14KP210 16KP280 16KP280 18P380 25P250 26KP280	13KP240 14P240 16P210 18ACCESSP280 18FG380 25P280 26P320	13P250 14KP240 16KP210 18ACCESSP320 18P430 25P320 26KP320	13KP250 14P250 16P240 18P250 18FG430 26ACCESSP280 7.5P180
------------------------------------------------------------------------------	----------------------------------------------------------------------	-------------------------------------------------------------------------	----------------------------------------------------------------------	------------------------------------------------------------------------	----------------------------------------------------------------------------	-----------------------------------------------------------------------------	-----------------------------------------------------------------------------

Midlum

160.12 280.16	190.12 280.18	190.13	190.14	190.16	220.13	220.16	240.12	240.13	240.14	240.15	240.16	240.18	280.12	280.13	280.14
------------------	------------------	--------	--------	--------	--------	--------	--------	--------	--------	--------	--------	--------	--------	--------	--------

WVA: 29174

C-series

250FGP 320FGP 380PK 430PK 460P 480PK	250FGPK 320FGPK 380PXLOAD 430PXLOAD 460PK 480T	250P 320P 380T 430T 460P 480TK	250PK 320PK 380TK 430TK 460PK 520P	280FGP 380FGP 430FGP 440P 460PXLOAD 520PK	280FGPK 380P 430P 440PK 460T 520T	280P 380PK 430PK 440T 460TK 520TK	280PK 380P 430P 440TK 480P
-----------------------------------------------------	---------------------------------------------------------------	-----------------------------------------------	---------------------------------------------------	----------------------------------------------------------	--------------------------------------------------	--------------------------------------------------	----------------------------------------

D-series

12KP250 13P280 14KP250 16KP240 18KP250 18T280 26ACCESSP320 PK	12KP280 13KP280 14P280 16P250 18P280 18T320 26P250 520T	13P210 14KP250 14KP280 16KP250 18KP280 18T380 26KP250 520TK	13KP210 14P210 16KP250 16P280 18P320 18T430 26P280	13P240, 14KP210 16KP280 16KP280 18P380 25P250 26KP280	3KP240 14P240 16P210 18ACCESSP280 18FG380 25P280 26P320	13P250 14KP240 16KP210 18ACCESSP320 18P430 25P320 26KP320	13KP250 14P250 16P240 18P250 18FG430 26ACCESSP280 7.5P180
------------------------------------------------------------------------------------	------------------------------------------------------------------------------	----------------------------------------------------------------------------------	----------------------------------------------------------------------	-------------------------------------------------------------------------	---------------------------------------------------------------------------	-----------------------------------------------------------------------------	-----------------------------------------------------------------------------

D-series

DXi12440.18 DXi12480.26 DXi13480.19 DXi13520.19	DXi12440.18T DXi12480.26T DXi13480.26 DXi13520.24	DXi12440.24 DXi13440.19 DXi13500.18T DXi13520.25	DXi12440.26 DXi13460.18T DXi13500.24 DXi13520.26	DXi12440.26T DXi13460.24 DXi13500.25	DXi12480.18 DXi13460.25 DXi13500.26	DXi12480.18T DXi13460.26 DXi13500.26T	DXi12480.24 DXi13460.26T DXi13520.18
----------------------------------------------------------	------------------------------------------------------------	-----------------------------------------------------------	-----------------------------------------------------------	--------------------------------------------	-------------------------------------------	---------------------------------------------	--------------------------------------------

WVA: 29174

Premium 2

Distribution 240.18D	Distribution 270.19	Distribution 280.18D	Distribution 280.26	Distribution 310.18	Distribution 310.26	Distribution 320.18	Distribution 320.18D
Distribution 320.26	Distribution 340.18	Distribution 340.19	Distribution 340.26	Distribution 370.18D	Distribution 370.26	Distribution 380.18	Distribution 380.19
Distribution 380.26	Distribution 410.18D	Distribution 410.26	Distribution 430.18	Distribution 430.19	Distribution 430.26	Distribution 450.18D	Distribution 460.19
Lander 270.18	Lander 270.19	Lander 310.19	Lander 310.26	Lander 340.18	Lander 340.19	Lander 340.26	Lander 380.19
Lander 380.26	Lander 380.32	Lander 430.18	Lander 430.26	Lander 430.32	Lander 440.18	Lander 440.19	Lander 440.26
Lander 440.32	Lander 460.18	Lander 460.26	Lander 460.32	Route 330.18T	Route 380.18	Route 380.19	Route 380.26
Route 410.18	Route 410.18D	Route 410.24	Route 410.25	Route 410.26	Route 430.18	Route 430.19	Route 430.26
Route 450.18	Route 450.18D	Route 450.24	Route 450.25	Route 450.26	Route 460.18	Route 460.26	

WVA: 29131

Magnum

AE 385ti.18T	AE 385ti.19	AE 385ti.19T	AE 385ti.24	AE 385ti.26	AE 390.18	AE 390.18T	AE 390.19 AE
390.19T	AE 390.26	AE 420ti.18	AE 420ti.18T	AE 420ti.19	AE 420ti.19T	AE 420ti.22T	AE 420ti.24
AE 420ti.24T	AE 420ti.26	AE 420ti.26T	AE 430.18	AE 430.18T	AE 430.19	AE 430.19T	AE 430.26 AE
430.26T	AE 470.18	AE 470.18T	AE 470.19	AE 470.19T	AE 470.26	AE 470.26T	AE 520.18 AE
520.18T	AE 520.19	AE 520.19T	AE 520.22T	AE 520.24	AE 520.24T	AE 520.26	AE 520.26T
AE 560.18	AE 560.18T	AE 560.19	AE 560.19T	AE 560.26	AE 560.26T	E.TECH 400.18	E.TECH 400.18T
E.TECH 400.24	E.TECH 400.26	E.TECH 440.18	E.TECH 440.18T	E.TECH 440.24	E.TECH 440.26	E.TECH 440.26T	E.TECH 480.18
E.TECH 480.18T	E.TECH 480.24	E.TECH 480.26	E.TECH 480.26T				

Midlum

220.18/D	270.18/D
----------	----------

Premium

Distribution 210.16	Distribution 210.18D	Distribution 210.19D	Distribution 250.16	Distribution 250.18D	Distribution 250.19	Distribution 260.16	Distribution 260.18
Distribution 260.19	Distribution 270.18	Distribution 300.16D	Distribution 300.18D	Distribution 300.19	Distribution 300.26D	Distribution 320.18	Distribution 320.18 D
Distribution 320.24D	Distribution 320.26D	Distribution 340.18D	Distribution 340.19D	Distribution 340.26D	Distribution 370.18	Distribution 370.18D	Distribution 370.24D
Distribution 370.26D	Distribution 400.18D	Distribution 420.18	Distribution 420.18D	Route 300.16	Route 300.18	Route 300.19	Route 320.18
Route 340.18	Route 340.19	Route 340.24	Route 340.26	Route 370.18	Route 370.24	Route 370.26	Route 385.18
Route 385.19	Route 385.24	Route 385.24T	Route 385.26	Route 385.26	Route 420.18	Route 420.18T	Route 420.24
Route 420.25	Route 420.26						

WVA: 29131

Iliade

FRH	GTX	GTXE	RTX	TX	GT	GTC	GTE
-----	-----	------	-----	----	----	-----	-----

Magnum

AE 385ti.18	AE 385ti.18T	AE 385ti.19	AE 385ti.19T	AE 385ti.24	AE 385ti.26	AE 390.18	AE 390.18T
AE 390.19	AE 390.19T	AE 390.26	AE 420ti.18	AE 420ti.18T	AE 420ti.19	AE 420ti.19T	AE 420ti.22T
AE 420ti.24	AE 420ti.24T	AE 420ti.26	AE 420ti.26T	AE 430.18	AE 430.18T	AE 430.19	AE 430.19T
AE 430.26	AE 430.26T	AE 470.18	AE 470.18T	AE 470.19	AE 470.19T	AE 470.26	AE 470.26T
AE 520.18	AE 520.18T	AE 520.19	AE 520.19T	AE 520.22T	AE 520.24	AE 520.24T	AE 520.26
AE 520.26T	AE 560.18	AE 560.18T	AE 560.19	AE 560.19T	AE 560.26	AE 560.26T	

Major

R 340ti.16/T	R 340ti.17	R 340ti.18	R 340ti.18/T	R 340ti.19	R 340ti.19/T	R 340ti.24	R 340ti.26
R 385ti.17	R 380.17	R 385ti.18	R 380.18	R 385ti.18/T	R 380.18/T	R 385ti.19	R 380.19
R 385ti.19/T	R 380.19/T	R 385ti.22/T	R 380.19/TB	R 385ti.24	R 380.24	R 385ti.25	R 380.25
R 385ti.25/T	R 380.25/T	R 385ti.26	R 385ti.26	R 380.26	R 385ti.26/T	R 380.26/T	R 420ti.18/T
R 420ti.19/T	R 420ti.22/T	R 420ti.24/TS	R 420ti.26/TS	R 420ti.35/TS			

WVA: 29131

Magnum

Distribution 210.16	Distribution 210.18D	Distribution 210.19D	Distribution 250.16	Distribution 250.18D
Distribution 250.19	Distribution 260.16	Distribution 260.18	Distribution 260.19	Distribution 270.18
Distribution 300.16D	Distribution 300.16T	Distribution 300.18D	Distribution 300.18D/T	Distribution 300.19
Distribution 300.19D/T	Distribution 300.26D	Distribution 320.18	Distribution 320.18 D	Distribution 320.24D
Distribution 320.26D	Distribution 340.18D	Distribution 340.18D/T	Distribution 340.19D	Distribution 340.19D/T
Distribution 340.26D	Distribution 370.18	Distribution 370.18D	Distribution 370.24D	Distribution 370.26D
Distribution 400.18D	Distribution 400.18D/T	Distribution 420.18	Distribution 420.18D	Route 300.16
Route 300.18	Route 300.18T	Route 300.19	Route 300.19T	Route 320.18
Route 340.18	Route 340.18T	Route 340.19	Route 340.19T	Route 340.24
Route 340.26	Route 370.18	Route 370.24	Route 370.26	Route 385.18
Route 385.18T	Route 385.19	Route 385.19T	Route 385.24	Route 385.24T
Route 385.26	Route 385.26	Route 420.18	Route 420.18T	Route 420.24
Route 420.25	Route 420.2			

WVA: 29088

Midlum

135.08/B	150.08/B	135.09/B	150.09/B	135.10/B	150.10/B	150.08/B	150.10/B
150.12/B	160.08	180.08/B	180.09/B	180.10/B	180.12	180.12/B	180.12/B
180.12/C	190.08	210.08/B	210.08/B	220.08/B	210.09/B	210.10/B	210.10/B
220.10/B	210.12/C	210.12/C	220.12/C	220.08	220.12	220.15	220.18/D
250.12/C	270.12/C						

WVA: 29090

Magnum

AE390.18	AE390.18T	AE390.19	AE390.19T	AE390.26	AE420ti.18	AE420ti.18T	AE420ti.19
AE420ti.19T	AE420ti.22T	AE420ti.24	AE420ti.24T	AE420ti.26	AE420ti.26T	AE430.18	AE430.18T
AE430.19	AE430.19T	AE430.26	AE430.26T	AE470.18	AE470.18T	AE470.19	AE470.19T
AE470.26	AE470.26T	AE520.18	AE520.18T	AE520.19	AE520.19T	AE520.22T	AE520.24
AE520.24T	AE520.26	AE520.26T	AE560.18	AE560.18T	AE560.19	AE560.19T	AE560.26
AE560.26T	E.TECH400.18	E.TECH400.18T	E.TECH400.24	E.TECH400.26	E.TECH440.18	E.TECH440.18T	E.TECH440.24
E.TECH440.26	E.TECH440.26T	E.TECH480.18	E.TECH480.18T	E.TECH480.24	E.TECH480.26	E.TECH480.26T	

Premium

Distribution210.16	Distribution210.19D	Distribution250.16	Distribution250.18D	Distribution250.19
Distribution260.16	Distribution260.18	Distribution260.19	Distribution300.16D	Distribution300.16T
Distribution300.18D	Distribution300.18D/T	Distribution300.19	Distribution300.19D/T	Distribution300.26D
Distribution340.18D	Distribution340.18D/T	Distribution340.19D	Distribution340.19D/T	Distribution340.26D
Distribution400.18D/T	Route300.16	Route300.18	Route300.18T	Route300.19
Route300.19T	Route340.18	Route340.18T	Route340.19	Route340.19T
Route340.24	Route340.26	Route385.18,400.18	Route385.18T,400.18T	Route385.19,400.19
Route385.19T,400.19T	Route385.24,400.24	Route385.24T,400.24T	Route385.26	Route385.26,400.26

WVA: 29087, 29059, 29061, 29108, 29163, 29179, 29201, 29105, 29106, 29108, 29109, 29154, 29253, 29278

4-Series

114C/330	114C/340	114C/380	114G/340	114G/380	114L/340	114L/380	124/G420
124C/360	124C/400	124C/420	124C/470	124G/360	124G/400	124G/420	124G/470
124L/360	124L/400	124L/420	124L/440	124L/470	144C/460	144C/530	144G/460
144G/530	144L/460	144L/530	164C/480	164C/580	164G/480	164G/580	164L/480
164L/580	94/G260	94C/260	94C/300	94C/310	94D/220	94D/230	94D/260
94D/270	94D/300	94D/310	94G/220	94G/260	94G/310	94L/310	T114C/340
T114C/380	T114G/340	T114G/380	T114L/340	T114L/380	T124C/360	T124C/400	T124C/420
T124G/360	T124G/400	T124G/420	T124L/360	T124L/400	T124L/420	T124L/470	T144C/460
T144C/530	T144G/460	T144G/530	T144L/460	T144L/530	T94C/260	T94C/310	T94G/220
T94G/230	T94G/260	T94G/310	T94L/310				

P,G,R,T-Series

G230	P230	G270	P270,	R270	G310	P310	G340	P340	R340	G360	P360	R360	G380	P380
R380	G400	P400	R400	G420	P420	R420	G440	R440	G470	P470	R470	G480	R480	P480
P230	R230	P260	P270	R270	P280	P300	P310	R310	P340	R340	P360	R360	P380	R380
P380	R380	P400	R400	P420	R420	P440	R440	P470	R470	P480	R480	P500	R500	P560
R560	P580	R580	P620	R620										

WVA: 29143, 29120

4-Series

114C/340	114C/380	114G/340	114G/380	114L/340	114L/380	124/G420	124C/360
124C/400	124C/420	124G/360	124G/400	124G/420	124L/360	124L/400	124L/420
124L/440	124L/470	144C/460	144C/530	144G/460	144G/530	144L/460	144L/530
164C/480	164C/580	164G/480	164G/580	164L/480	164L/580	94/G260	94C/260
94C/310	94D/220	94D/230	94D/260	94D/310	94G/220	94G/260	94G/310
94L/310	T114C/340	T114C/380	T114G/340	T114G/380	T114L/340	T114L/380	T124C/360
T124C/400	T124C/420	T124G/360	T124G/400	T124G/420	T124L/360	T124L/400	T124L/420
T124L/470	T144C/460	T144C/530	T144G/460	T144G/530	T144L/460	T144L/530	T94C/260
T94C/310	T94G/220	T94G/230	T94G/260	T94G/310	T94L/310		

WVA: 29253, 29278

4-series

114C/330	114C/340	114C/360	114C/380	114G/320	114G/330	114G/340	114G/360
114G/380	114L/340	114L/380	124/G420	124C/360	124C/400	124C/420	124C/470
124G/360	124G/400	124G/420	124G/470	124L/360	124L/400	124L/420	124L/440
124L/470	144C/460	144C/530	144G/460	144G/530	144L/460	144L/530	164C/480
164C/580	164G/480	164G/580	164L/480	164L/580	94/G260	94C/260	94C/300
94C/310	94D/220	94D/230	94D/260	94D/270	94D/300	94D/310	94G/220
94G/260	94G/270	94G/310	94L/310	T114C/340	T114C/380	T114G/320	T114G/330
T114G/340	T114G/360	T114G/380	T114L/340	T114L/380	T124C/360	T124C/400	T124C/420
T124G/360	T124G/400	T124G/420	T124L/360	T124L/400	T124L/420	T124L/470	T144C/460
T144C/530	T144G/460	T144G/530	T144L/460	T144L/530	T94C/260	T94C/310	T94G/220
T94G/230	T94G/260	T94G/310	T94L/310	94CL/230Ethanol	94CL/300		

Irizar

PBAra.35	Ara.37	12.92,13.87,15.37
----------	--------	-------------------

K-series

K230C	K250IB	K250UB	K270C Ethanol	K270 Ethanol	K280C	K310IA	K310IB
K310IB	K310UB	K320C	K360IB	K400IB	K410IB	K440IB	

P,G,R,T-series

G230	P230	G270	P270	R270	G310	P310	G340	P340	R340	G360	P360	R360	G380	P380	R380
G400	P400	R400	G410	P410	R410	G410	P410	R410	G420	P420	R420	G450	P450	R450	G450
R450	G470	P470	R470	G480	R480	P480	G490	R490	P230	R230	P250	P260	P270	R270	P280
P300	P310	R310	P320	P340	R340	P360	R360	P370	P380	R380	P400	R400	P410	P420	G420
P420	R420	P440	R440	P450	P470	R470	P480	R480	P500	R500	P550	P560	R560	P580	R580
P620	R620	R340	R360	R380	R400	R420	R440	R450	R470	R480	R500	R520	R560	P560	R580
P580	R620	R730	T470												

WVA: 29125

B-12

B12

B-9

B-9

FH

400 420 440 460 480 500 520 540

FH 12

FH12/340 FH12/380 FH12/420 FH12/460 FH12/500

FH16

FH16/470 FH16/520 FH16/540 FH16/540 FH16/550 FH16/550 FH16/580 FH16/600
 FH16/610 FH16/660 FH16/700

FL

FL180-10	FL180-11	FL180-12	FL180-13	FL180-14	FL180-15	FL180-16	FL180-17
FL180-18	FL180-7,5	FL180-8	FL180-9	FL220-10	FL220-11	FL220-12	FL220-13
FL220-14	FL220-15	FL220-16	FL220-17	FL220-18	FL220-7,5	FL220-8	FL220-9
FL250-10	FL250-11	FL250-12	FL250-13	FL250-14	FL250-15	FL250-16	FL250-17
FL250-18	FL250-7,5	FL250-8	FL250-9				

FM

FM300	FM330	FM340	FM360	FM370	FM380	FM390	FM400
FM410	FM420	FM440	FM450	FM460	FM480	FM500	FM10
FM10/320	FM10/360	FM12	FM12/340	FM12/380	FM12/420	FM12/460	FM12H/340
FM12H/380	FM12H/420	FM7	FM7/250	FM7/290	FM9	FM9/260	FM9/300
FM9/340	FM9/380						

FMX

330 370 380 410 420 450 460 500

NH12

NH12/380 NH12/420

WVA: 29125

FLII

FL240-12	FL240-14	FL240-15	FL240-16	FL240-18	FL260-12	FL260-14	FL260-15
FL260-16	FL260-18	FL280-12	FL280-14	FL280-15	FL280-16	FL280-18	FL290-12
FL290-14	FL290-16	FL290-18					

WVA: 29169

FH

400 420 440 460 480 500 520 540

FH 12

FH12/340 FH12/380 FH12/420 FH12/460 FH12/500

FH16

FH16/470 FH16/520 FH16/540 FH16/540 FH16/550 FH16/550 FH16/580 FH16/600
 FH16/610 FH16/660 FH16/700

FH16

FH16/540 FH16/550 FH16/600 FH16/650 FH16/700 FH16/750 FHI1420 460
 500 540

WVA: 29169

FM

FM300 FM410	FM330 FM420	FM340 FM440	FM360 FM450	FM370 FM460	FM380 FM480	FM390 FM500	FM400
----------------	----------------	----------------	----------------	----------------	----------------	----------------	-------

FMX

330	370	380	410	420	450	460	500
-----	-----	-----	-----	-----	-----	-----	-----

WVA: 29173, 29203, 29272

FL II

FL240-12 FL260-16 FL290-14	FL240-14 FL260-18 FL290-16	FL240-15 FL280-12 FL290-18	FL240-16 FL280-14	FL240-18 FL280-15	FL260-12 FL280-16	FL260-14 FL280-18	FL260-15 FL290-12
----------------------------------	----------------------------------	----------------------------------	----------------------	----------------------	----------------------	----------------------	----------------------

FL III

FL210-10 FL240-16 FL260-15 FL290-14	FL210-12 FL240-18 FL260-16 FL290-16	FL210-14 FL250-12 FL260-18 FL290-18	FL210-16 FL250-14 FL280-12	FL240-10 FL250-16 FL280-14	FL240-12 FL250-18 FL280-16	FL240-14 FL260-12 FL280-18	FL240-15 FL260-14 FL290-12
----------------------------------------------	----------------------------------------------	----------------------------------------------	----------------------------------	----------------------------------	----------------------------------	----------------------------------	----------------------------------

WVA: 29174

FE

FE240-18 FE300-18	FE240-22 FE300-26	FE240-26 FE320-18	FE260-18 FE320-22	FE260-26 FE320-26	FE280-18 FE340-18	FE280-22 FE340-26	E280-26
----------------------	----------------------	----------------------	----------------------	----------------------	----------------------	----------------------	---------

FE II

FE240-18 FE300-18 FE340-18	FE240-26 FE300-18HYBRID FE340-18HYBRID	FE250-18 FE300-26 FE340-26	FE250-26 FE300-26HYBRID FE340-26HYBRID	FE260-18 FE320-18	FE260-26 FE320-18CNG	FE280-18 FE320-26	FE280-26 FE320-26CNG
----------------------------------	----------------------------------------------	----------------------------------	----------------------------------------------	----------------------	-------------------------	----------------------	-------------------------

FH

400	420	440	460	480	500	520	540
-----	-----	-----	-----	-----	-----	-----	-----

FH 16

FH16/540 FH16/700	FH16/540 FH16II	FH16/550 FH16/540	FH16/550 FH16/550	FH16/580 FH16/600	FH16/600 FH16/650	FH16/610 FH16/700	FH16/660 FH16/750
----------------------	--------------------	----------------------	----------------------	----------------------	----------------------	----------------------	----------------------

FH II

420	460	500	540
-----	-----	-----	-----

FM

FM300 FM410	FM330 FM420	FM340 FM430	FM360 FM440	FM370 FM450	FM380 FM460	FM390 FM480	FM400 FM500
----------------	----------------	----------------	----------------	----------------	----------------	----------------	----------------

FMX

330 450	370 460	380 480	400 500	410 540	420	430	440
------------	------------	------------	------------	------------	-----	-----	-----

FM XII

330 540	370	380	410	420	450	460	500
------------	-----	-----	-----	-----	-----	-----	-----

B 10

B10M

B 12

B 12

Applications For Vehicle

Bova

WVA: 29087, 29059, 29061, 29108, 29163, 29179, 29201, 29105, 29106, 29108, 29109, 29154, 29253, 29278

Futura

FHD10 FLD104 FLD120	FHD12 FLD120 FLD127	FHD13 FLD127 FLD15 Magnum	FLD12 FHD12	FLD13 FHD13	FHD104 FHD14 Magnum	FHD120 FLD15 Magnum	FHD127 FLD104
---------------------------	---------------------------	---------------------------------	----------------	----------------	------------------------	------------------------	------------------

Lexio

LD123	LD130	LLD123-310	LLD130-310	LLD123-365	LLD130-365
-------	-------	------------	------------	------------	------------

Synergy

DD130	DD138	SDD130	SDD141	SDD130	SSD141
-------	-------	--------	--------	--------	--------

WVA: 29253, 29278

Futura

FHD 10 FLD 104 FLD 120	FHD 12 FLD 120 FLD 127	FHD 13 FLD 127 FLD 15 Magnum	FLD 12 FHD 12	FLD 13 FHD 13	FHD 104 FHD 14 Magnum	FHD 120 FLD 15 Magnum	FHD 127 FLD 104
------------------------------	------------------------------	------------------------------------	------------------	------------------	--------------------------	--------------------------	--------------------

Lexio

LD 123	LD 130	LLD 123-310	LLD 130-310	LLD 123-365	LLD 130-365
--------	--------	-------------	-------------	-------------	-------------

Magiq

HD 120 MHD 148 Magnum	HD 122	HD 131 Magnum	HD 139 Magnum	HD 122	MHD 131 Magnum	MHD 139 Magnum
--------------------------	--------	---------------	---------------	--------	----------------	----------------

Synergy

DD 130	DD 138	SDD 130	SDD 141	SDD 130	SSD 141
--------	--------	---------	---------	---------	---------

Magiq

HD 120 MHD 148 Magnum	HD 122	HD 131 Magnum	HD 139 Magnum	HD 122	MHD 131 Magnum	MHD 139 Magnum
--------------------------	--------	---------------	---------------	--------	----------------	----------------

WVA: 29747

Futura

FHD10 FLD104 FLD120	FHD12 FLD120 FLD127	FHD13 FLD127 FLD15Magnum	FLD12 FHD12	FLD13 FHD13	FHD104 FHD14Magnum	FHD120 FLD15Magnum	FHD127 FLD104
---------------------------	---------------------------	--------------------------------	----------------	----------------	-----------------------	-----------------------	------------------

WVA: 29131

Access Bus							
127	GX127	GX127L	GX127	GX127L	Proway	Recreo	
Agora							
AgoraL	AgoraS						
Arway							
10.6M	12M	12.8M	15M				
Axer							
12.8m	12m						
Citelis							
10.5CNG	12CNG	10.5	12	LINE	18	18CNG	
Crealis							
12CNG	2NEOCNG	12	12NEO	18CNG	18NEOCNG	18,	8NEO
Crossway							
10.6m	12m	12.8m	12m	12.8m			
Domino							
10.6m	12m	12.8m	12m	12.8m			
Evadys							
H12m	12.8m	HD12m					
Magelys							
HD							
Proway							
Short	Long						
Recreo							
12m	12.8m						

WVA: 29090

Accessbus 127							
GX127	GX127L	GX127	GX127L				
Citelis							
10.5CNG	12CNG	10.5	12	LINE	18	8CNG	
Crealis							
12CNG	12NEOCNG	12	12NEO	18CNG	18NEOCNG	18	18NEO

WVA: 29087, 29059, 29061, 29108, 29163, 29179, 29201, 29105, 29106, 29108, 29109, 29154, 29253, 29278

Cityliner

N116	N116/3HC	N1216HD	N1216HDC	
------	----------	---------	----------	--

Euroliner

N3316KL	N3316ÜL	N3316Ü	N3316K	N3318/3Ü
---------	---------	--------	--------	----------

Jetliner

N208	N213	N214	N216	N216
------	------	------	------	------

Megalinier

N128/4

Megashuttle

N4032/4

Skyliner

N122	N122/3	N122/3L
------	--------	---------

Spaceliner

N117	N117/3
------	--------

Sportliner

N208

Starliner

N516	N516/3	N5218SHD
------	--------	----------

Tourliner

N2216SHD	N2216SHDL
----------	-----------

Transliner

N314	N316	N321/3	N3516Ü	N3516/3ÜL
------	------	--------	--------	-----------

WVA: 29747

Jetliner

N 208	N 213	N 214	N 216	N 216
-------	-------	-------	-------	-------

N-Series

N 416 SL	N 416 SÜ
----------	----------

WVA: 29087, 29059, 29061, 29108, 29163, 29179, 29201, 29105, 29106, 29108, 29109, 29154, 29253, 29278

Series 300

S313UL S317GT-HD	S315H S317HD	S315UL S317HDH	S315NF S319GT-HD	S315GT	S315GT-HD	S315HD	S315HDH
---------------------	-----------------	-------------------	---------------------	--------	-----------	--------	---------

Series 400

ComfortClass S 415 GT ComfortClass S 419 GT-HD MultiClass S 415 UL MultiClass S 417 UL TopClass S 415 HDH	ComfortClass S 415 GT-HD MultiClass S 412 UL MultiClass S 416 H MultiClass S 419 UL TopClass S 416 HDH	ComfortClass S 416 GT-HD MultiClass S 415 H MultiClass S 416 NF TopClass S 411 HD TopClass S 431 DT	ComfortClass S 417 GT-HD MultiClass S 415 NF MultiClass S 416 UL TopClass S 415 HD
-----------------------------------------------------------------------------------------------------------------------	--------------------------------------------------------------------------------------------------------------------	-----------------------------------------------------------------------------------------------------------------	---------------------------------------------------------------------------------------------

WVA: 29253, 29278

Series 400

ComfortClassS415GT ComfortClassS417GT-HD MultiClassS415NF MultiClassS416UL TopClassS415HD TopClassS431DT	ComfortClassS415GT-HD ComfortClassS419GT-HD MultiClassS415UL MultiClassS417UL TopClassS415HDH	ComfortClassS416GT MultiClassS412UL MultiClassS416H MultiClassS419UL TopClassS416HDH	ComfortClassS416GT-HD MultiClassS415H MultiClassS416NF TopClassS411HD TopClassS417HDH
-------------------------------------------------------------------------------------------------------------------------	-----------------------------------------------------------------------------------------------------------	--------------------------------------------------------------------------------------------------	---------------------------------------------------------------------------------------------------

WVA: 29498

Series 200

S200 SG221UL	S208	S210H	S215HD	S215HDH	S215SL	S216HDS	SG221HDS
-----------------	------	-------	--------	---------	--------	---------	----------

Series 300

S300N	S300NC
-------	--------

WVA: 29087, 29059, 29061, 29108, 29163, 29179, 29201, 29105, 29106, 29108, 29109, 29154, 29253, 29278

Alpino

Alpino

Urbino

Urbino 10 Urbino 12 Urbino 15 Urbino 18 Urbino 9

Vacanza

Vacanza 12 Vacanza 13

WVA: 29253, 29278

Alpino

Alpino

Urbino

Urbino 10 Urbino 12 Urbino 15 Urbino 18 Urbino 9

Vacanza

Vacanza 12 Vacanza 13



NOMAD

SPARE PARTS

I.O.S.B Eskoop Sanayi Sitesi, A-3 Blok, No: 161-163
Başakşehir, İstanbul, TURKEY
Tel: +90 212 671 77 33
www.nomad.com.tr